

VERMEIREN

Provence - Languedoc Normandie - XXL

INSTRUCTION MANUAL
MODE D'EMPLOI
GEBRUIKSAANWIJZING
GEBRAUCHSANWEISUNG
ISTRUZIONI PER L'USO
MANUAL DE INSTRUCCIONES
INSTRUKCJA OBSŁUGI



EN Instructions to the specialist dealer

This instruction manual is part and parcel of the product and must accompany every product sold.

Version: B, 2016-01

All rights reserved, including translation.

No part of this manual may be reproduced in any form what so ever (print, photocopy, microfilm or any other process) without written permission of the publisher, or processed, duplicated or distributed by using electronic systems.

© N.V. Vermeiren N.V. 2016

FR Instructions pour les distributeurs

Ce manuel d'instructions fait partie du produit et doit accompagner chaque produit vendu.

Version : B, 2016-01

Tous droits réservés, y compris la traduction.

Aucune partie de ce manuel ne peut être reproduite, sous quelque forme que ce soit (imprimée, photocopie, microfilm ou tout autre procédé) sans l'autorisation écrite du publicateur, ni traitée, dupliquée ou distribuée à l'aide de systèmes électroniques.

© N.V. Vermeiren N.V. 2016

NL Instructies voor de vakhandelaar

Deze handleiding is deel van het product en dient bij iedere product te worden geleverd.

Versie: B, 2016-01

Alle rechten, inclusief vertaling, voorbehouden.

Niets uit deze handleiding mag geheel of gedeeltelijk in enige vorm (druk, fotokopie, microfilm of ieder ander procedé) zonder de schriftelijke toelating van de uitgever worden gereproduceerd of met behulp van elektronische systemen worden verwerkt, gekopieerd of verspreid.

© N.V. Vermeiren N.V. 2016

DE Hinweise für den Fachhändler

Diese Gebrauchsanweisung ist Bestandteil des Produkts und ist bei jeder Produkts auszuhändigen.

Version: B, 2016-01

Alle Rechte, auch an der Übersetzung, vorbehalten.

Kein Teil der Gebrauchsanweisung darf in irgendeiner Form (Druck, Fotokopie, Mikrofilm oder einem anderen Verfahren) ohne schriftliche Genehmigung des Herausgebers reproduziert oder unter Verwendung elektronischer Systeme verarbeitet, vervielfältigt oder verbreitet werden.

© N.V. Vermeiren N.V. 2016

IT Istruzioni per il rivenditore

Il presente Manuale di istruzioni è parte integrante del prodotto e deve essere fornito assieme alla prodotto.

Versione: B, 2016-01

Tutti i diritti riservati (anche sulla traduzione).

Il presente manuale non può essere riprodotto, neppure parzialmente, con alcun mezzo (stampa, fotocopia, microfilm o altro procedimento) senza l'autorizzazione scritta della casa produttrice, né elaborato, duplicato o distribuito con l'ausilio di sistemi elettronici.

© N.V. Vermeiren N.V. 2016

ES Instrucciones destinadas a los distribuidores especializados

El presente manual de instrucciones es parte integrante del producto y se debe adjuntar a todas las producto que se vendan.

Versión: B, 2016-01

Todos los derechos reservados, incluidos los de la traducción.

Se prohíbe la reproducción total o parcial del presente manual de cualquier forma (impresión, fotocopia, microfilm o cualquier otro procedimiento), así como la edición, copia o distribución empleando sistemas electrónicos, sin el permiso escrito del editor.

© N.V. Vermeiren N.V. 2016

PL Instrukcje dla wyspecjalizowanego sprzedawcy

Niniejsza instrukcja obsługi jest nieodłączną częścią produktu i musi być dołączona do każdego sprzedawanego produktu.

Wersja: B, 2016-01

Wszelkie prawa zastrzeżone, łącznie z tłumaczeniem.

Żadna część niniejszej instrukcji nie może być powielana w jakiegokolwiek formie (drukowanej, fotokopii, mikrofilmu ani innej) bez pisemnej zgody wydawcy, nie może być również przetwarzana, kopiowana ani rozprowadzana za pomocą systemów elektronicznych.

© N.V. Vermeiren N.V. 2016



Contents

Preface	2
1 Product description	3
1.1 Intended use.....	3
1.2 Technical specifications	4
1.3 Components.....	5
1.4 Explanation of symbols.....	6
1.5 Accessories.....	6
1.6 For your safety	6
2 Use	7
2.1 Carrying the comfort chair	7
2.2 Recommendations to use the comfort chair	8
2.3 Backrest inclination of Provence.....	9
2.4 Backrest inclination of Languedoc.....	10
2.5 Backrest inclination of Normandie, Normandie XXL	11
2.6 Adjusting the armrests.....	12
2.7 Running wheels / Parking brakes (only for Normandie + wheels)	12
2.8 Taking curbs by using ramps.....	13
2.9 Transport in the car.....	13
3 Installation and adjustment	14
3.1 Tools	14
3.2 Manner of delivery	14
3.3 Assembly comfort chair	14
4 Maintenance	16



Preface

First of all we want to thank you for putting your trust in us by selecting one of our products.

Vermeiren products are the result of many years of research and experience. During the development, special attention was given to the ease of use and the serviceability of the product.

The lifetime for the product is strongly influenced by the care and maintenance of the product.

This manual will help you get acquainted with the operation of your product.

Following the user instructions and the maintenance instructions are an essential part of the warranty.

This manual reflects the latest product developments. Vermeiren has the right to introduce changes without the obligation to adapt or replace previously delivered models.

For any further questions, please consult your specialist dealer.

1 Product description

1.1 *Intended use*

The Provence, Normandie, Languedoc comfort chair is developed entirely for your comfort.

The comfort chair is designed for sitting of 1 person.

Individuals who would like to use the comfort chair must at least have sufficient control of their torso and may not display any disruptions in their sense of balance if this affects side stability.

The comfort chair is suited **ONLY** for indoor use.

You will need a helper for indoor transporting of the Provence, Normandie, Languedoc, and the chair might also need its own storage place.

The different types of accessories, and the construction allow full use by persons disabled by:

- paralysis
- weak/malformed limbs (while maintaining control over the torso)
- injuries of the joints
- heart insufficiencies and poor blood circulation

The indication to use this product must take into account the following elements:

- body size and weight (**max. load 130 kg; 350 kg for XXL model**)
- physical and psychological condition
- home environment

The comfort chair should only be used on surfaces where all four wheels/legs are touching the ground and where there is sufficient contact to propel the wheels equally.

The comfort chair should not be used as a ladder, nor is it a transport for heavy or hot objects.

When used on mats, carpeted floors or loose floor coverings, the floor covering can get damaged.

It is necessary to choose the best fitted model for the size/build of the patient. The seat systems were formed according to ergonomic principles for your comfort.

Use only Vermeiren approved accessories.

The manufacturer is not liable for damage caused by the lack of or improper service or as a result of not following instructions from this manual.

Compliance with the user and maintenance instructions are an essential part of the guarantee conditions.

Visually impaired people can contact the dealer for the instructions for use.



1.2 Technical specifications

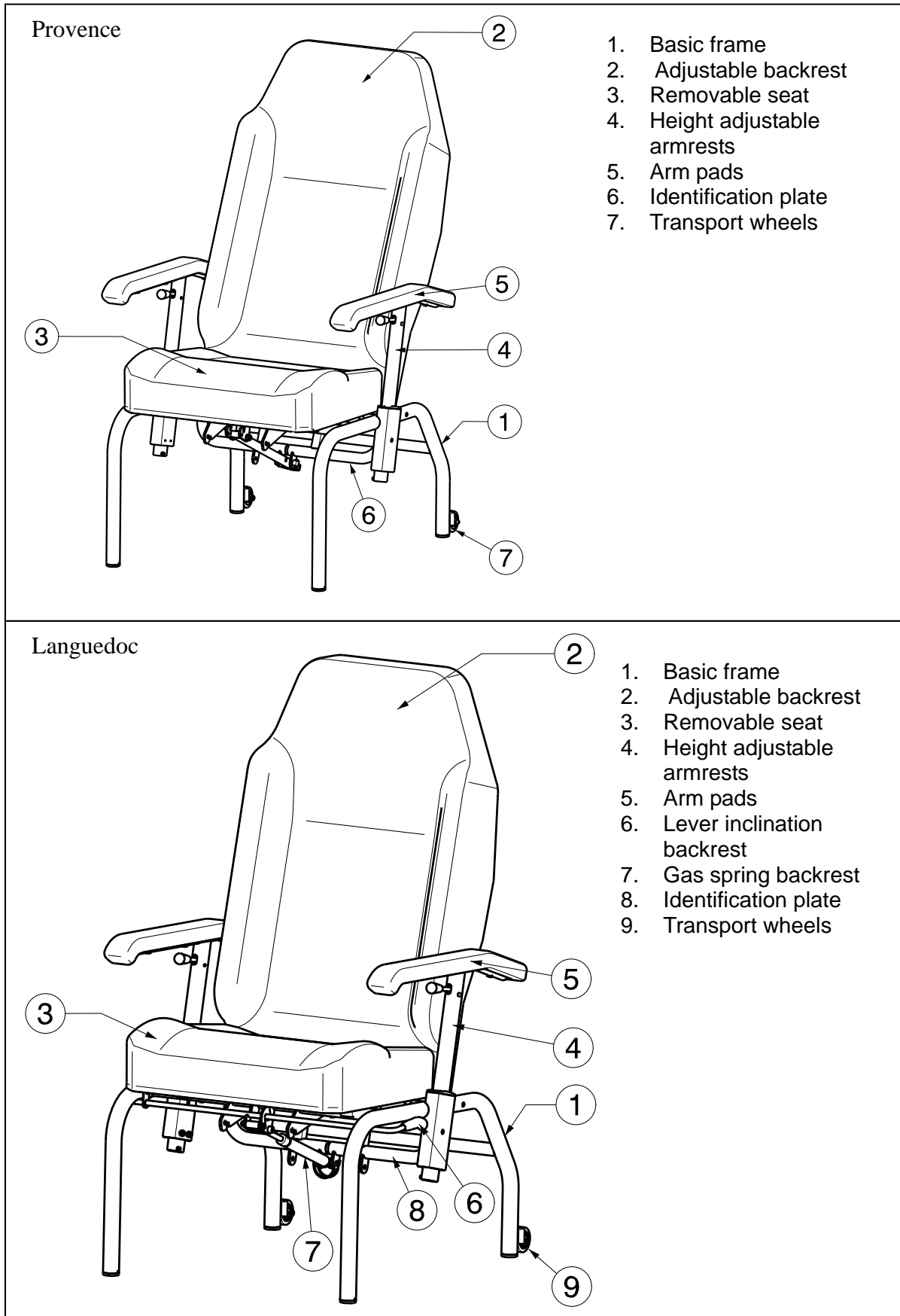
Technical terms below are valid for the product in standard settings and with the upholstery. If other accessories are used, the tabulated values will change.

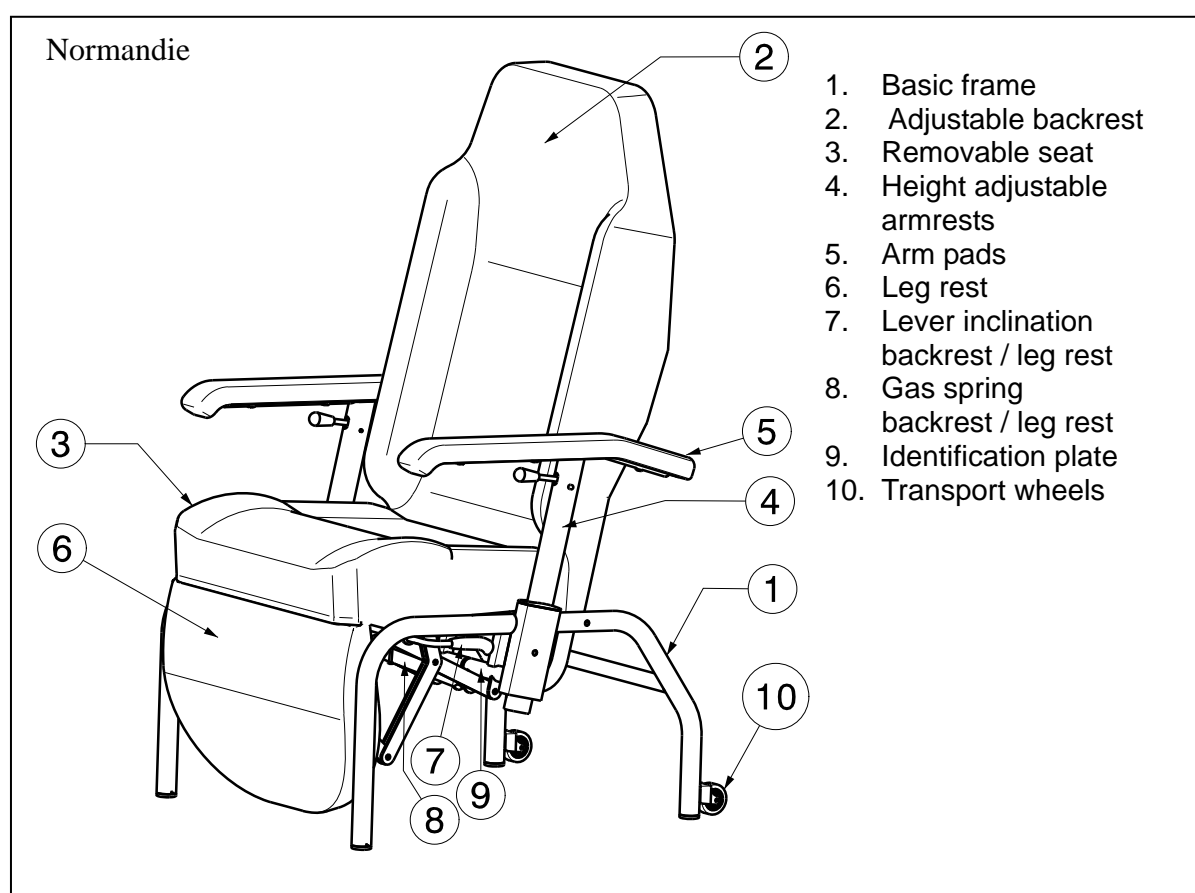
Make	Vermeiren				
Address	Vermeirenplein 1/15, B-2920 Kalmthout				
Type	Comfort chair				
Model	Provence	Languedoc	Normandie	Normandie XXL	
Maximum occupant mass	130 kg	130 kg	130 kg	350 kg	
Description	Min. - Max.	Min. - Max.	Min. - Max.	Min. - Max.	
Overall length	750 mm	750 mm	750 mm	760 mm	
Dismantled length	1080 mm	1080 mm	1080 mm	1080 mm	
Effective seat width	540 mm	540 mm	540 mm	770 mm	
Overall width	660 mm	660 mm	660 mm	890 mm	
Dismantled width	660 mm	660 mm	660 mm	890 mm	
Overall height	1150 mm	1200 mm	1200 mm	1200 mm	
Dismantled height	810 mm	810 mm	810 mm	810 mm	
Total mass	Approx. 21,85 kg	Approx. 22,85 kg	Approx. 24,85 kg	Approx. 37,75 kg	
Mass of heaviest part	19,10 kg	20,10 kg	22,10 kg	32,40 kg	
Masses of parts that can be dismantled or removed	Seat cushion: 2,75 kg	Seat cushion: 2,75 kg	Seat cushion: 2,75 kg	Seat cushion: 5,35 kg	
Static stability downhill	6% (in standard configuration)				
Static stability uphill	6% (in standard configuration)				
Obstacle climbing	Not applicable				
Seat plane angle	8°			7°	
Effective seat depth	440 mm	440 mm	440 mm	480 mm	
Seat surface height at front edge	510 mm	510 mm	510 mm	510 mm	
Thickness seat cushions	100 mm	100 mm	100 mm	100 mm	
Backrest angle	10° - 32°	13° - 45°	13° - 45°	13° - 40°	
Backrest height	780 mm	780 mm	780 mm	780 mm	
Distance between leg rest and seat	--	--	300 mm	360 mm	
Angle between seat and leg rest	--	--	0° - 90°	0° - 80°	
Armrests height	-1,5 mm (only for sideways transfer)				
	138 mm - 170 mm	138 mm - 170 mm	138 mm - 170 mm	138 mm - 220 mm	
Maximum space between wall and comfort chair	380 mm	380 mm	380 mm	380 mm	
Gas spring backrest / leg rest	--	--	150 N	850 N	
Storage and use temperature	+ 5 °C - + 40°C	+ 5 °C - + 40°C	+ 5 °C - + 40°C	+ 5 °C - + 40°C	
Storage and use humidity	30% - 70%	30% - 70%	30% - 70%	30% - 70%	
We reserve the right to introduce technical changes. Measurement tolerance ± 15 mm / 1,5 kg / °					

Table 1: Technical specifications

The comfort chair complies to the requirements set up in:
EN 1021-1, EN1021-2: Resistance to ignition of upholstered parts

1.3 Components





1.4 Explanation of symbols



Maximum mass



Indoor use only



CE conformity



Type designation

1.5 Accessories

Adjustable / Widened armrests

Pushbar (standard when equipped with steering castors)

Reclinable Footstool (For Provence and Languedoc)

Retractable footrest

Electric backrest inclination (For Normandie E)

1.6 For your safety

Take note of the following safety hints:

- ⚠ Follow the instructions for using your comfort chair.
- ⚠ To prevent injury of the hands and damage to the comfort chair, make sure that no objects and or body parts are caught between the adjustment systems (inclination of leg rest (only for Normandie), backrest, ...).
- ⚠ Regularly check that the wheel immobilizers function correctly (only for Normandie + wheels).

- ⚠ The parking brakes should be applied before getting into and out the comfort chair. (only for Normandie + wheels).
- ⚠ If you want to pick up something (lying in front of, on the side, or to the rear of the comfort chair), you should not lean too far out to avoid tipping over.
- ⚠ When moving through doors, arches, etc. ensure that there is enough room at the sides so there is no damage to the comfort chair.
- ⚠ When inclining the comfort chair make sure there is sufficient room around and above it. Otherwise the adjustment movements could lead damage or injury.
- ⚠ Only use your comfort chair according to regulations. For example, avoid uncontrolled rolling against obstacles (steps, curbs, doorframes, etc) or dropping down from ledges. The manufacturer cannot assume liability for damage caused by overloading, collision or other improper use.
- ⚠ When transporting the comfort chair, never pick it up by grasping movable parts (e.g. leg rest) or when the comfort chair is inclined.
- ⚠ Leave the comfort chair in the not inclined position when not using the comfort chair.
- ⚠ Do not sit on the leg rest or armrests.
- ⚠ Do not lean on the leg or backrest - risk of tipping over the comfort chair.
- ⚠ Never exceed the **maximum load**.
- ⚠ Use the comfort chair on level surfaces, with all 4 casters / legs contacting the ground.
- ⚠ Use only Vermeiren approved accessories, spare parts or gas springs.
- ⚠ Never open the gas compression springs: the inside pressure is very high and may result in injury!
- ⚠ If one of the gas compression springs is damaged, stop using the comfort chair immediately. Contact you specialist dealer and have the necessary repairs done without delay.

2 Use

This chapter describes the everyday use. **These instructions are for the user and the specialist dealer.**

The product is delivered fully assembled by your specialist dealer. The instructions intended for the specialist dealer on how to set up the comfort chair are given in § 3.

2.1 Carrying the comfort chair

To carrying the comfort chair place the backrest into the upright position.

The best way to carry the comfort chair is to make use of the wheels and roll the comfort chair (only for Normandie with wheels) or move the comfort chair backwards and roll them on the 2 transfer wheels to the desired place.

If this is not possible, firmly grasp the frame with two persons on the fixed parts in the front and back or on the side. Do not use the leg rest, armrests or the seat to grasp the comfort chair.

At least two persons are required for moving the chair up or down staircases or over single steps or landings, etc. Transporting the chair with the patient is impossible.

To prevent personal injury or damage to the product, there should be no people or objects under the comfort chair during transport.



2.2 Recommendations to use the comfort chair

2.2.1 Transfer in and out the chair

- ⚠ WARNING: Risk of tipping over – Be sure that the comfort chair do not tip over backwards when the comfort chair is placed in his most backwards position.**
- ⚠ CAUTION: In case you cannot perform the transfer in a safe manner, ask someone to assist you.**

The transfer from the patient in the comfort chair shall be according the instructions below:

1. Check brakes from the comfort chair are engaged (only for Normandie + wheels).
2. Place the comfort chair in his most position to the front (minimum inclination) with the adjusting levers.
3. Disengage the brakes.
4. Position the comfort chair as close as possible to the chair, couch or bed from you wish to transfer.
5. Check brakes from the comfort chair are engaged.
6. Transfer to the chair. Place the arm pad at the same height as the seat cushion for a sideways transfer (refer to paragraph 2.6).
7. Place the chair in his most backwards position (maximum inclination).

The transfer from the patient out the comfort chair shall be according the instructions below:

1. Check that the brakes from the comfort chair are engaged.
2. Place the comfort chair in his most position to the front (minimum inclination) with the adjusting levers.
3. Disengage the brakes.
4. Position the comfort chair as close as possible to the chair, couch or bed to you wish to transfer.
5. Transfer out the chair. Place the arm pad at the same height as the seat cushion for a sideways transfer (refer to paragraph 2.6).

2.2.2 Correct position in the chair

Some recommendations for a comfortable use of the chair:

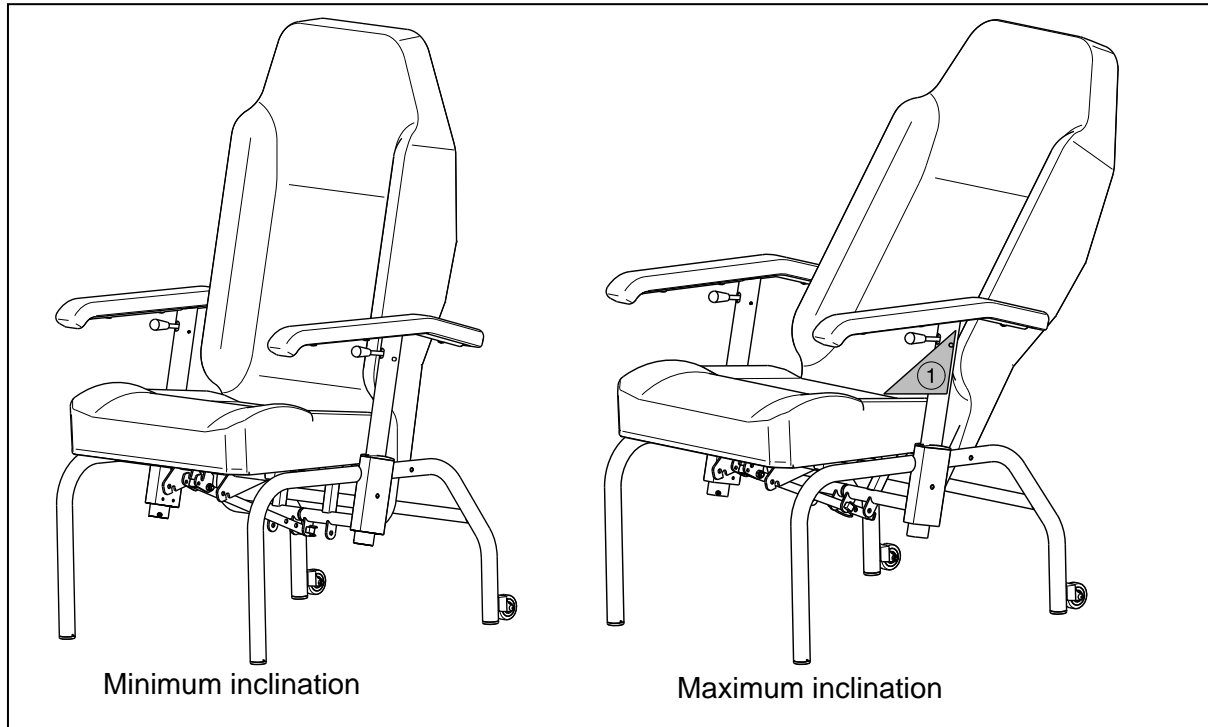
- Position your backside as close as possible to the backrest.

2.2.3 Moving/transporting the chair

- ⚠ WARNING: Risk of clamping – Be careful passing through restricted passages (e.g. doors).**
 - ⚠ WARNING: Risk of burns – Be careful when using in hot or cold environments for a sufficient amount of time and when touching - Surfaces can assume the environment temperatures.**
 - ⚠ WARNING: Risk of injury – There should be no people or objects under the comfort chair during transportation.**
1. Check brakes from the comfort chair are engaged (only for Normandie + wheels).
 2. Transfer the patient out the chair.
 3. Disengage the brakes.
 4. Transport the chair to the desired place on an horizontal underground.
 5. Engage the brakes.
 6. Transfer the patient in the chair.

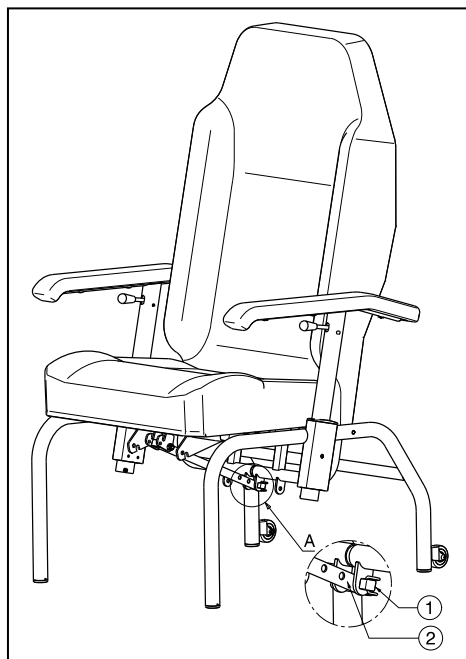
2.3 Backrest inclination of Provence

- ⚠ **WARNING:** Risk of tipping over – Be sure that the comfort chair do not tip over backwards when the comfort chair is placed in his most backwards position.
- ⚠ **WARNING:** Risk of injury – Make sure that no objects or individuals are in the adjusting area (see entrapment zones).
- ⚠ **WARNING:** Risk of injury – Do not place your fingers, clothes, buckles, cables or other objects between the entrapment zone.



The angle of the backrest can be adjusted with an adjusting tube.

Entrapment zones are indicated in the figure above with ①.

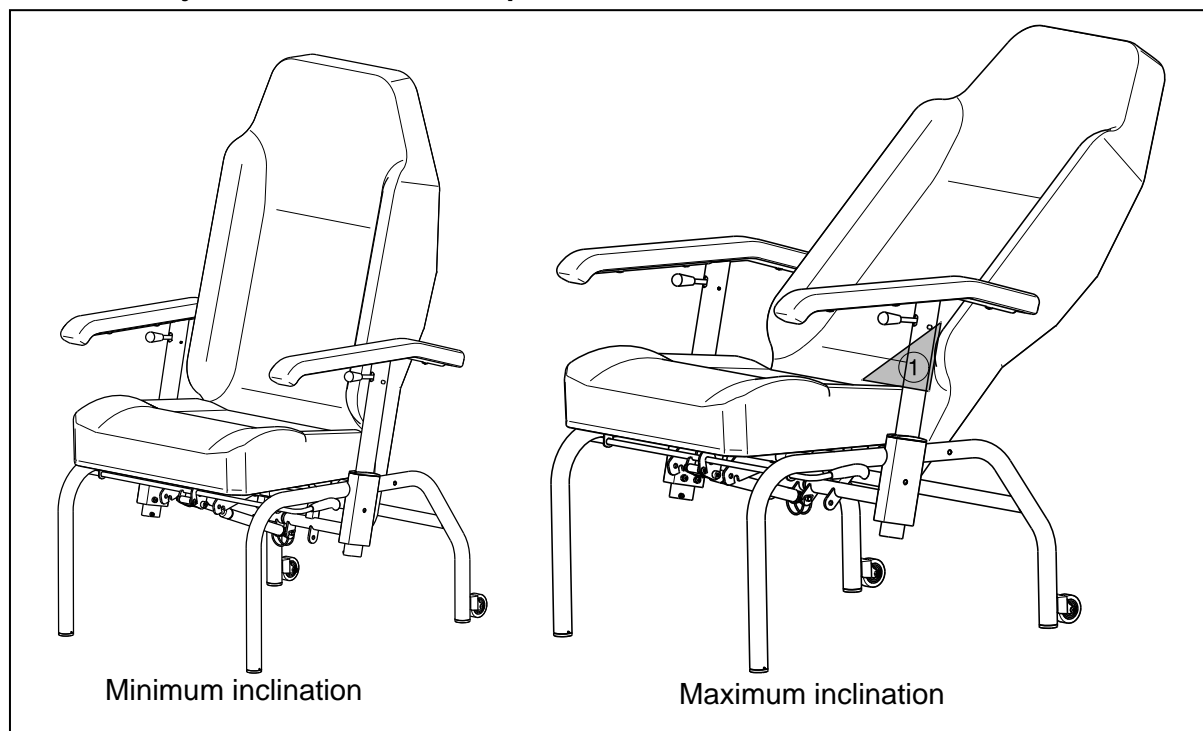


Inclination of the comfort chair:

1. The inclination of the comfort chair can be adjusted with the adjusting tube ② and the safety pin ① just below the seat of the comfort chair. (When inclining the comfort chair see that there is enough space between the comfort chair and the wall: 380 mm).
2. Remove the safety pin ①.
3. Move the backrest in the correct hole of the adjusting tube ② (3 different positions 10° - 32°: steps 11°).
4. Remount the safety pin ①.

2.4 Backrest inclination of Languedoc

- ⚠ **WARNING:** Risk of tipping over – Be sure that the comfort chair do not tip over backwards when the comfort chair is placed in his most backwards position.
- ⚠ **WARNING:** Risk of injury – Make sure that no objects or individuals are in the adjusting area (see entrapment zones).
- ⚠ **WARNING:** Risk of injury – Do not place your fingers, clothes, buckles, cables or other objects between the entrapment zone.



The angle of the backrest can be adjusted by means of a pneumatic gas spring.

Entrapment zones are indicated in the figure above with ①.

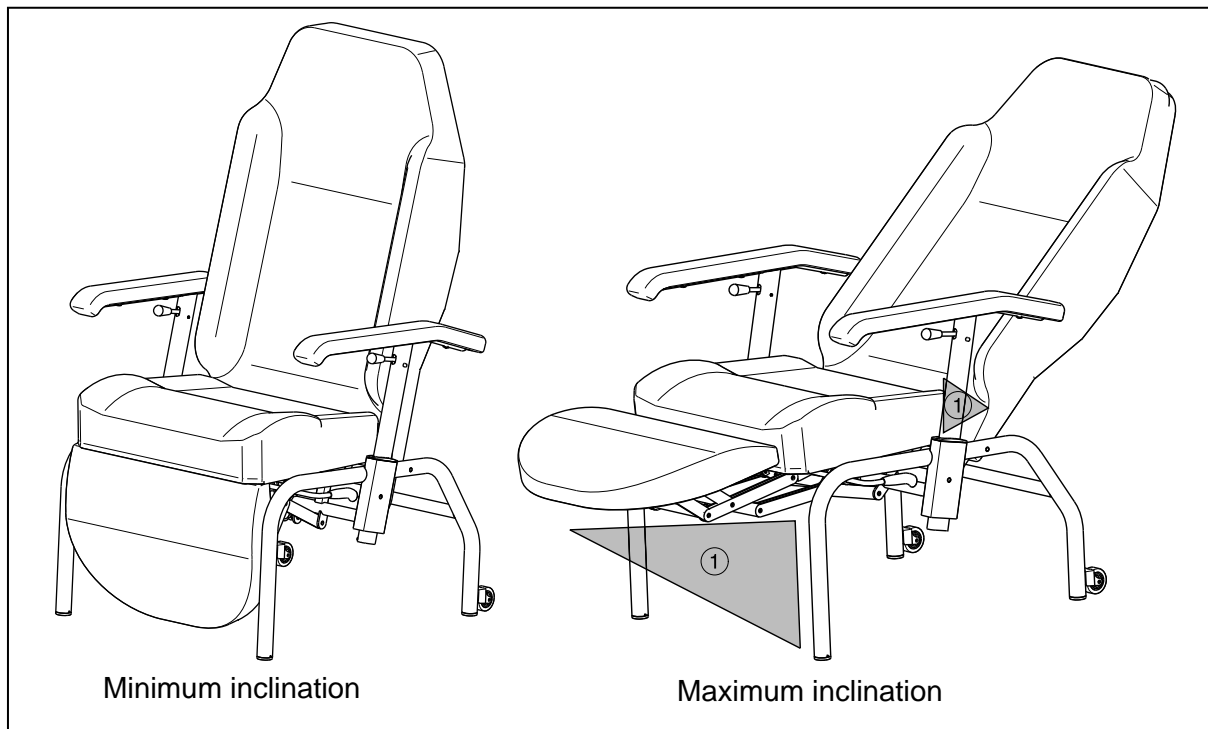
Inclination of the comfort chair:

1. The inclination of the comfort chair can be adjusted with the adjusting lever on the side next to the seat tubing at the height of the armrest socket. (When inclining the comfort chair see that there is enough space between the comfort chair and the wall: 380 mm).

Lightly pull up the lever, the pneumatic spring is released and the backrest can be moved into the desired position. If you let the lever go again, the pneumatic spring is blocked and the backrest stops at the desired position (backrest inclination: 13° - 45°).

2.5 Backrest inclination of Normandie, Normandie XXL

- ⚠ **WARNING:** Risk of tipping over – Be sure that the comfort chair do not tip over backwards when the comfort chair is placed in his most backwards position.
- ⚠ **WARNING:** Risk of injury – Check the brakes are engaged before changing the inclination of the comfort chair (only for Normandie + wheels).
- ⚠ **WARNING:** Risk of injury – Make sure that no objects or individuals are in the adjusting area (see entrapment zones).
- ⚠ **WARNING:** Risk of injury – Do not place your fingers, clothes, buckles, cables or other objects between the entrapment zone.



The angle of the backrest and the leg rest can be adjusted by means of a pneumatic gas spring.

Entrapment zones are indicated in the figure above with ①.

Inclination of the comfort chair:

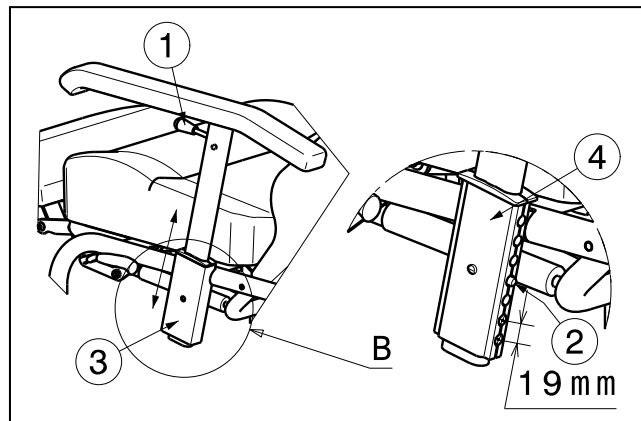
1. Engage the brakes (only for Normandie + wheels).
2. The inclination of the comfort chair can be adjusted with the adjusting lever on the side next to the seat tubing at the height of the armrest socket. (When inclining the comfort chair see that there is enough space between the comfort chair and the wall: 380 mm).

Lightly pull up the lever, the pneumatic spring is released and the backrest/leg rest can be moved into the desired position. If you let the lever go again, the pneumatic spring is blocked and the backrest/leg rest stops at the desired position (backrest inclination: 13° - 45°; leg rest inclination: 0° - 90°).

2.6 Adjusting the armrests

The armrests can be adjusted in height and can be lowered to the height of the seat frame for the sideways transfer of the patient.

Armrests adjusted in height:



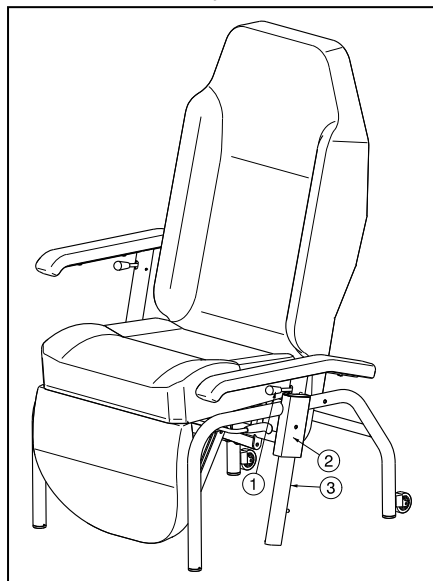
Pull the lever of the armrests ① upwards (in the direction of the arm pad).

The locking spring ② will then be released and the armrest can be moved within the armrest socket ③ into the desired position (Range 57 mm: 4 positions: steps 19 mm).

The 3 upper holes of the guide part ④ shall not be used.

⚠ WARNING: Risk of injury - If the locking spring ② is guided outside the armrest socket ③, the armrest is not locked. Use this position only for the sideways transfer of the patient.

Position sideways transfer of the patient:

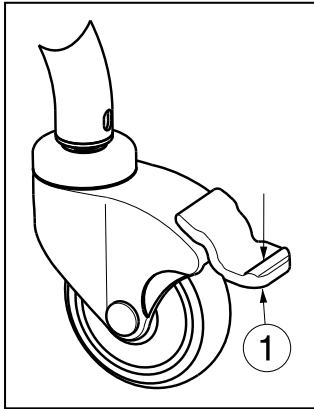


To lower the armrest for a sideways transfer, pull the lever ① and guide the armrest down to the lowest possible position.

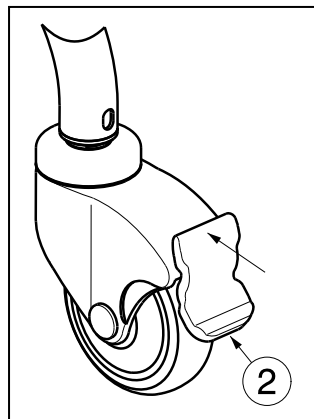
Now the arm pad comes at the same height of the seat cushion.

2.7 Running wheels / Parking brakes (only for Normandie + wheels)

- ⚠ WARNING: Risk of injury – Lock all four wheels in place to put the comfort chair in a parking position.**
- ⚠ WARNING: Good operation of the brakes is influenced by wear and contamination of the wheels (water, oil, mud, ...) – Check the condition of the wheels before each use.**
- ⚠ WARNING: The brakes are adjustable and can wear – Check the operation of the brakes before each use.**
- ⚠ CAUTION: Risk of unintended movement – Make sure the comfort chair is on a flat horizontal surface before releasing the brakes. Never release all the brakes simultaneously.**



- ① **Engaging the parking brakes**
With your foot, press the grey brake plate of the wheels downwards till it locks in place. The wheels cannot roll.



- ② **Disengaging the parking brakes**
With your foot, press the grey brake plate of the wheels in the direction of the frame. The wheels have now been released and can both roll and swivel.

2.8 Taking curbs by using ramps

⚠ WARNING: Risk of tipping over – Never go up or down ramps without the aid of a helper.

If you are considering the installation of ramps to overcome obstacles, kindly note the following:

The chair is intended firstly and mostly to be used inside on level and solid surfaces. Never go up or down ramps that are rough or have bumpy edges, or the comfort chair is not equipped with four rolling castors. Limit yourself to ascents or descents with a maximum angle of 6% (3°).

2.9 Transport in the car

⚠ WARNING: Risk of injury – See that the chair is attached properly in the car or the truck.

To transport the comfort chair in the car use following steps:

1. Remove accessories.
2. Store accessories safely.
3. Place the chair in the luggage place.
4. If the chair and the passenger compartment is NOT separated, attach the frame of the chair securely to the vehicle. You can use the available safety belts in the vehicle.

3 Installation and adjustment

The instructions in this chapter are for the specialist dealer.

To find a service facility or specialist dealer near you, contact the nearest Vermeiren facility. A list of Vermeiren facilities can be found on the last page.

- ⚠ **WARNING:** Risk of unsafe settings - Use only the settings described in this manual.
- ⚠ **WARNING:** Variation of allowed adjustments can still change the stability of your product (tilt back or sideways).

3.1 Tools

To set up the comfort chair no tools are needed.

3.2 Manner of delivery

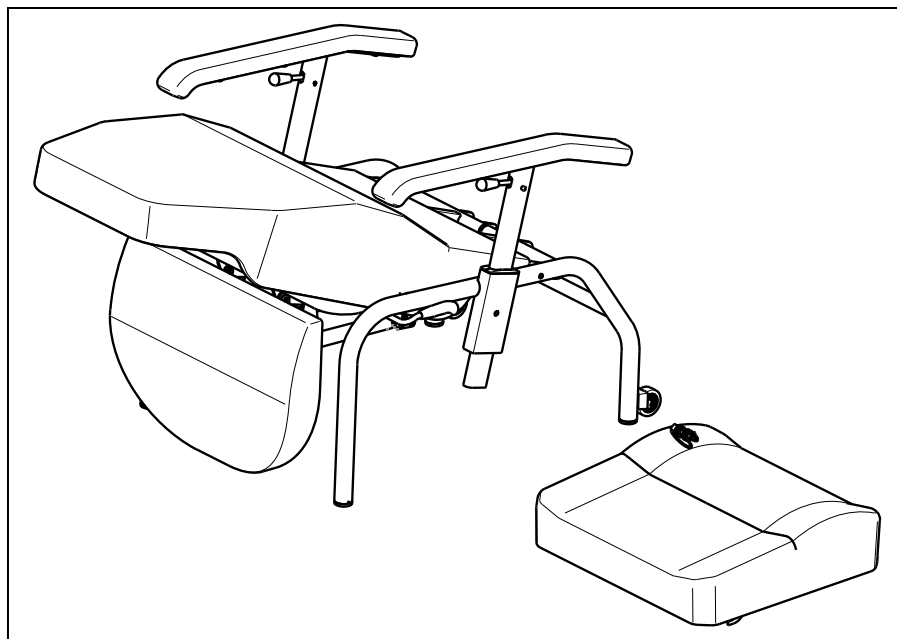
The Vermeiren product shall be delivered with:

- Frame with seat and backrest cushions
- Armrests
- Leg rest (only for Normandie and Normandie XXL)
- Gas springs (only for Languedoc, Normandie and Normandie XXL)
- Manual
- Two chipboard screws
- Accessories

Before use check if everything is included and that no products are damaged (example by transport, ...).

3.3 Assembly comfort chair

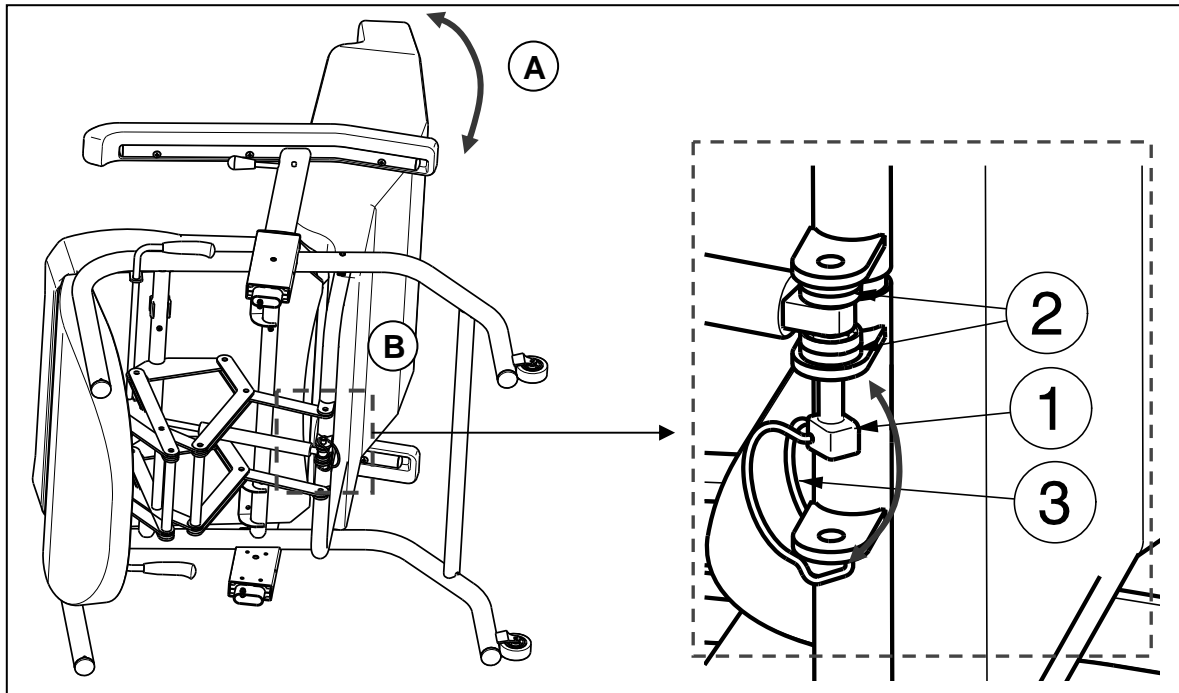
Your comfort chair shall be delivered like shown in the figure below. Use instructions below for the assembly of the comfort chair.



3.3.1 Mounting backrest

For assembly of the backrest, you should lay the model on a flat surface on its side.

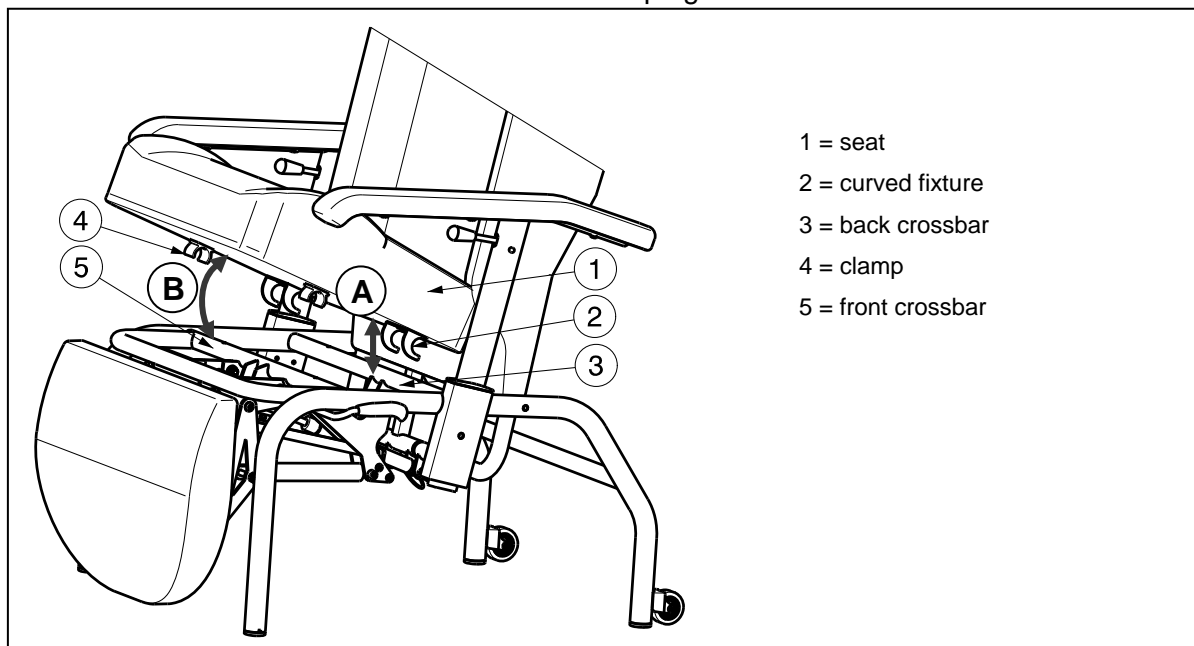
- (A)** Move the backrest backwards until the sockets on the lower back frame and the suspension eye of the pneumatic spring lie over one another.
- (B)** Guide the locking pin ① through the back sockets and the pneumatic spring. Two plastic washers ② are to be inserted before and after the pneumatic spring socket as a spacer guide. Afterwards, secure the locking pin ① by guiding the tension spring ③ over the pin until it projects out over the end of the spanning pin.



3.3.2 Mounting seat

⚠ WARNING: Risk of injury – Make sure that no objects or body parts come between the seat and the frame.

The seat is attached to the basic frame with clamping fixtures.



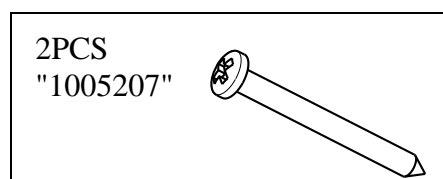
- A** Place the seat ① slightly diagonally with the curved fixture ② in such a way that this fixture grabs under the back crossbar of the basic frame ③.
- B** Press the seat ① down at the front so that the clamp ④ engages on the front crossbar of the basic frame ⑤.

Move the backrest a little bit backwards if you have not enough space to mount the seat cushion on the frame.

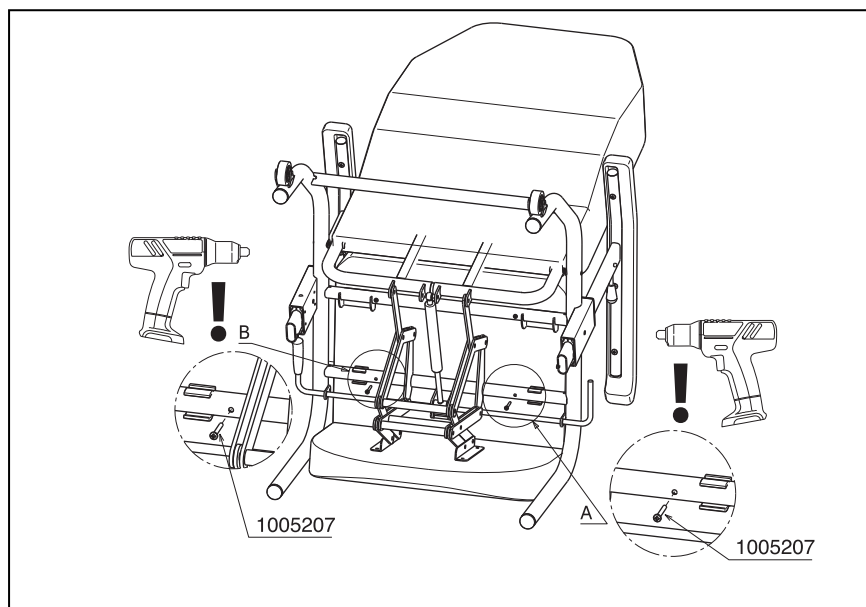
If you would like to remove the seat, proceed in the opposite order.

3.3.3 Fixation seat

Included in the delivery: two chipboard screws.



Assembly of two chipboard screws to fasten the seat cushion. Be aware that the seat cushion cannot be removed anymore out of the comfort chair. The chipboard screws can be mounted only once using a drill.



4 Maintenance

For the maintenance manual of the comfort chairs refer to the Vermeiren website: www.vermeiren.com.

Table des matières

Préface	2
1 Description du produit	3
1.1 Utilisation.....	3
1.2 Spécifications techniques.....	4
1.3 Composants.....	5
1.4 Explication des symboles.....	6
1.5 Accessoires.....	6
1.6 Règles de sécurité.....	6
2 Utilisation	7
2.1 Transport du fauteuil de repos.....	7
2.2 Recommandations pour utiliser le fauteuil de repos.....	8
2.3 Inclinaison du dossier Provence.....	9
2.4 Inclinaison du dossier Languedoc.....	10
2.5 Inclinaison du dossier Normandie, Normandie XXL.....	11
2.6 Réglage des accoudoirs.....	12
2.7 Roues / Freins de stationnement (uniquement pour Normandie + roues).....	12
2.8 Passage de marches via des rampes.....	13
2.9 Transport en voiture.....	13
3 Installation et réglage	14
3.1 Outils.....	14
3.2 Mode de livraison.....	14
3.3 Montage du fauteuil de repos.....	14
4 Maintenance	16

Préface

Nous tenons tout d'abord à vous remercier de nous avoir fait confiance en choisissant l'un de nos produits.

Les produits Vermeiren sont le résultat de nombreuses années de recherche et d'expérience. Au cours du développement, une attention spéciale a été portée sur la facilité d'utilisation et les possibilités d'entretien du produit.

La durée de vie attendue de votre produit est fortement influencée par l'entretien et la maintenance dont il bénéficie.

Ce manuel vous aidera à connaître le fonctionnement de votre produit.

Le respect des instructions d'utilisation et des instructions de maintenance est une condition essentielle de la garantie.

Ce manuel reflète les derniers développements du produit. Vermeiren est autorisé à apporter des modifications sans devoir pour autant adapter ou remplacer les modèles fournis précédemment.

Pour toute question, consultez votre distributeur.

1 Description du produit

1.1 Utilisation

Le fauteuil de repos Provence, Languedoc, Normandie a entièrement été développé pour votre confort.

Le fauteuil de repos est prévu pour 1 personne.

Les personnes souhaitant utiliser les fauteuils de repos doivent au minimum présenter un contrôle suffisant de leur corps et ne pas souffrir de trouble de l'équilibre, au niveau de la stabilité latérale.

Le fauteuil de repos est destiné à une utilisation en intérieur.

Vous aurez besoin d'une assistance pour le transport en intérieur, et le fauteuil peut avoir besoin de son propre endroit de stockage.

Les différents types d'accessoires et la construction permettent une utilisation complète par des personnes souffrant des handicaps suivant:

- paralysie,
- paralysies/faiblesses (en cas de conservation du contrôle du corps),
- lésions des articulations,
- insuffisances cardiaques et mauvaise circulation sanguine,

Quant aux contre-indications, il y a lieu de tenir compte des facteurs suivants:

- taille et poids (**charge max. 130 kg; 350 kg avec le modèle XXL**)
- d'état physique et psychologique,
- d'environnement de vie,

Votre fauteuil de repos ne doit être utilisé que sur des surfaces où les quatre roues/pieds touchent le sol et où le contact est suffisant pour entraîner les roues de manière équilibrée.

Le fauteuil de repos ne fait pas office d'engin d'escalade ou pour transporter des objets chauds ou lourds.

En cas d'utilisation sur des paillasons, moquettes ou revêtements de sols non fixés, le revêtement de sol peut être endommagé.

Il est nécessaire de choisir le modèle qui correspond au mieux à la taille et la corpulence du patient. Les systèmes de sièges ont été formés pour votre confort d'après des conditions d'ergonomie.

Utilisez uniquement des accessoires approuvés par Vermeiren.

Le fabricant n'est pas responsable des dommages causés par l'absence ou l'inadéquation de l'entretien, ou par le non-respect des instructions de ce manuel.

Le respect des instructions d'utilisation et des instructions de maintenance est une condition essentielle de la garantie.

Les personnes souffrant de problèmes visuels peuvent prendre contact avec le revendeur pour les instructions d'utilisation.

1.2 Spécifications techniques

Les spécifications techniques ci-dessous sont valides pour le produit avec ses réglages standard et revêtements. Lorsque d'autres accessoires sont utilisés, les données sont modifiées.


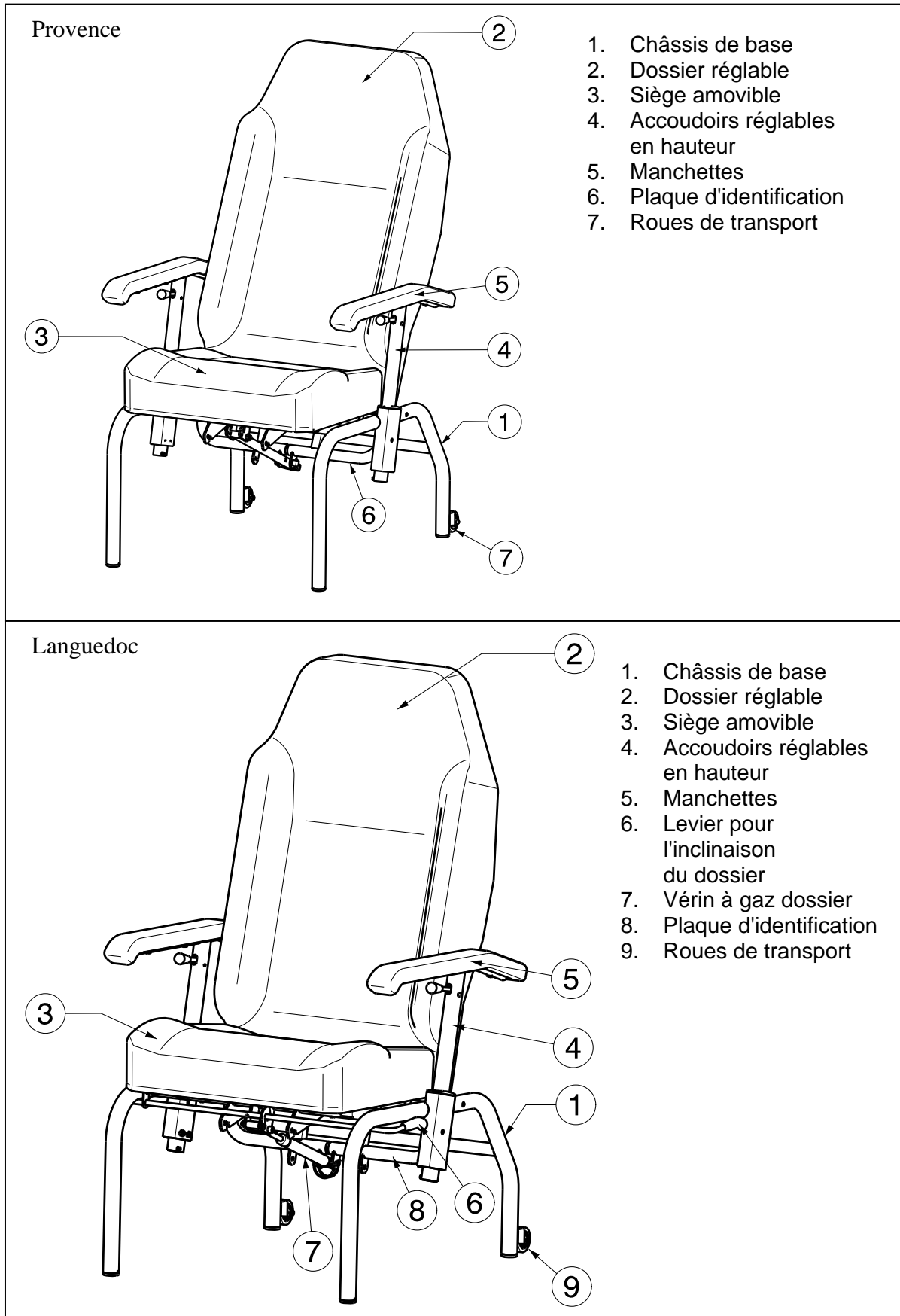
Marque	Vermeiren				
Adresse	Vermeirenplein 1/15, B-2920 Kalmthout				
Type	Fauteuil de repos				
Modèle	Provence	Languedoc	Normandie	Normandie XXL	
Poids max. du patient	130 kg	130 kg	130 kg	350 kg	
Description	Min. - Max.	Min. - Max.	Min. - Max.	Min. - Max.	
Longueur totale	750 mm	750 mm	750 mm	760 mm	
Longueur démonté	1080 mm	1080 mm	1080 mm	1080 mm	
Largeur d'assise efficace	540 mm	540 mm	540 mm	770 mm	
Largeur totale	660 mm	660 mm	660 mm	890 mm	
Largeur démonté	660 mm	660 mm	660 mm	890 mm	
Hauteur totale	1150 mm	1200 mm	1200 mm	1200 mm	
Hauteur démonté	810 mm	810 mm	810 mm	810 mm	
Masse totale	Environ 21,85 kg	Environ 22,85 kg	Environ 24,85 kg	Environ 37,75 kg	
Masse de la partie la plus lourde	19,10 kg	20,10 kg	22,10 kg	32,40 kg	
Des masses de pièces qui peuvent être démontés ou retirées	Coussin d'assise: 2,75 kg	Coussin d'assise: 2,75 kg	Coussin d'assise: 2,75 kg	Coussin d'assise: 5,35 kg	
Stabilité statique en descente	6% (en configuration standard)				
Stabilité statique en montée	6% (en configuration standard)				
Passage d'obstacle	Ne s'applique pas				
Angle du plan d'assise	8°			7°	
Profondeur d'assise efficace	440 mm	440 mm	440 mm	480 mm	
Hauteur de la surface d'assise sur le bord avant	510 mm	510 mm	510 mm	510 mm	
Épaisseur des coussins d'assise	100 mm	100 mm	100 mm	100 mm	
Angle du dossier	10° - 32°	13° - 45°	13° - 45°	13° - 40°	
Hauteur du dossier	780 mm	780 mm	780 mm	780 mm	
Distance entre le repose-jambes et le siège	--	--	300 mm	360 mm	
Angle entre l'assise et le repose-jambes	--	--	0° - 90°	0° - 80°	
Distance entre l'accoudoir et le siège	-1,5 mm (uniquement pour un transfert latéral)				
	138 mm - 170 mm	138 mm - 170 mm	138 mm - 170 mm	138 mm - 220 mm	
Espace maximum disponible entre le mur et le fauteuil de repos	380 mm	380 mm	380 mm	380 mm	
Vérin à gaz du dossier/du repose-jambes	--	--	150 N	850 N	
Température de stockage et d'utilisation	+ 5 °C - + 40°C	+ 5 °C - + 40°C	+ 5 °C - + 40°C	+ 5 °C - + 40°C	
Humidité de stockage et d'utilisation	30% - 70%	30% - 70%	30% - 70%	30% - 70%	
Nous nous réservons le droit d'apporter des modifications techniques. Tolérance de mesures ± 15 mm / 1,5 kg / °.					

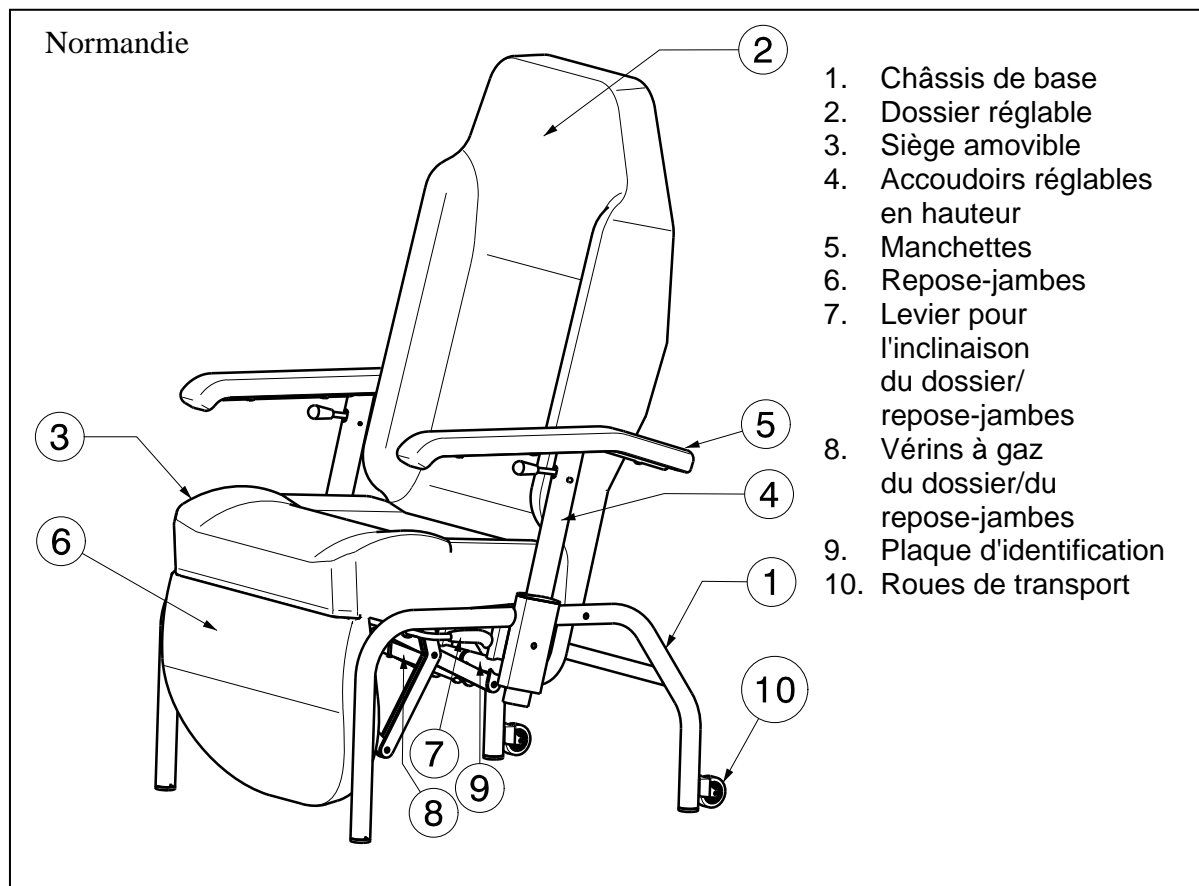
Tableau 1 : Spécifications techniques

Le fauteuil de repos est conforme aux normes suivantes :

EN 1021-1, EN1021-2: Résistance à l'inflammation des pièces rembourrées

1.3 Composants





1.4 Explication des symboles



Poids maximum



Uniquement pour usage intérieur



Conformité CE



Désignation type

1.5 Accessoires

Accoudoirs réglables / élargis

Sangles (standard lorsque équipé de roues)

Pouf repose-pieds inclinable (sur Provence et Languedoc)

Palette repose-pieds avec roulettes

Inclinaison électrique du dossier (sur Normandie E)

1.6 Règles de sécurité

Nous vous présentons ci-après quelques conseils de sécurité que nous vous engageons à suivre:

⚠ Suivez le mode d'emploi de votre fauteuil de repos.

⚠ Pour éviter toute blessure des mains et des dommages sur le fauteuil de repos, assurez-vous qu'aucun objet est pris dans les systèmes de réglages (inclinaison du repose-jambes (uniquement sur Normandie), inclinaison du dossier, ...).

⚠ Vérifiez régulièrement le bon fonctionnement des roues (uniquement pour Normandie + roues).

- ⚠ Il convient de serrer les freins de stationnement avant de s'asseoir ou de sortir du fauteuil de repos. (uniquement pour Normandie + roues).
- ⚠ Lorsque vous prenez des objets (qui se trouvent devant, à côté ou derrière le fauteuil de repos), veillez à ne pas trop vous pencher trop loin hors du fauteuil de repos. Car il y a un risque de basculement en raison du déplacement du centre de gravité.
- ⚠ Lors du passage de porte, sous des voûtes, etc., il faut vérifier que la place est suffisante sur le côté, afin de ne pas endommager le fauteuil de repos.
- ⚠ Veillez à disposer de suffisamment d'espace autour et au-dessus du fauteuil de repos avant de l'incliner. Faute d'espace suffisant, vous risquez d'endommager le fauteuil ou de vous blesser.
- ⚠ Respectez les règles lors de l'utilisation de votre fauteuil de repos. Évitez par exemple de rouler contre un obstacle sans frein (bord de trottoir, pierre) ou de sauter des marches. Le fabricant n'est pas responsable des dommages et conséquences d'une surcharge ou de chocs lors de l'utilisation non conforme à l'objet du produit.
- ⚠ Lors du transport du fauteuil de repos, ou lorsque celui-ci est incliné, ne le saisissez jamais au niveau de parties mobiles (p. ex. le repose-jambes).
- ⚠ Lorsque vous ne l'utilisez pas, ne laissez pas le fauteuil en position inclinée.
- ⚠ Ne vous asseyez pas sur le repose-jambes ou les accoudoirs.
- ⚠ Ne vous appuyez pas sur le repose-jambes ni sur le dossier car vous risqueriez de faire basculer le fauteuil.
- ⚠ Assurez-vous de ne pas dépasser **la charge maximale**.
- ⚠ Utilisez le fauteuil de repos sur des sols plane, que les toutes roues/pieds touchent et avec lesquels le contact.
- ⚠ Utilisez uniquement des accessoires, pièces de rechange ou vérin à gaz, approuvés par Vermeiren.
- ⚠ N'ouvrez aucun vérin à gaz car ceux-ci sont sous pression: Risque de lésions.
- ⚠ Toute utilisation de l'appareil est interdite si les vérins à gaz (le cas échéant) sont endommagés. Contactez immédiatement votre revendeur pour les remettre en état.

2 Utilisation

Ce chapitre décrit l'utilisation quotidienne. **Ces instructions sont destinées à l'utilisateur et au distributeur.**

Le produit est livré entièrement assemblé et réglage par votre distributeur. Les instructions destinées au distributeur pour le réglage du fauteuil de repos sont indiquées au § 3.

2.1 Transport du fauteuil de repos

Pour le transport du fauteuil de repos, placez le dossier en position relevée

La meilleure manière de porter le fauteuil de repos est d'utiliser les roues et de continuer à faire rouler le siège (uniquement pour le Normandie avec des roues) ou déplacez le fauteuil de repos vers l'arrière et faites-le rouler sur deux roues de transport vers l'endroit désiré.

Si ce n'est pas possible, saisissez fermement le châssis au niveau des éléments fixes à l'avant et à l'arrière ou sur les côtés. Ne pas saisir le fauteuil de repos par les repose-pieds, accoudoirs ni par le siège.

Pour le transport au-dessus de marches, paliers ou dans des escaliers, il faut toujours être deux personnes au minimum. Il est interdit de transporter le fauteuil de repos avec un patient.

Pendant le transport, aucune personne et aucun objet ne peuvent se trouver sous le fauteuil de repos, sous peine de provoquer des blessures ou des dégâts.

2.2 Recommandations pour utiliser le fauteuil de repos

2.2.1 Transfert dans et hors du fauteuil

⚠ AVERTISSEMENT : Risque de basculement – Assurez-vous que le fauteuil de repos ne puisse pas basculer lorsqu'il est placé dans sa position la plus en arrière.

⚠ ATTENTION : Si vous ne pouvez pas réaliser le transfert en toute sécurité, demandez à quelqu'un de vous aider.

En suivant les instructions reprises ci-dessous, vous pouvez réaliser le transfert du patient en direction du fauteuil de repos :

1. Assurez-vous que les freins du fauteuil de repos sont enclenchés (uniquement pour Normandie + roues).
2. Faites basculer le fauteuil de repos le plus loin possible vers l'avant (angle d'inclinaison minimal) avec les leviers de réglages.
3. Relâchez les freins.
4. Stationnez le fauteuil de repos le plus près possible du siège ou du lit duquel/vers lequel vous désirez vous déplacer.
5. Assurez-vous que les freins du fauteuil de repos sont bien enclenchés.
6. Procédez au transfert vers le fauteuil de repos. Placez l'accoudoir à la même hauteur que le coussin d'assise pour un transfert latéral (reportez-vous au paragraphe 2.6).
7. Positionnez le fauteuil de repos en position allongée (angle d'inclinaison maximal).

En suivant les instructions reprises ci-dessous, vous pouvez réaliser le transfert du patient depuis le fauteuil de repos :

1. Assurez-vous que les freins du fauteuil de repos sont bien enclenchés.
2. Faites basculer le fauteuil de repos le plus loin possible vers l'avant (angle d'inclinaison minimal) avec les leviers de réglages.
3. Relâchez les freins.
4. Stationnez le fauteuil de repos le plus près possible du siège ou du lit duquel lequel vous désirez vous déplacer.
5. Déplacez-vous hors du siège. Placez l'accoudoir à la même hauteur que le coussin d'assise pour un transfert latéral (reportez-vous au paragraphe 2.6).

2.2.2 Position correcte dans le fauteuil

Voici quelques recommandations pour utiliser confortablement votre fauteuil :

- Placez votre dos aussi proche que possible du dossier.

2.2.3 Déplacer/Transporter le fauteuil

⚠ AVERTISSEMENT : risque de pincement - Soyez prudent lorsque vous franchissez des passages étroits (portes, par exemple).

⚠ AVERTISSEMENT : risque de brûlures – Soyez prudents lorsque vous conduisez dans des environnements chauds ou froids - Les parties métalliques peuvent subir les températures de l'environnement et devenir très chaudes ou très froides.

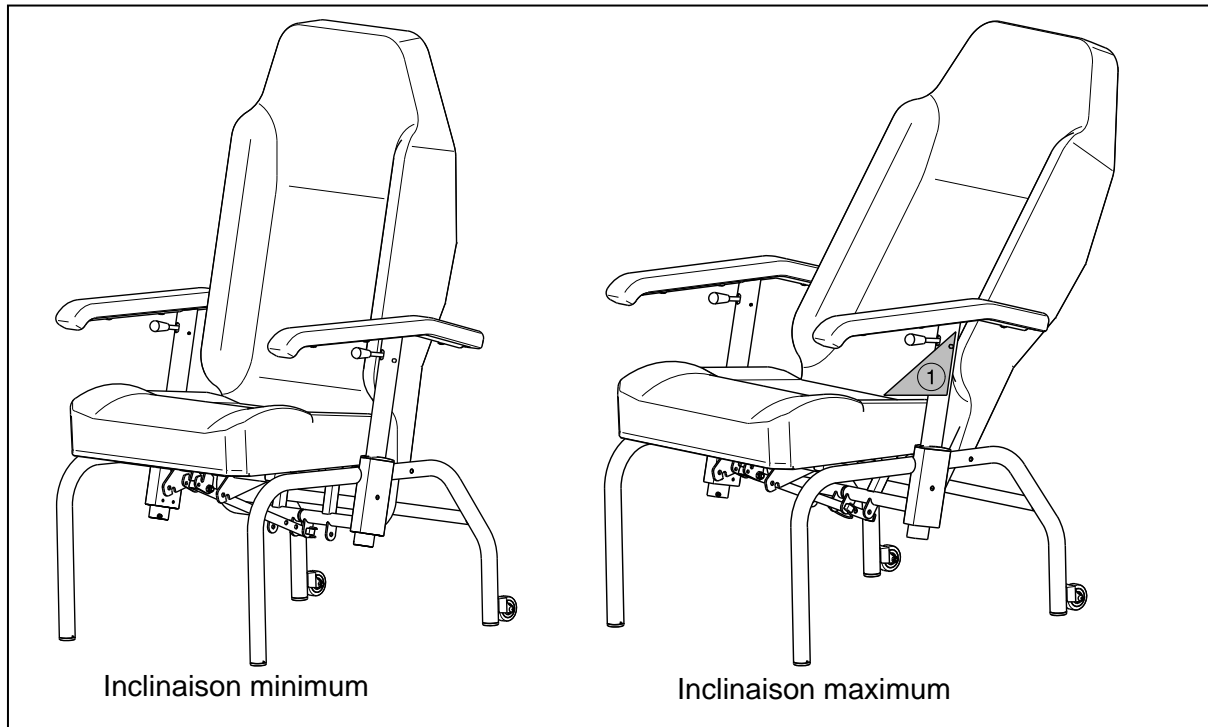
⚠ AVERTISSEMENT : risque de blessure – Pendant le transport, aucune personne et aucun objet ne peuvent se trouver sous le fauteuil de repos.

1. Assurez-vous que les freins du fauteuil de repos sont enclenchés (uniquement pour Normandie + roues).
2. Procédez au transfert depuis le fauteuil de repos.
3. Relâchez les freins.
4. Déplacez le fauteuil vers l'endroit souhaité par une surface plane.
5. Enclenchement du frein.

6. Procédez au transfert vers le fauteuil de repos.

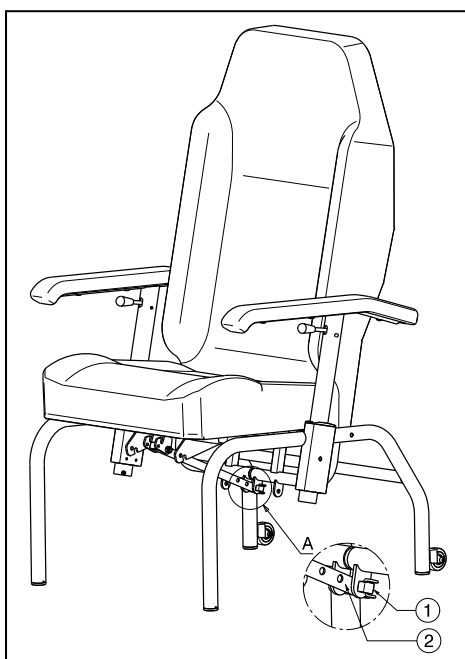
2.3 Inclinaison du dossier Provence

- ⚠ **AVERTISSEMENT** : Risque de basculement – Assurez-vous que le fauteuil de repos ne puisse pas basculer lorsqu'il est placé dans sa position la plus en arrière.
- ⚠ **AVERTISSEMENT** : Risque de lésion – Assurez-vous qu'aucun objet ou qu'aucun individu ne se trouve dans le voisinage du réglage (voir les zones représentant des points noirs).
- ⚠ **AVERTISSEMENT** : Risque de blessure – Ne placez pas vos doigts, vêtements, câbles ou autres pièces entre les zones représentant des goulots d'étranglement.



L'angle du dossier peut être réglé à l'aide d'un tube de réglage.

Les zones représentant des goulots d'étranglement sont indiqués dans l'illustration en haut avec ①.

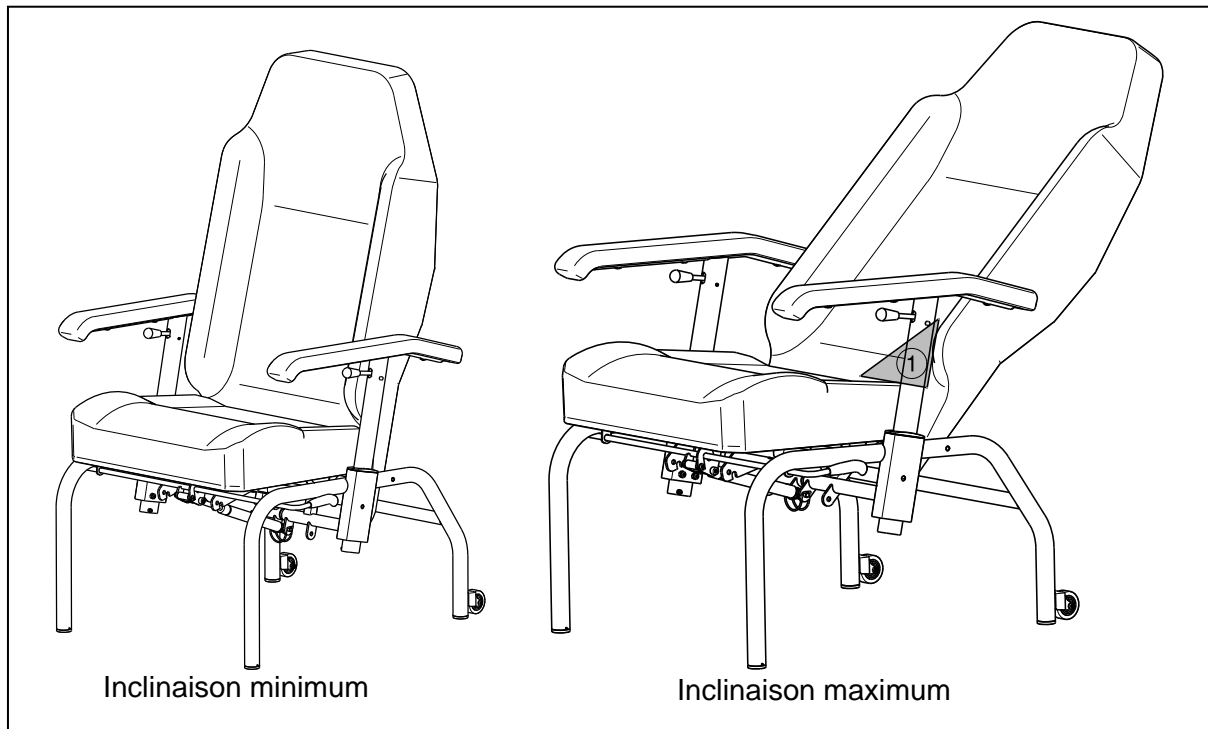


Basculement du fauteuil de repos:

1. Le fauteuil de repos peut être incliné à l'aide d'un tube de réglage ② et le goupille d'arrêt ① situés juste en dessous de l'assise du fauteuil de repos. (Contrôlez qu'il y a suffisamment d'espace entre le fauteuil de repos et le mur pendant le basculement du siège : 380 mm).
2. Enlevez le goupille d'arrêt ①.
3. Déplacez le dossier dans la position souhaitée du tube de réglage ② (3 différentes positions 10° - 32°: écarts de 11°).
4. Remontez le goupille d'arrêt ①.

2.4 Inclinaison du dossier Languedoc

- ⚠ **AVERTISSEMENT** : Risque de basculement – Assurez-vous que le fauteuil de repos ne puisse pas basculer lorsqu'il est placé dans sa position la plus en arrière.
- ⚠ **AVERTISSEMENT** : Risque de lésion – Assurez-vous qu'aucun objet ou qu'aucun individu ne se trouve dans le voisinage du réglage (voir les zones représentant des points noirs).
- ⚠ **AVERTISSEMENT** : Risque de blessure – Ne placez pas vos doigts, vêtements, câbles ou autres pièces entre les zones représentant des goulots d'étranglement.



L'angle du dossier peut être réglé à l'aide d'un vérin à gaz.

Les zones représentant des goulots d'étranglement sont indiqués dans l'illustration en haut avec ① .

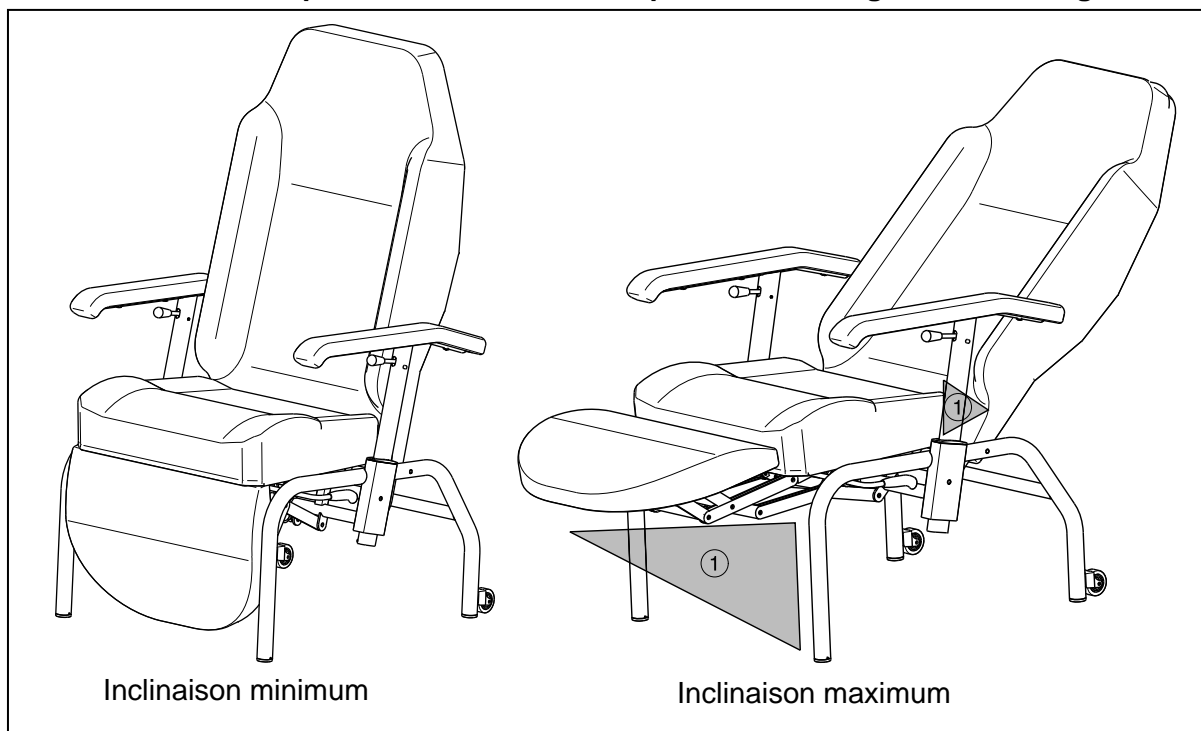
Basculement du fauteuil de repos:

1. Le fauteuil de repos peut être réglé à l'aide de levier de réglage sur le côté, à côté des conduites d'assise au niveau de la fixation des accoudoirs. (Contrôlez qu'il y a suffisamment d'espace entre le fauteuil de repos et le mur pendant le basculement du siège : 380 mm).

Tirez doucement le levier vers le haut, le vérin à gaz se détache et le dossier peut être déplacé dans la position souhaitée. Si vous relâchez à nouveau le levier, le vérin à gaz se bloque et le dossier s'arrête dans la position souhaitée (inclinaison du dossier: 13° - 45°).

2.5 Inclinaison du dossier Normandie, Normandie XXL

- ⚠ **AVERTISSEMENT** : Risque de basculement – Assurez-vous que le fauteuil de repos ne puisse pas basculer lorsqu'il est placé dans sa position la plus en arrière.
- ⚠ **AVERTISSEMENT** : Risque de blessure – Vérifiez que les freins sont bien enclenchés avant d'incliner le fauteuil de repos (uniquement pour Normandie + roues).
- ⚠ **AVERTISSEMENT** : Risque de lésion – Assurez-vous qu'aucun objet ou qu'aucun individu ne se trouve dans le voisinage du réglage (voir les zones représentant des points noirs).
- ⚠ **AVERTISSEMENT** : Risque de blessure – Ne placez pas vos doigts, vêtements, câbles ou autres pièces entre les zones représentant des goulots d'étranglement.



L'angle du dossier et du repose-jambe peut être réglé à l'aide d'un vérin à gaz.

Les zones représentant des goulots d'étranglement sont indiqués dans l'illustration en haut avec ①.

Basculement du fauteuil de repos:

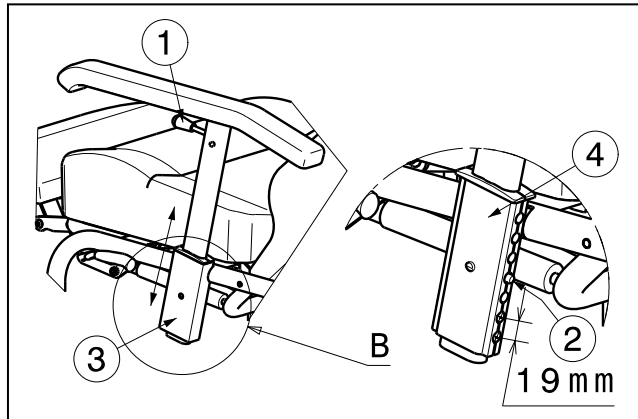
1. Enclenchement du frein (uniquement pour Normandie + roues).
2. Le fauteuil de repos peut être réglé à l'aide de levier de réglage sur le côté, à côté des conduites d'assise au niveau de la fixation des accoudoirs. (Contrôlez qu'il y a suffisamment d'espace entre le fauteuil de repos et le mur pendant le basculement du siège : 380 mm).

Tirez doucement le levier vers le haut, le vérin à gaz se détache et le dossier/repose-jambes peut être déplacé dans la position souhaitée. Si vous relâchez à nouveau le levier, le vérin à gaz se bloque et le dossier/repose-jambes s'arrête dans la position souhaitée (inclinaison du dossier: 13° - 45°; inclinaison du repose-jambes: 0° - 90°).

2.6 Réglage des accoudoirs

Les accoudoirs sont réglables en hauteur, et peuvent être abaissés jusqu'au niveau du cadre du siège pour le transfert latéral du patient.

Réglage des accoudoirs en hauteur:



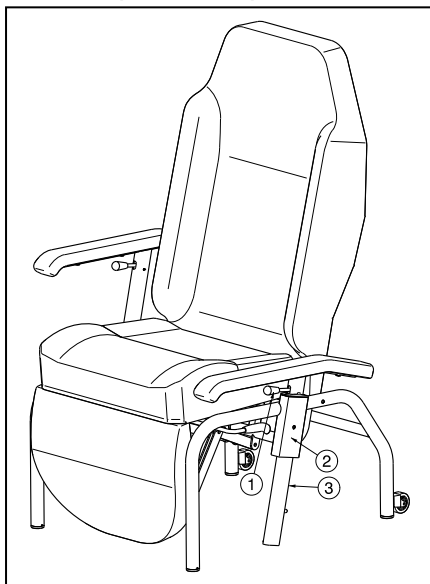
Tirez le levier des accoudoirs ① vers le haut (en direction des manchettes).

Le ressort de verrouillage ② est déverrouillé et l'accoudoir peut être déplacé dans le support de l'accoudoir ③ vers la position souhaitée (portée : 57 mm: (4 positions possibles : marches de 19 mm).

Les trois trous supérieurs de la partie située avant le guidage ④ ne sont pas utilisés.

⚠ AVERTISSEMENT : Risque de lésion - Si le ressort de verrouillage ② sort du support pour l'accoudoir ③, l'accoudoir n'est pas verrouillé. Utilisez uniquement cette position pour le déplacement latéral du patient.

Position pour le déplacement latéral du patient :

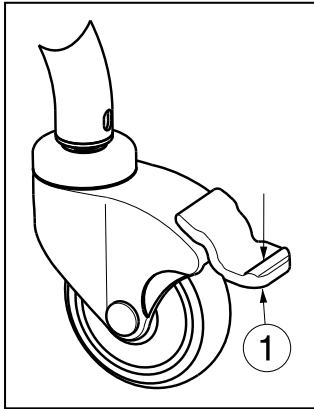


Pour placer l'accoudoir dans la position pour le transfert latéral, vous devez tirer le levier ① vers le haut et vous placez l'accoudoir dans la position la plus basse possible.

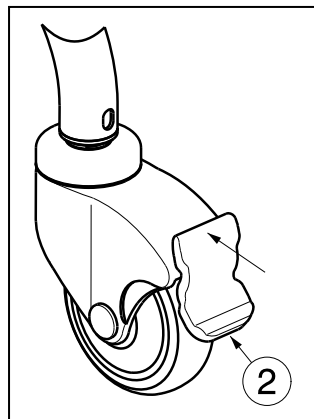
Maintenant, l'accoudoir se trouve à la même hauteur que le coussin d'assise.

2.7 Roues / Freins de stationnement (uniquement pour Normandie + roues)

- ⚠ **AVERTISSEMENT** : risque de blessure – Toutes les roues doivent être bloquées lorsque le fauteuil de repos est en stationnement.
- ⚠ **AVERTISSEMENT** : Le bon fonctionnement des freins dépend de l'usure et de l'état des pneus (eau, huile, boue, ...). Vérifiez l'état des pneus avant chaque utilisation.
- ⚠ **AVERTISSEMENT** : Les freins sont réglables et sont sujets à l'usure – Vérifiez leur fonctionnement avant chaque utilisation.
- ⚠ **ATTENTION** : Risque de mouvements non souhaités. Vérifiez que le fauteuil de repos se trouve sur une surface horizontale plane avant de relâcher les freins. Ne désactivez jamais tous les freins en même temps.



- ① **Verrouillez les freins de stationnement**
Pressez avec le pied la plaque de frein gris des roues vers le bas, jusqu'à ce qu'elle se bloque. Les roues ne peuvent pas rouler.



- ② **Déverrouillez les freins de stationnement**
Remontez avec le pied la plaque de frein gris des roues vers le châssis. Les roues sont maintenant déverrouillées et peuvent rouler et tourner.

2.8 Passage de marches via des rampes

⚠ AVERTISSEMENT : Risque de basculement – Empruntez les rampes uniquement avec l'aide d'un accompagnateur/une accompagnatrice qui vous poussera sur la rampe en question.

Si vous pouvez vous rabattre sur des rampes pour surmonter un obstacle, nous vous prions de tenir compte des points suivants :

Le fauteuil de repos est théoriquement un produit destiné à se déplacer à l'intérieur des bâtiments sur des surfaces planes ou substrats lisses. N'utilisez pas de plaques de roulage avec des bords grossiers ou inégaux, ou si le fauteuil de repos n'est pas équipé de quatre roues pivotantes. Veuillez noter que la déclivité maximale ne peut dépasser 6 % (3°).

2.9 Transport en voiture

⚠ AVERTISSEMENT : Risque de blessure – Vérifiez que le fauteuil de repos est bien fixé dans la voiture ou dans le camion.

Pour transporter le fauteuil de repos dans la voiture, respectez les étapes suivantes :

1. Retirez les accessoires.
2. Stockez-les en toute sécurité.
3. Placez le fauteuil dans le compartiment à bagages.
4. Si le fauteuil de repos n'est PAS séparé de l'habitacle, fixez correctement le châssis du fauteuil au véhicule. Vous pouvez utiliser les ceintures de sécurité disponibles dans le véhicule.

3 Installation et réglage

Les instructions de ce chapitre sont destinées au distributeur.

Pour trouver un service d'entretien ou un revendeur spécialisé près de chez vous, contactez l'établissement Vermeiren le plus proche. Vous trouverez une liste des établissements sur la dernière page.

- ⚠ **AVERTISSEMENT** : risque de réglages dangereux - N'utilisez que les réglages décrits dans ce manuel.
- ⚠ **AVERTISSEMENT** : Une variation des réglages autorisés peut avoir une incidence sur la stabilité de votre produit (inclinaison en arrière ou latérale).

3.1 Outils

Les outils suivants sont requis pour le montage du fauteuil de repos.

3.2 Mode de livraison

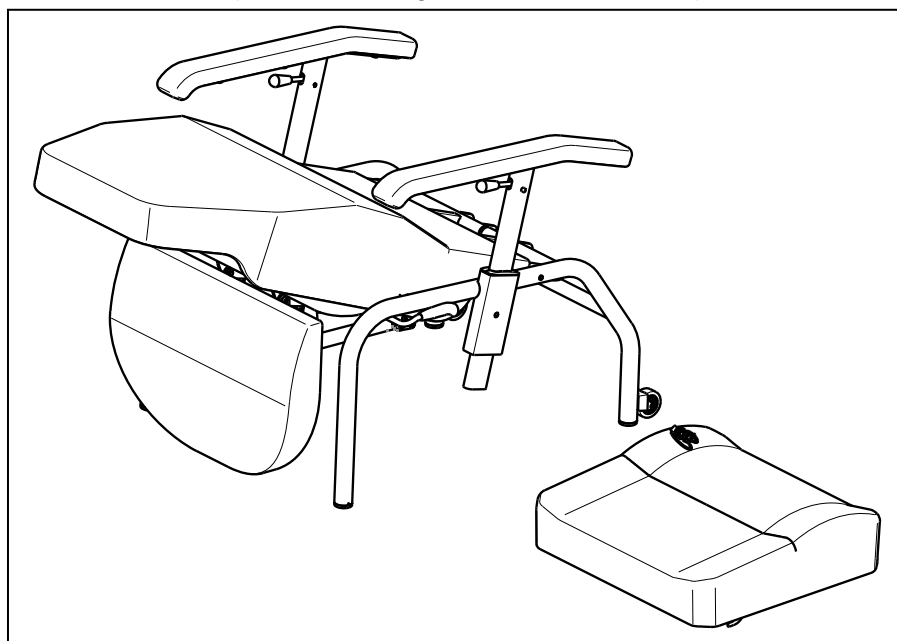
Le produit Vermeiren est livré de la manière suivante :

- Châssis avec les coussins de siège et dossier.
- Accoudoirs
- Repose-jambes (uniquement sur Normandie et Normandie XXL)
- Vérin à gaz (uniquement sur Normandie et Normandie XXL)
- Mode d'emploi
- Deux Vis
- Accessoires

Vérifiez que vous êtes en possession de tous ces éléments et qu'aucun n'a été endommagé (en particulier durant le transport).

3.3 Montage du fauteuil de repos

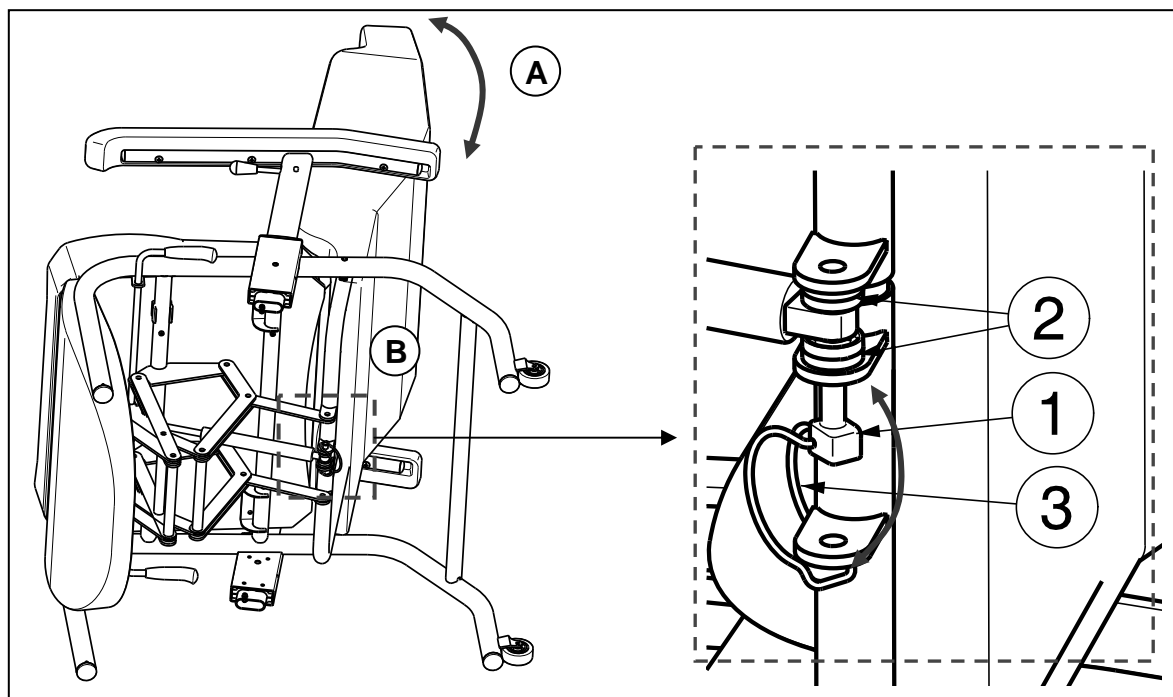
Le fauteuil de repos est délivré comme cela est affiché à l'illustration ci-dessous. Utilisez les instructions ci-dessous pour le montage des fauteuils de repos.



3.3.1 Montage du dossier

Pour le montage du dossier, vous devez pour cela poser le modèle sur le côté sur une surface plane.

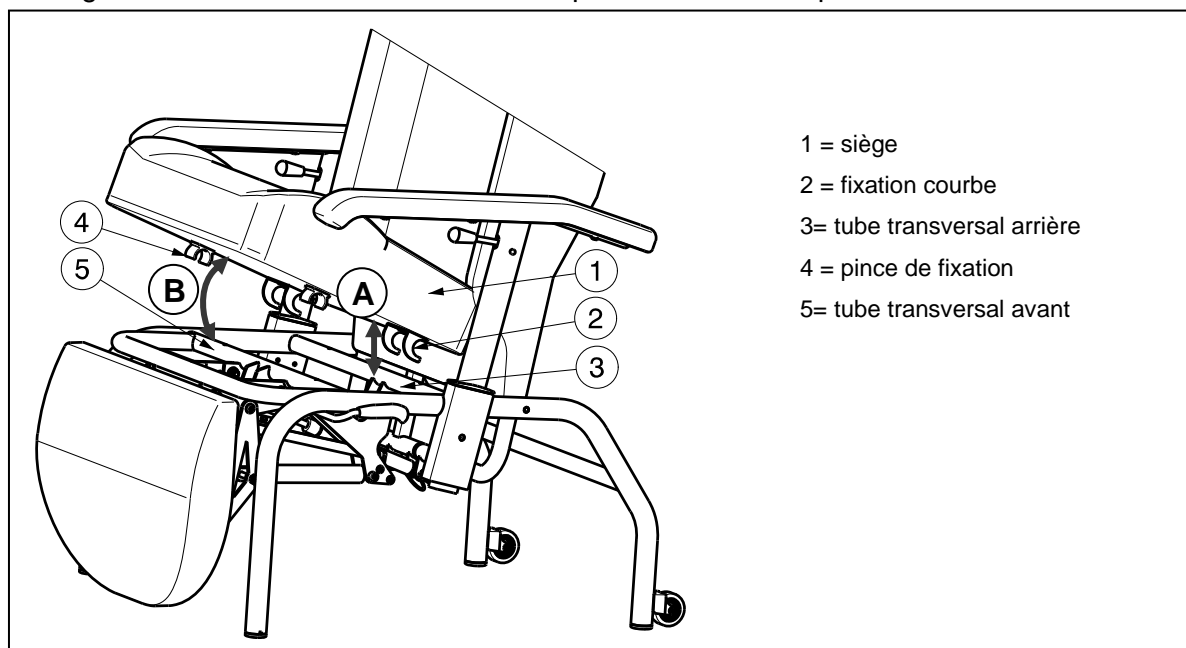
- (A)** Déplacez le dossier vers l'arrière jusqu'à ce que les échancrures situées en dessous du châssis du dossier et l'ouverture de suspension du vérin à gaz se trouvent l'une sur l'autre.
- (B)** Montez la cheville de blocage ① au travers des échancrures du dossier et du vérin à gaz. Deux écarteurs en plastique ② doivent être placés devant et derrière l'échancrure pour le vérin à gaz. Fixez ensuite la cheville de blocage ① en tirant le plus possible le ressort ③ sur la cheville, afin qu'elle dépasse l'extrémité de la cheville de traction.



3.3.2 Montage du siège

⚠ AVERTISSEMENT : Risque de lésions – Veillez à ce qu'aucun objet ou aucune partie du corps ne soit coincé entre le siège et le cadre.

Le siège est maintenu sur le cadre de base par des fixations à pincettes.



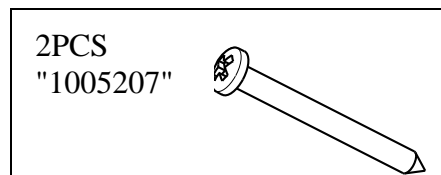
- A** Placez le siège ① en position légèrement inclinée avec la fixation courbe ② positionnée de manière à ce qu'elle passe sous le tube transversal arrière du cadre de base ③.
- B** Appuyez l'avant du siège ① vers le bas, de manière à ce que les pinces de fixation ④ se clipsent sur le tube transversal avant du cadre de base ⑤.

Déplacez le dossier un peu vers l'arrière si vous n'avez pas suffisamment de place pour monter le siège sur le châssis.

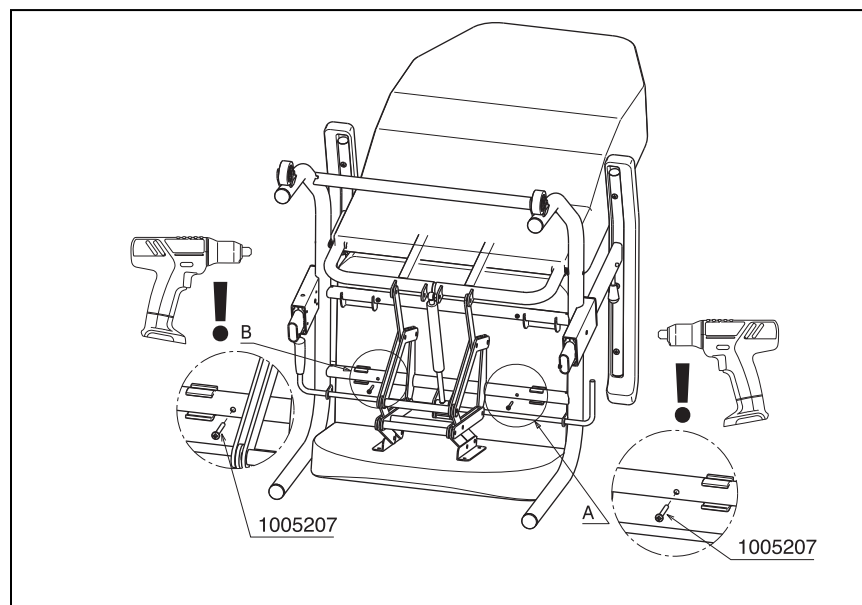
Pour démonter le siège, procédez en sens inverse.

3.3.3 Fixation du siège

Inclus dans la livraison: deux vis.



Assemblage des deux vis pour attacher le coussin d'assise. Sachez que le coussin d'assise ne pourra plus être retiré du fauteuil de repos. Les vis peuvent être montées une seule fois en utilisant une perceuse.



4 Maintenance

Le mode d'emploi des fauteuils de repos se trouve sur le site Internet de Vermeiren, www.vermeiren.be, www.vermeiren.fr.

INHOUDSOPGAVE

Voorwoord.....	2
1 Product omschrijving	3
1.1 Gebruik.....	3
1.2 Technische specificaties	4
1.3 Onderdelen	5
1.4 Gebruikte symbolen	6
1.5 Accessoires.....	6
1.6 Voor Uw veiligheid	6
2 Gebruik.....	7
2.1 Dragen van de comfortstoel	7
2.2 Aanbevelingen om de comfortstoel te gebruiken.....	7
2.3 Ruginclinatie Provence	8
2.4 Ruginclinatie Languedoc.....	10
2.5 Ruginclinatie van Normandie, Normandie XXL	11
2.6 Afstellen van de armsteunen	12
2.7 Loopwielen / Parkeerremmen (enkel voor de Normandie + wielen).....	12
2.8 Nemen van hindernissen met oprijplaten	13
2.9 Transport in de auto.....	13
3 Montage en instellingen.....	14
3.1 Gereedschap	14
3.2 Leveringsomvang	14
3.3 Monteren van de comfortstoel.....	14
4 Onderhoud	16

Voorwoord

We willen U danken voor het vertrouwen dat U in onze producten stelt.

De producten van Vermeiren zijn het resultaat van jarenlange studies en ervaringen. Bij de ontwikkeling werd veel aandacht besteed aan een eenvoudige bediening en een gemakkelijk onderhoud van het product.

De levensduur van Uw product wordt sterk beïnvloed door de verzorging en het onderhoud van het product.

Deze handleiding maakt U vertrouwd met de bediening van Uw product.

Het naleven van de gebruiks- en onderhoudsinstructies vormen een essentieel onderdeel van de garantiebepalingen.

Deze handleiding houdt rekening met de recentste productontwikkelingen. De Firma Vermeiren behoudt zich echter het recht voor om wijzigingen door te voeren zonder verplicht te zijn voordien geleverde modellen aan te passen of te vervangen.

Als U nog vragen hebt, neemt U best contact op met Uw vakhandelaar.

1 Product omschrijving

1.1 Gebruik

De comfortstoelen Provence, Languedoc, Normandie zijn ontworpen voor Uw volledige comfort.

De comfortstoel is ontworpen om 1 persoon te laten zitten.

Wie gebruik wil maken van deze comfortstoel moet over voldoende lichaamscontrole beschikken en niet leiden aan evenwichtsstoringen die de zijwaartse stabiliteit beïnvloeden.

De comfortstoel kan ENKEL binnenshuis gebruikt worden.

Om de Provence, Languedoc, Normandie binnenshuis te transporteren is een helper nodig, en de stoel zal ook zijn eigen opslagplaats nodig hebben.

De stoel biedt door de verschillende types accessoires en de opbouw verschillende aanpassingsmogelijkheden voor mensen die moeilijk kunnen lopen door:

- Verlamming
- Verlamming/zwakke ledematen (maar wel met controle over het rechtop houden van de romp)
- Letsel van de gewrichten
- Hart- en bloedsomloopinsufficiëntie

Om dit product te kunnen gebruiken moet rekening worden gehouden met de volgende elementen:

- grootte en lichaamsgewicht (**max. belasting 130 kg; 350 kg voor XXL model**)
- fysieke en psychologische gesteldheid
- woonomgeving

Uw comfortstoel mag alleen gebruikt worden op ondergronden waarbij alle vier de wielen/poten de grond raken en waarbij het bodem contact voldoende is voor een gelijkmatige aandrijving van alle wielen.

De comfortstoel dient niet als klimtoestel of om hete of zware voorwerpen te transporteren.

Het gebruik op tapijten, tapijtvloeren of andere losse vloerbedekkingen kan slijtage van de vloerbedekking tot gevolg hebben.

Het is noodzakelijk om het beste model te kiezen dat bij de afmetingen/bouw van de patiënt past. De zitsystemen zijn ergonomisch gevormd voor Uw comfort.

Gebruik enkel door Vermeiren goedgekeurde accessoires.


Vermeiren is niet aansprakelijk voor schade door gebrekkig of onvoldoende onderhoud of als gevolg van het niet naleven van instructies van deze handleiding.

Het naleven van de gebruiks- en onderhoudsinstructies vormen een essentieel onderdeel van de garantiebepalingen.

Mensen met een visuele beperking kunnen contact opnemen met de vakhandelaar voor de gebruikersinstructies.

1.2 Technische specificaties

Onderstaande technische gegevens zijn geldig voor het product in standaard instellingen en met de bekleding. Wanneer er andere accessoires worden gebruikt, worden de opgegeven waarden gewijzigd.

Merk	Vermeiren				
Adres	Vermeirenplein 1/15, B-2920 Kalmthout				
Type	Comfortstoel				
Model	Provence	Languedoc	Normandie	Normandie XXL	
Maximale massa gebruiker	130 kg	130 kg	130 kg	350 kg	
Beschrijving	Min. - Max.	Min. - Max.	Min. - Max.	Min. - Max.	
Totale lengte	750 mm	750 mm	750 mm	760 mm	
Gedemonteerde lengte	1080 mm	1080 mm	1080 mm	1080 mm	
Effectieve zitbreedte	540 mm	540 mm	540 mm	770 mm	
Totale breedte	660 mm	660 mm	660 mm	890 mm	
Gedemonteerde breedte	660 mm	660 mm	660 mm	890 mm	
Totale hoogte	1150 mm	1200 mm	1200 mm	1200 mm	
Gedemonteerde hoogte	810 mm	810 mm	810 mm	810 mm	
Totaal gewicht	Ongeveer 21,85 kg	Ongeveer 22,85 kg	Ongeveer 24,85 kg	Ongeveer 37,75 kg	
Gewicht zwaarste onderdeel	19,10 kg	20,10 kg	22,10 kg	32,40 kg	
Massa van onderdelen die kunnen worden gedemonteerd of verwijderd	Zitkussen: 2,75 kg	Zitkussen: 2,75 kg	Zitkussen: 2,75 kg	Zitkussen: 5,35 kg	
Statische stabiliteit bergaf	6% (in standaard configuratie)				
Statische stabiliteit bergop	6% (in standaard configuratie)				
Maximum hoogte hindernis	Niet van toepassing				
Zithoek	8°			7°	
Effectieve zitdiepte	440 mm	440 mm	440 mm	480 mm	
Zithoogte aan voorzijde	510 mm	510 mm	510 mm	510 mm	
Dikte van zitkussens	100 mm	100 mm	100 mm	100 mm	
Rughoek	10° - 32°	13° - 45°	13° - 45°	13° - 40°	
Rughoogte	780 mm	780 mm	780 mm	780 mm	
Afstand tussen beensteun en zit	--	--	300 mm	360 mm	
Hoek tussen zit en beensteun	--	--	0° - 90°	0° - 80°	
Hoogte armsteun	-1,5 mm (enkel voor zijdelingse transfer)				
	138 mm - 170 mm	138 mm - 170 mm	138 mm - 170 mm	138 mm - 220 mm	
Maximum beschikbare ruimte tussen muur en comfortstoel	380 mm	380 mm	380 mm	380 mm	
Gasveer rug / beensteun	--	--	150 N	850 N	
Opslag en gebruikstemperatuur	+ 5 °C - + 40°C	+ 5 °C - + 40°C	+ 5 °C - + 40°C	+ 5 °C - + 40°C	
Opslag en gebruiksluchtvochtigheid	30% - 70%	30% - 70%	30% - 70%	30% - 70%	

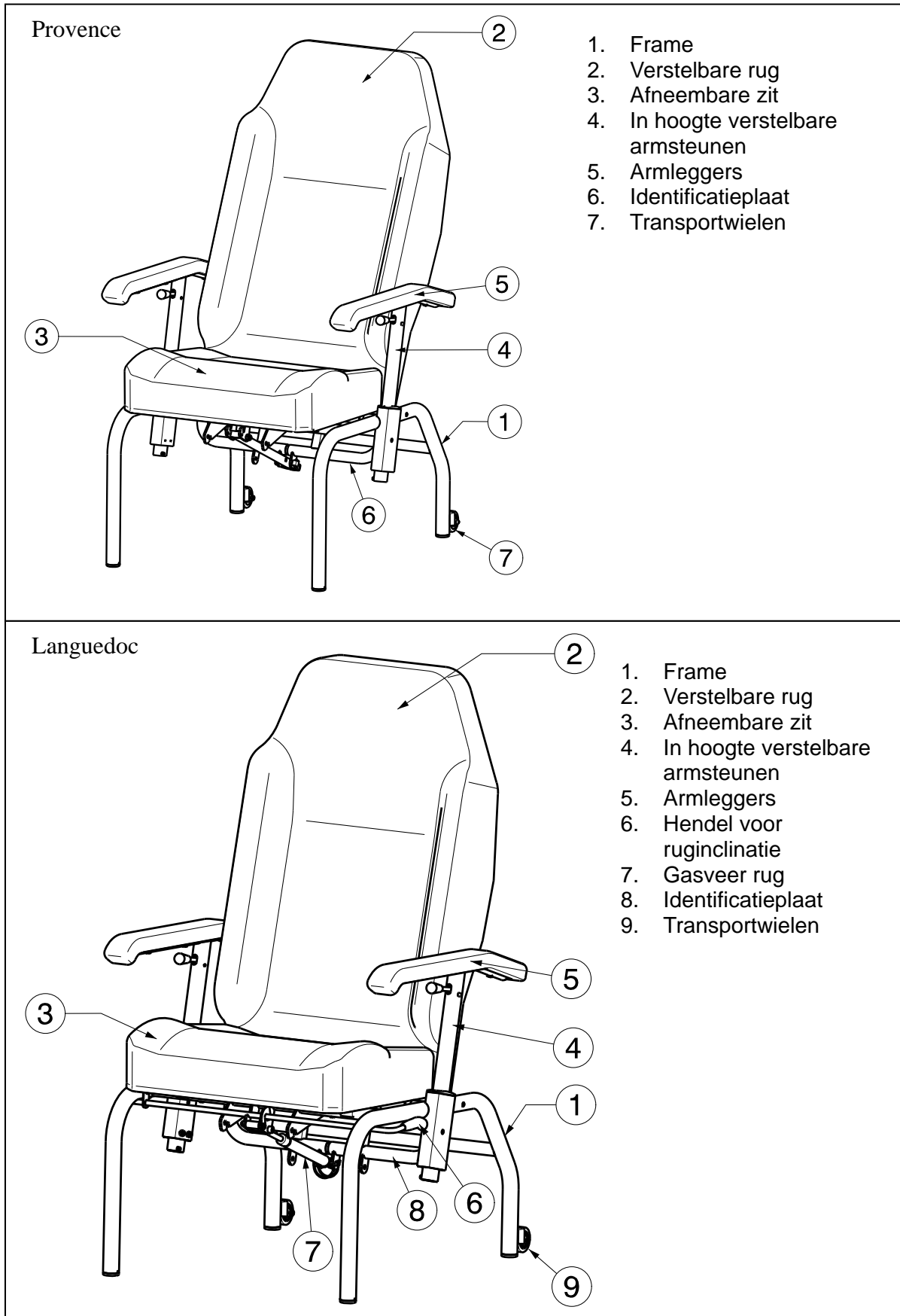
We behouden ons het recht voor om technische wijzigingen te introduceren. Meettolerantie ± 15 mm / 1,5 kg / °

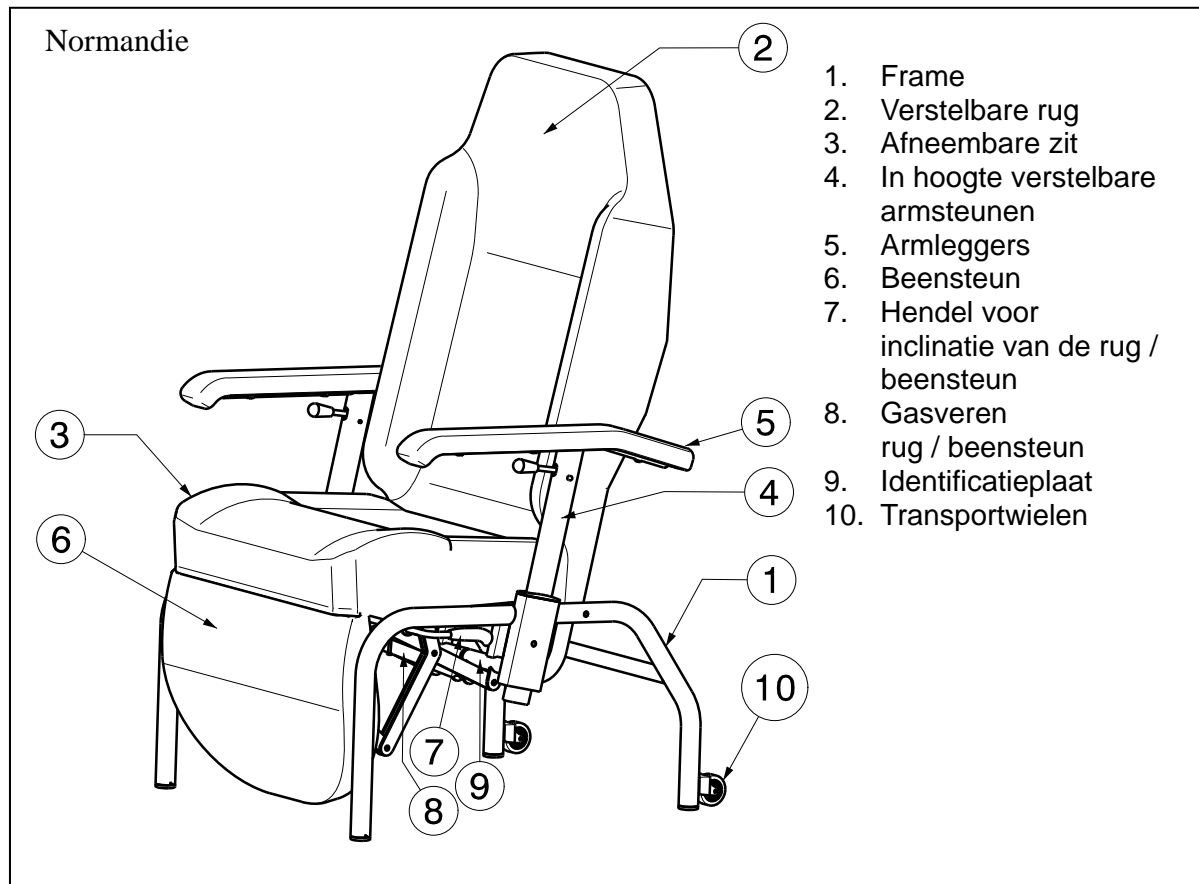
Tabel 1: Technische specificaties

De comfortstoel voldoet aan de vereisten die zijn vastgelegd in:

EN 1021-1, EN1021-2: Weerstand tegen ontbranding van gestoffeerde onderdelen.

1.3 Onderdelen





1.4 Gebruikte symbolen



Maximum gewicht



Enkel gebruik voor binnen



CE conformiteit



Type aanduiding

1.5 Accessoires

Verstelbare / bredere armsteunen

Duwbeugel (standaard wanneer uitgerust met wielen)

Verstelbare voetenbank (voor Provence en Languedoc)

Wegklapbare voetsteun

Elektrische ruginclinatie (voor Normandie E)

1.6 Voor Uw veiligheid

Maak gebruik van de volgende veiligheidsregels:

⚠ Volg de gebruikersinstructies van Uw comfortstoel.

⚠ Om letsels aan de handen of beschadiging van de comfortstoel te voorkomen, zorg ervoor dat geen voorwerpen en/of lichaamsonderdelen tussen de verstelsystemen (inclinatie beensteun (enkel voor de Normandie), inclinatie rug, ...) geklemd geraken.

⚠ Controleer regelmatig dat de wielen correct functioneren (enkel voor Normandie + wielen).

- ⚠ Voor het in- en uitstappen in de comfortstoel dient U de parkeerremmen vast te zetten. (enkel voor Normandie + wielen).
- ⚠ Let op bij het nemen van voorwerpen (die zich voor, opzij of achter de comfortstoel bevinden) dat U niet te ver uit de stoel leunt. Anders kan de comfortstoel kantelen.
- ⚠ Bij het rijden door deuren, openingen e.d. moet aan de zijkant voldoende plaats zijn, zodat er geen beschadiging van de comfortstoel is.
- ⚠ Zorg ervoor dat er zich genoeg ruimte rond en boven de comfortstoel bevindt, tijdens inclinatie van de stoel. Anders kan dit lijden tot beschadiging of letsels.
- ⚠ Gebruik Uw comfortstoel alleen voor de beschreven doeleinden. Vermijd bijv. om zonder remmen tegen een hindernis te rijden (stoeprand, stootsteen) of van treden te springen. De fabrikant is niet aansprakelijk voor schade als gevolg van overbelasting of botsingen bij het gebruik dat niet in overeenstemming is met het doel van het product.
- ⚠ Bij het transporteren van de comfortstoel mag U deze nooit vastnemen aan bewegende onderdelen (bv. beensteun) of als de comfortstoel is gekanteld.
- ⚠ Laat de comfortstoel in de niet geïnclineerde positie staan, wanneer U deze niet gebruikt.
- ⚠ Ga niet op de beensteun of armsteunen zitten.
- ⚠ Leun niet op de beensteun of rug - kantelgevaar van de comfortstoel.
- ⚠ Let erop dat **de maximale belasting** niet wordt overschreden.
- ⚠ Gebruik de comfortstoel op vlakke ondergronden, met alle vier de wielen / poten in contact met de grond.
- ⚠ Gebruik alleen door Vermeiren goedgekeurde accessoires, reserveonderdelen of gasveren.
- ⚠ Open geen gasdrukveren - deze staan onder hoge druk. Gevaar voor letsel!
- ⚠ Als de (eventuele) gasdrukveer is beschadigd, mag U het product niet meer gebruiken. Neem onmiddellijk contact op met de vakhandelaar om het product te laten repareren.

2 Gebruik

Dit hoofdstuk beschrijft het normaal gebruik. **Deze instructies zijn van toepassing voor de gebruiker en de vakhandelaar.**

Het product wordt volledig gemonteerd en ingesteld door Uw vakhandelaar geleverd. De instructies voor de montage en instellingen van de comfortstoel staan in § 3.

2.1 *Dragen van de comfortstoel*

Voor het dragen van de comfortstoel moet U de rug eerst rechtop zetten.

De beste manier om de comfortstoel te dragen is om gebruik te maken van de wielen en zo de stoel verder te rollen (enkel voor Normandie met wielen) of beweeg de comfortstoel naar achteren en rol hem op de 2 transport wielen naar de gewenste plaats.

Als dit niet mogelijk is, grijp het frame stevig vast aan de vaste onderdelen aan de voor- en achterkant of aan de zijkant. Gebruik de voet-, armsteunen of de zit niet om de comfortstoel vast te nemen.

Het transport langs trappen/treden/afstapjes enz. moet altijd door twee personen worden uitgevoerd. Transport met patiënt is uitgesloten.

Tijdens het transport mogen zich geen personen of voorwerpen onder de comfortstoel bevinden. Anders loopt U kans op letsel of schade aan het product.

2.2 *Aanbevelingen om de comfortstoel te gebruiken*

2.2.1 *Transfer in en uit de stoel*

- ⚠ **WAARSCHUWING:** Kans op kantelen - Zorg ervoor dat de comfortstoel niet achterover kan kantelen wanneer deze zo ver mogelijk naar achteren is geplaatst.

⚠ VOORZICHTIG: Indien U de transfer niet veilig op eigen kracht kan uitvoeren, vraag dan hulp van iemand anders.

Met onderstaande instructies kan U de transfer van de patiënt naar de comfortstoel uitvoeren:

1. Zorg dat de remmen van de comfortstoel aan staan (enkel voor Normandie + wielen).
2. Kantel de comfortstoel zo ver mogelijk naar voren (minimum hellingshoek) met de verstelhendels.
3. Maak de remmen los.
4. Plaats de comfortstoel zo dicht mogelijk bij de stoel, zetel of bed van/naar waar U zich wilt verplaatsen.
5. Zorg dat de remmen van de comfortstoel aan staan.
6. Verplaats U naar de stoel. Plaats de armlegger op dezelfde hoogte als het zitkussen voor een zijdelingse transfer (verwijs naar paragraaf 2.6).
7. Kantel de comfortstoel zo ver mogelijk naar achteren (maximum hellingshoek).

Met onderstaande instructies kan U de transfer van de patiënt uit de comfortstoel uitvoeren:

1. Zorg dat de remmen van de comfortstoel aan staan.
2. Kantel de comfortstoel zo ver mogelijk naar voren (minimum hellingshoek) met de verstelhendels.
3. Maak de remmen los.
4. Plaats de comfortstoel zo dicht mogelijk bij de stoel, zetel of bed van waar U zich wilt verplaatsen.
5. Verplaats U uit de stoel. Plaats de armlegger op dezelfde hoogte als het zitkussen voor een zijdelingse transfer (verwijs naar paragraaf 2.6).

2.2.2 Correcte positie in de stoel

Enkele aanbevelingen om comfortabel van Uw stoel gebruik te maken:

- Plaats Uw zitvlak zo dicht mogelijk bij de rug.

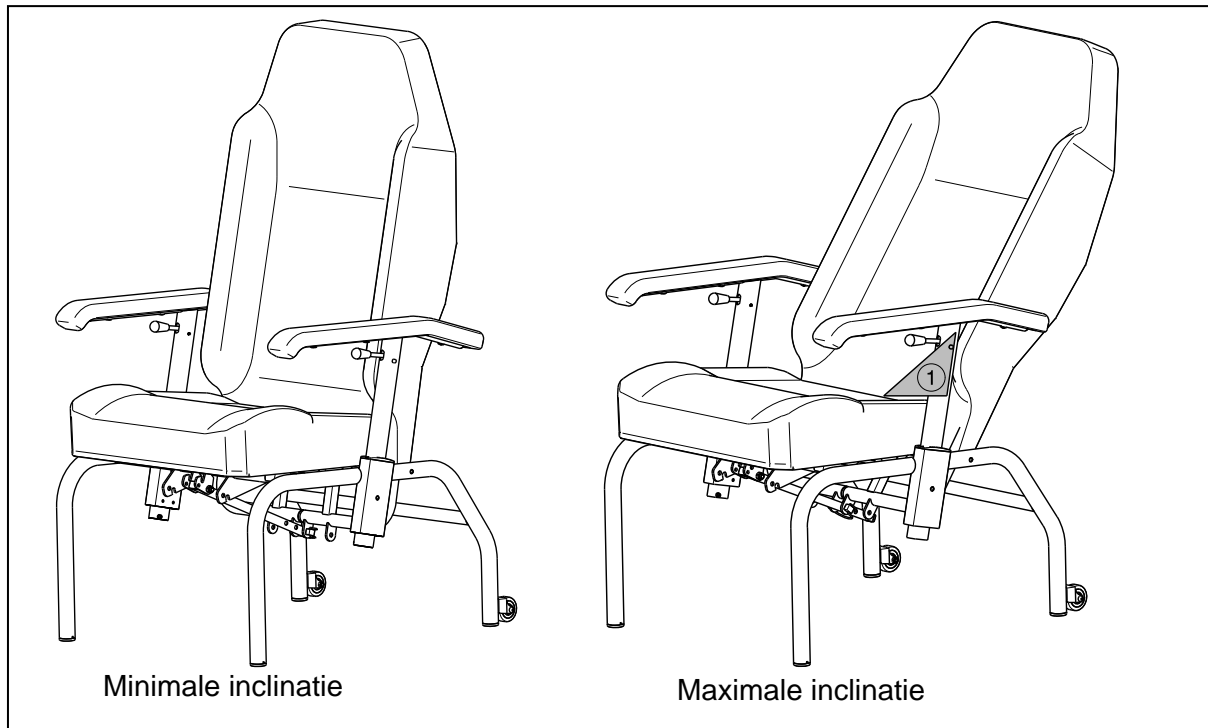
2.2.3 Verplaatsen / transporteren van de stoel

- ⚠ WAARSCHUWING: Kans op knellen – Let op wanneer U door nauwe doorgangen, zoals deuren, rijdt.**
- ⚠ WAARSCHUWING: Gevaar voor brandwonden– Wees voorzichtig bij het rijden in extreem warme of koude omgevingen voor een bepaalde tijd en bij het aanraken - de oppervlakken kunnen de omgevingstemperatuur aannemen.**
- ⚠ WAARSCHUWING: Gevaar voor letsel – Tijdens het transporteren mogen er geen personen of voorwerpen onder de comfortstoel zijn.**
1. Zorg dat de remmen van de comfortstoel aan staan (enkel voor Normandie + wielen).
 2. Neem de patiënt uit de stoel.
 3. Maak de remmen los.
 4. Transporteer de stoel via een vlakke ondergrond naar de gewenste plaats.
 5. Zet de remmen vast.
 6. Zet de patiënt in de stoel.

2.3 Ruginclinatie Provence

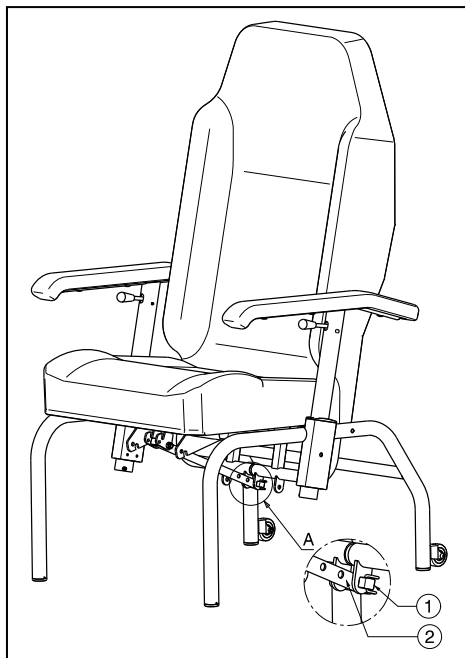
- ⚠ WAARSCHUWING: Kans op kantelen - Zorg ervoor dat de comfortstoel niet achterover kan kantelen wanneer deze zo ver mogelijk naar achteren is geplaatst.**
- ⚠ WAARSCHUWING: Kans op letsel – Zorg ervoor dat geen voorwerpen of individuen in de buurt van het verstel bereik komen (zie knelpunten zones).**

⚠ WAARSCHUWING: Gevaar voor letsel – Plaats Uw vingers, kledij, kabels of andere onderdelen niet tussen de knelpunten zones.



De hoek van de rug kan worden geïnclineerd met behulp van een verstelbuis.

De knelpunten zones zijn in bovenstaande figuur met ① aangegeven.

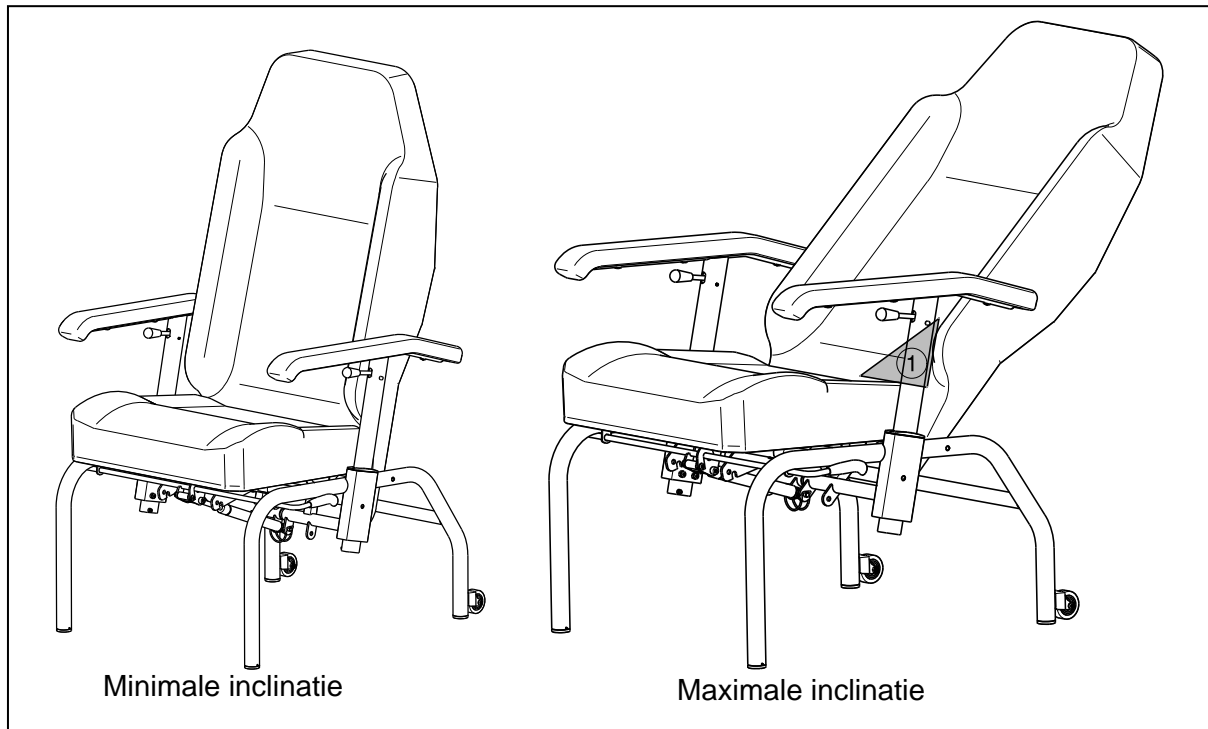


Kanteling van de comfortstoel:

1. De inclinatie van de comfortstoel kan worden versteld met behulp van de verstelbuis ② en de borgpen ① juist onder de zit van de comfortstoel. (Controleer dat er genoeg ruimte is tussen de comfortstoel en muur tijdens het kantelen van de stoel: 380 mm).
2. Verwijder de pijpborgpen ①.
3. Beweeg de rug tot de gewenste boring van de verstelbuis ② (3 verschillende posities 10° - 32°: stappen van 11°).
4. Monteer de pijpborgpen ① terug.

2.4 Ruginclinatie Languedoc

- ⚠ **WAARSCHUWING:** Kans op kantelen - Zorg ervoor dat de comfortstoel niet achterover kan kantelen wanneer deze zo ver mogelijk naar achteren is geplaatst.
- ⚠ **WAARSCHUWING:** Kans op letsel – Zorg ervoor dat geen voorwerpen of individuen in de buurt van het verstel bereik komen (zie knelpunten zones).
- ⚠ **WAARSCHUWING:** Gevaar voor letsel – Plaats Uw vingers, kledij, kabels of andere onderdelen niet tussen de knelpunten zones.



De hoek van de rug kan worden versteld met behulp van een pneumatische gasveer.

De knelpunten zones zijn in bovenstaande figuur met ① aangegeven.

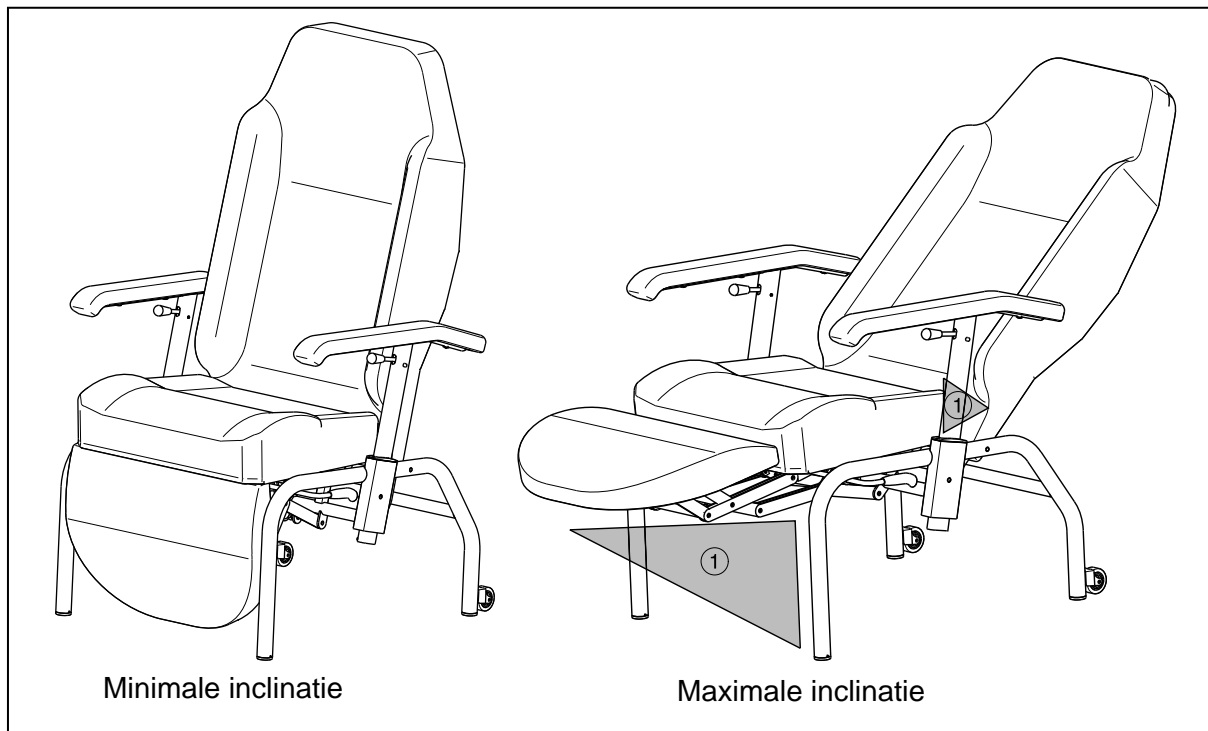
Kanteling van de comfortstoel:

1. De comfortstoel kan met behulp van de verstelhendel aan de zijkant naast de zitbuizen ter hoogte van de armsteunbevestiging worden versteld. (Controleer dat er genoeg ruimte is tussen de comfortstoel en muur tijdens het kantelen van de stoel: 380 mm).

Trek de hendel zachtjes naar boven, de gasveer komt los en de rug kan verplaatst worden naar de gewenste positie. Als U de hendel terug los laat, blokkeert de gasveer en de rug stopt op de gewenste positie (ruginclinatie: 13° - 45°).

2.5 Ruginclinatie van Normandie, Normandie XXL

- ⚠ **WAARSCHUWING:** Kans op kantelen - Zorg ervoor dat de comfortstoel niet achterover kan kantelen wanneer deze zo ver mogelijk naar achteren is geplaatst.
- ⚠ **WAARSCHUWING:** Kans op letsel – Controleer dat de remmen aan staan alvorens de comfortstoel te kantelen (enkel voor Normandie + wielen).
- ⚠ **WAARSCHUWING:** Kans op letsel – Zorg ervoor dat geen voorwerpen of individuen in de buurt van het verstel bereik komen (zie knelpunten zones).
- ⚠ **WAARSCHUWING:** Gevaar voor letsel – Plaats Uw vingers, kledij, kabels of andere onderdelen niet tussen de knelpunten zones.



De hoek van de rug en beensteun kunnen worden versteld met behulp van een pneumatische gasveer.

De knelpunten zones zijn in bovenstaande figuur met ① aangegeven.

Kanteling van de comfortstoel:

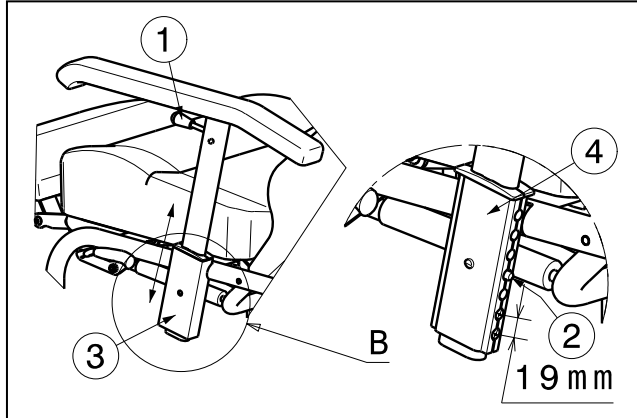
1. Zet de remmen vast (enkel voor de Normandie + wielen).
2. De comfortstoel kan met behulp van de verstelhendel aan de zijkant naast de zitbuizen ter hoogte van de armsteunbevestiging worden versteld. (Controleer dat er genoeg ruimte is tussen de comfortstoel en muur tijdens het kantelen van de stoel: 380 mm).

Trek de hendel zachtjes naar boven, de gasveer komt los en de rug/beensteun kan verplaatst worden naar de gewenste positie. Als U de hendel terug los laat, blokkeert de gasveer en de rug/beensteun stopt op de gewenste positie (ruginclinatie: 13° - 45°; beensteun inclinatie: 0° - 90°).

2.6 Afstellen van de armsteunen

De armsteunen kunnen in hoogte versteld worden. Als de patiënt zijdelings verplaatst moet worden, kunnen ze tot op de hoogte van de zit worden geplaatst.

Armsteunen verstellen in hoogte:



Trek de hendel van de armsteunen ① naar boven (in de richting van de armlegger).

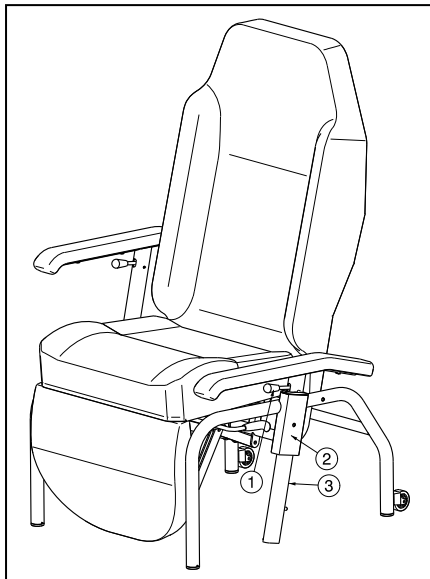
De vergrendelingsveer ② wordt hierdoor ontgrendeld en de armsteun kan in de armsteun houder ③ naar de gewenste positie worden verplaatst (Bereik 57 mm: (4 mogelijke posities: stappen van 19 mm).

De 3 bovenste boringen van het onderdeel voor de geleiding ④ worden niet gebruikt.



WAARSCHUWING: Kans op letsel - Als de vergrendelingsveer ② buiten de armsteun houder ③ komt, is de armsteun niet vergrendeld. Gebruik deze positie enkel voor de zijdelingse verplaatsing van de patiënt.

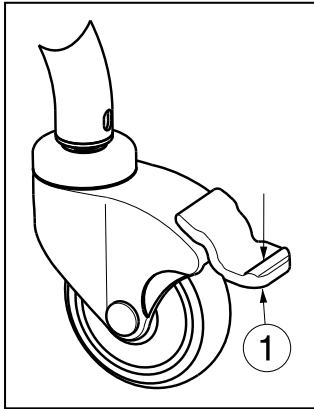
Positie voor de zijdelingse verplaatsing van de patient:



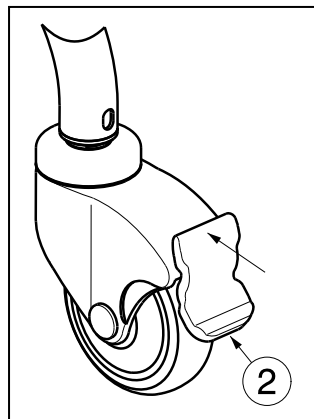
Om de armsteun in de positie voor de zijdelingse transfer te zetten, trekt U de hendel ① naar boven en zet U de armsteun in de laagst mogelijke stand. Nu komt de armlegger op dezelfde hoogte als het zitkussen.

2.7 Loopwielen / Parkeerremmen (enkel voor de Normandie + wielen)

- ⚠ **WAARSCHUWING:** Gevaar voor letsel – Voor het parkeren van de comfortstoel moeten de vier loopwielen worden vergrendeld.
- ⚠ **WAARSCHUWING:** De werking van de remmen worden beïnvloed door slijtage en vervuiling van de wielen (water, olie, slijk, ...) – Controleer voor elk gebruik de staat van de wielen.
- ⚠ **WAARSCHUWING:** De remmen zijn instelbaar en kunnen verouderen – Controleer voor elk gebruik de goede werking van de remmen.
- ⚠ **VOORZICHTIG:** Gevaar op ongecontroleerde bewegingen - Zorg ervoor dat alvorens de remmen los te zetten, de comfortstoel vlak staat. Los nooit alle remmen tegelijk.



- 1** Vergrendelen van de parkeerremmen
 Druk met Uw voet de grijze remplaat van de wielen omlaag tot deze stopt. De wielen kunnen nu niet meer rollen.



- 2** Ontgrendelen van de parkeerremmen
 Druk met Uw voet de grijze remplaat van de wielen naar het frame toe. De wielen worden nu ontgrendeld en kunnen zowel rollen als draaien.

2.8 Nemen van hindernissen met oprijplaten

⚠ WAARSCHUWING: Kans op kantelen – Ga nooit op of over oprijplaten zonder de hulp van een begeleider.

Wanneer U voor het nemen van hindernissen oprijplaten wenst te gebruiken, dient U rekening te houden met volgende tips:

In principe wordt de comfortstoel in de eerste plaats binnenshuis gebruikt op een vlakke, vaste ondergrond. Gebruik geen oprijplaten die ruw of hobbelige randen hebben, of de comfortstoel niet uitgerust is met 4 zwenkwielen. De maximale hellingshoek naar boven of beneden bedraagt 6% (3°).

2.9 Transport in de auto

⚠ WAARSCHUWING: Gevaar voor letsel – Zorg ervoor dat de stoel voldoende is vastgemaakt in de auto of de bestelwagen.

Om de stoel in de auto te transporteren:

1. Verwijder de accessoires.
2. Berg deze veilig op.
3. Plaats de stoel in de bagageruimte.
4. Indien de stoel en de passagiersruimte NIET gescheiden zijn, sjoer het frame van de stoel goed vast aan het voertuig. U kunt hiervoor gebruik maken van de veiligheidsgordels die in het voertuig voorhanden zijn.

3 Montage en instellingen

De in dit hoofdstuk beschreven instructies zijn bestemd voor de vakhandelaar.

Om een servicepunt of vakhandelaar in Uw buurt te vinden, neemt U contact op met de dichtstbijzijnde Vermeiren faciliteit. Een lijst van de Vermeiren faciliteiten zijn terug te vinden op de laatste bladzijde.

- ⚠ **WAARSCHUWING: Risico bij onveilige instellingen - Gebruik enkel de instellingen beschreven in deze handleiding.**
- ⚠ **WAARSCHUWING: Variaties van de toelaatbare instellingen kunnen de stabiliteit van Uw product beïnvloeden (naar achteren of op zij kantelen).**

3.1 Gereedschap

Om de comfortstoel te monteren is geen gereedschap nodig.

3.2 Leveringsomvang

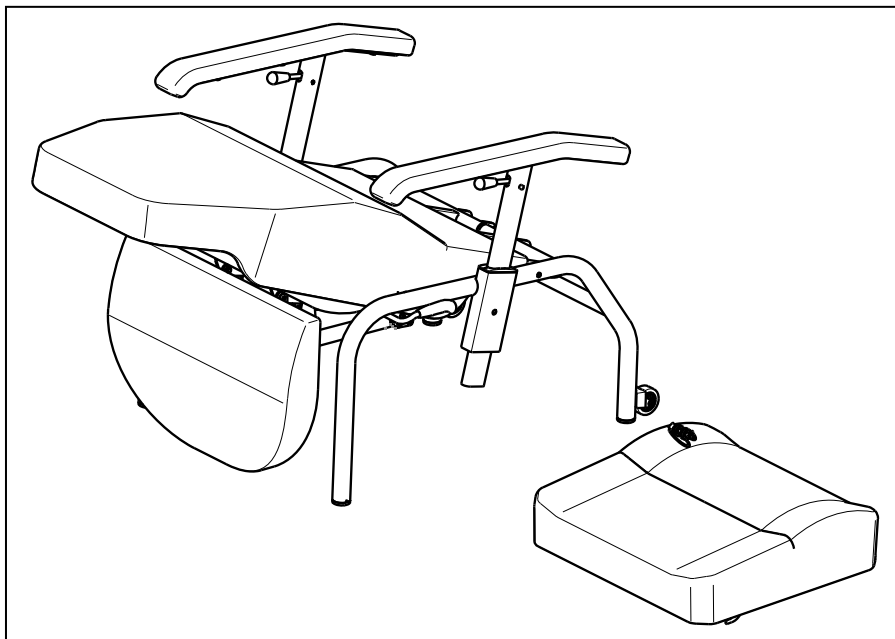
Het Vermeiren product wordt als volgt geleverd:

- Frame met zit- en rugkussens
- Armsteunen
- Beensteun (enkel voor Normandie en Normandie XXL)
- Gasveren (enkel voor Normandie en Normandie XXL)
- Handleiding
- Twee spaanplaatschroeven
- Accessoires

Controleer vóór gebruik of alles is meegeleverd en er geen producten zijn beschadigd (tijdens het transport bijvoorbeeld...).

3.3 Monteren van de comfortstoel

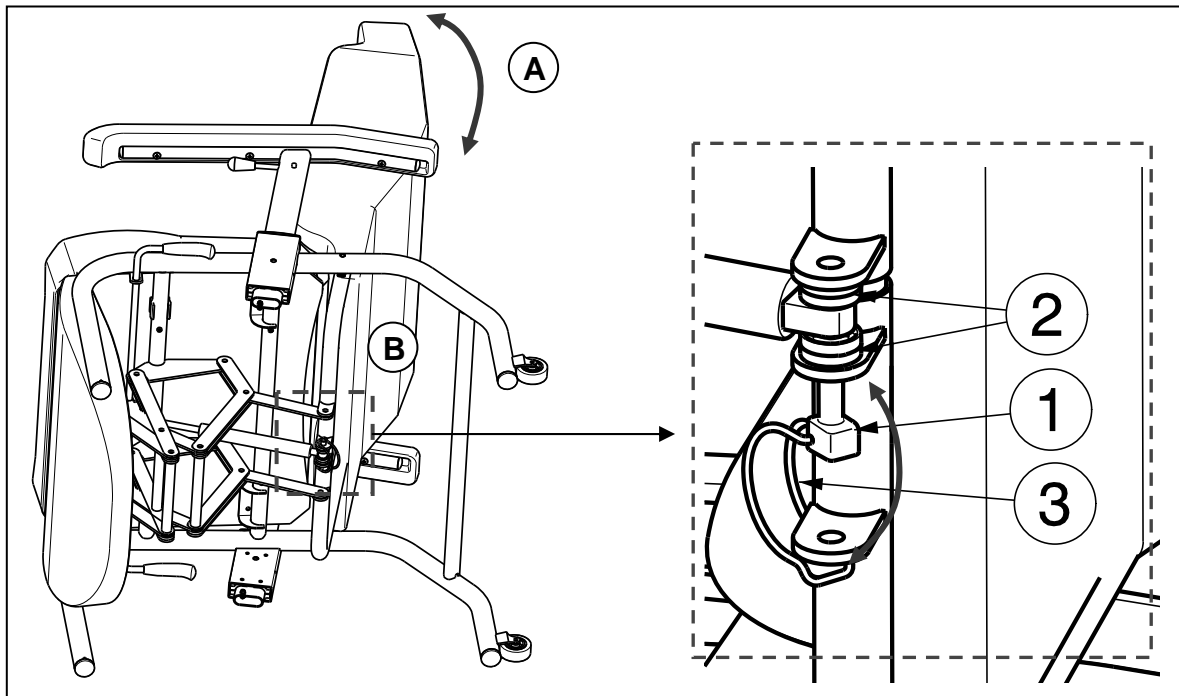
De comfortstoel wordt geleverd zoals in onderstaande figuur weergegeven. Gebruik de onderstaande instructies voor de montage van de comfortstoel.



3.3.1 Monteren van de rug

Voor de montage van de rug, moet U het model zijwaarts op een plat oppervlak leggen.

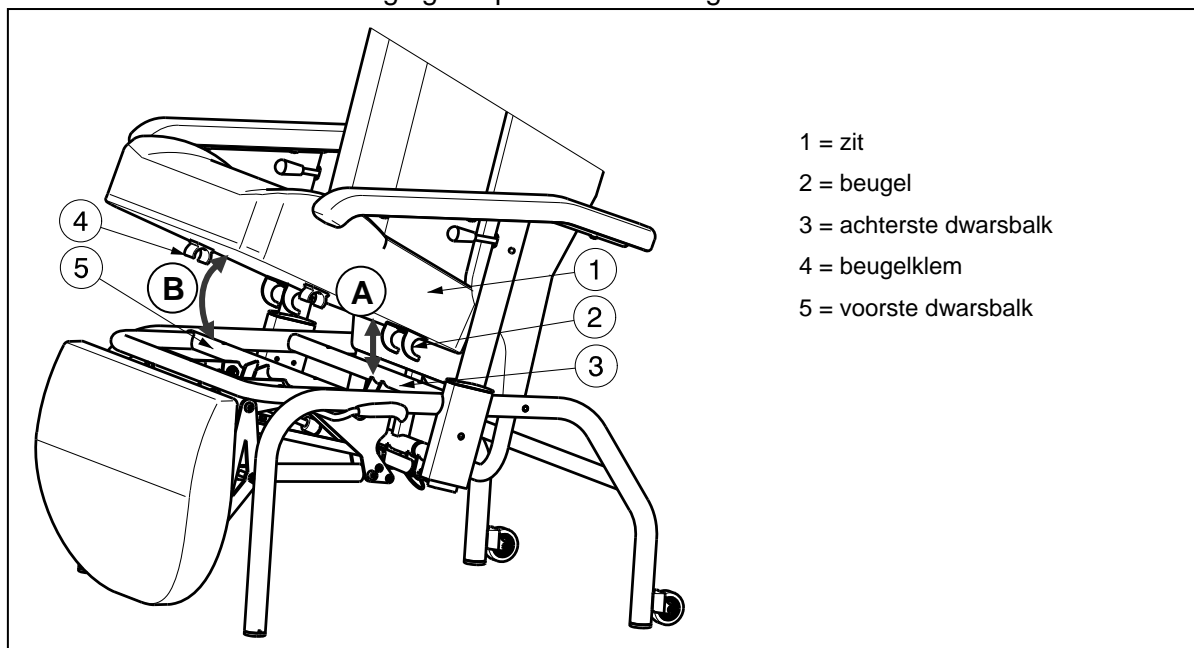
- (A)** Beweeg de rug naar achteren totdat de uitsparingen onderaan het rugframe en het ophangingsoog van de gasveer over elkaar liggen.
- (B)** Monteer de blokkeerpen ① door de uitsparingen van de rug en de gasveer. Twee kunststof afstandhouders ② moeten voor en achter de gasveeruitsparing geplaatst worden. Zet vervolgens de blokkeerpen ① vast door de spanveer ③ zover over de pen te trekken, dat deze over het uiteinde van de spanpen past.



3.3.2 Monteren van de zit

⚠ WAARSCHUWING: Gevaar voor letsel – Let erop dat geen voorwerpen of lichaamsdelen tussen de zit en het frame komen.

De zit wordt met klembevestigingen op het frame vastgezet.



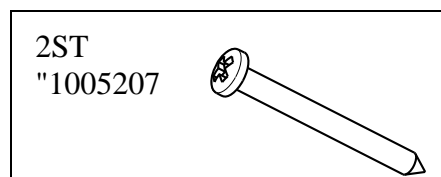
- A** Plaats de zit ① enigszins scheef op het frame zodat de beugel ② onder de achterste dwarsbalk van het frame ③ steekt.
- B** Druk de zit ① aan de voorkant naar beneden, zodat de beugelklem ④ op de voorste dwarsbalk van het frame ⑤ klikt.

Beweeg de rug een beetje naar achteren als U niet genoeg plaats heeft om het zitkussen op het frame te monteren.

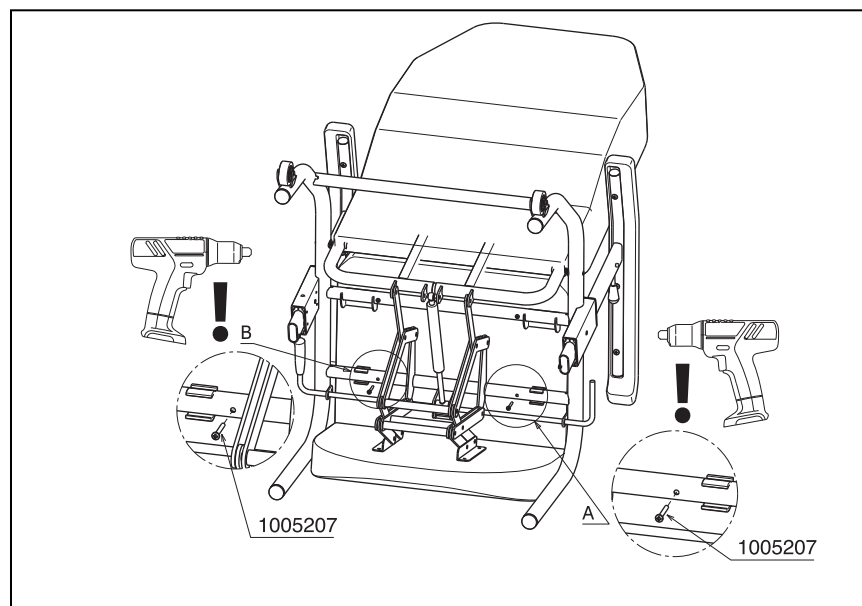
Wanneer U de zit los wilt maken, gaat U omgekeerd te werk.

3.3.3 Bevestiging van de zit

Inbegrepen bij de levering: twee spaanplaatschroeven.



Monteren van twee spaanplaatschroeven om het zitkussen vast te maken. Wees U er van bewust dat het kussen niet meer uit de stoel kan verwijderd worden. Spaanplaatschroeven kunnen eenmalig worden gemonteerd met behulp van een boormachine.



4 Onderhoud

Voor de onderhoudshandleiding van de comfortstoelen kan U de website van Vermeiren raadplegen: www.vermeiren.be, www.vermeiren.nl.



Inhalt

Vorwort	2
1 Produkt beschreibung	3
1.1 Zweckbestimmung	3
1.2 Technische Daten	4
1.3 Bauteile.....	5
1.4 Zeichenerklärung.....	6
1.5 Zubehör	6
1.6 Für Ihre Sicherheit.....	6
2 Verwendung	7
2.1 Transport des Komfortstuhls	7
2.2 Empfehlungen für die Verwendung des Komfortstuhls	8
2.3 Neigung der Rücken der Provence.....	9
2.4 Neigung der Rücken der Languedoc	10
2.5 Neigung der Rücken der Normandie, Normandie XXL	11
2.6 Einstellen der Armlehnen	12
2.7 Laufrollen / Feststellbremsen (nur bei Normandie mit Rädern).	12
2.8 Überwinden von Bordsteinen mithilfe von Rampen.....	13
2.9 Transport in einem Kraftfahrzeug	13
3 Zusammenbau und Einstellung.....	14
3.1 Werkzeuge	14
3.2 Lieferumfang	14
3.3 Zusammenbau des Komfortstuhls	14
4 Wartung.....	16



Vorwort

Zuerst möchten wir uns für das Vertrauen bedanken, das Sie in uns gesetzt haben, indem Sie sich für eines unserer Produkte entschieden haben.

Die Vermeiren-Produkte sind das Ergebnis langjähriger Forschung und Erfahrung. In der Entwicklungsphase wurde besonderer Wert auf Bedienerfreundlichkeit und leichte Wartung des Produktes gelegt.

Die zu erwartende Lebensdauer Ihres Produktes hängt stark von der Wartung und Pflege ab, die für den Produkt aufgewendet wird.

Diese Bedienungsanleitung soll Ihnen helfen, sich mit der Benutzung Ihres Produktes vertraut zu machen.

Das Befolgen der Bedienungsanleitung und der Wartungshinweise bildet einen wesentlichen Teil der Gewährleistungsbedingungen.

Diese Bedienungsanleitung spiegelt die neuesten Produktentwicklungen wider. Das Unternehmen Vermeiren behält sich jedoch das Recht vor, Änderungen vorzunehmen. Dabei besteht keine Verpflichtung, die früher ausgelieferten Modelle anzupassen oder zu ersetzen.

Sollten Sie weitere Fragen haben, so wenden Sie sich bitte an Ihren Fachhändler.

1 Produkt beschreibung

1.1 Zweckbestimmung

Der Komfortstuhl Provence, Normandie, Languedoc wurde ausschließlich zu Ihrer Bequemlichkeit entwickelt.

Die Komfortstuhl ist für eine Person vorgesehen.

Personen, die den Komfortstuhl nutzen möchten, müssen mindestens Ihren Torso ausreichend beherrschen und dürfen keine Gleichgewichtsstörungen aufweisen, wenn diese die seitliche Stabilität beeinträchtigen.

Der Komfortstuhl ist AUSSCHLIESSLICH für die Verwendung in Innenräumen vorgesehen.

Für den Transport der Provence, Normandie, Languedoc benötigen Sie einen Helfer, und die Komfortstuhl benötigt möglicherweise einen speziellen Aufbewahrungsort.

Die Vielfalt an Zubehörvarianten sowie die Bauweise erlauben den Transport eines Menschen mit Gehbehinderung/Gehunfähigkeit aufgrund von:

- Lähmungen
- Schwäche/Fehlbildung von Gliedmaßen (unter Beibehaltung der Beherrschung des Torso)
- Verletzungen der Gelenke
- Herzkrankheiten oder schwachem Blutkreislauf

Bei der Indikation müssen unter anderem die folgenden Faktoren berücksichtigt werden:

- Größe und Gewicht (**max. Belastung 130 kg; 350 kg für XXL Modell**)
- Körperlicher und geistiger Zustand
- Wohnungsumfeld

Die Komfortstuhl darf nur auf Flächen verwendet werden, auf denen alle vier Räder / Füße den Boden berühren und ausreichend Kontakt vorhanden ist, um die Räder gleichmäßig anzutreiben.

Der Komfortstuhl darf nicht als Leiter oder als Transportmittel für schwere oder heiße Objekte verwendet werden.

Wird der Lifter auf Matten, Auslegeware oder Teppichböden verwendet, könnten diese Bodenbeläge beschädigt werden.

Es muss immer das am besten geeignete Modell für die Größe/Statue des Patienten ausgewählt werden. Die Sitzsysteme wurden nach ergonomischen Grundlagen zu Ihrer Bequemlichkeit geformt.

Verwenden Sie ausschließlich von Vermeiren genehmigtes Zubehör.


Für Schäden durch nicht oder mangelhaft durchgeführte Wartung oder durch Nichtbeachtung der folgenden Anweisungen übernimmt der Hersteller keine Haftung.

Das Befolgen der Bedienungsanleitung und der Wartungshinweise bildet einen wesentlichen Teil der Garantiebedingungen.

Sehbehinderte können sich zur Erläuterung der Bedienungsanleitung an den Händler wenden.

1.2 Technische Daten

Die unten stehenden technischen Daten gelten für das Produkt in der Standardausführung mit Sitzpolster. Wenn anderes Zubehör verwendet wird, gelten andere Werte als die in der Tabelle angegebenen.

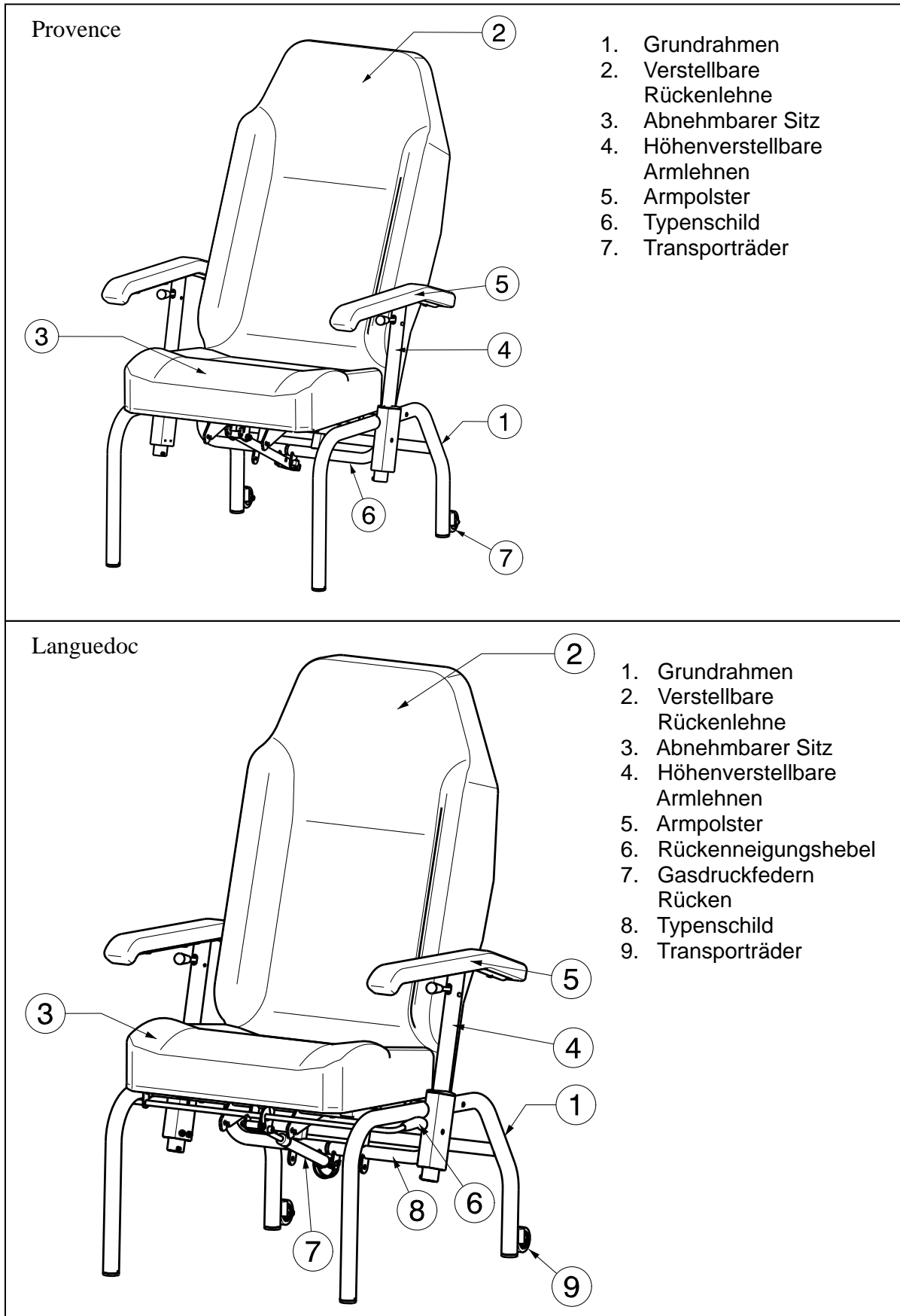
Hersteller	Vermeiren				
Adresse	Vermeirenplein 1/15, B-2920 Kalmthout				
Typ	Komfortstuhl				
Modell	Provence	Languedoc	Normandie	Normandie XXL	
Max. zulässiges Gewicht des Rollstuhlfahrers	130 kg	130 kg	130 kg	350 kg	
Beschreibung	Min. - Max.	Min. - Max.	Min. - Max.	Min. - Max.	
Gesamtlänge	750 mm	750 mm	750 mm	760 mm	
Länge zerlegt	1080 mm	1080 mm	1080 mm	1080 mm	
Effektive Sitzbreite	540 mm	540 mm	540 mm	770 mm	
Gesamtbreite	660 mm	660 mm	660 mm	890 mm	
Breite zerlegt	660 mm	660 mm	660 mm	890 mm	
Gesamthöhe	1150 mm	1200 mm	1200 mm	1200 mm	
Höhe zerlegt	810 mm	810 mm	810 mm	810 mm	
Gesamtgewicht	ca. 21,85 kg	ca. 22,85 kg	ca. 24,85 kg	ca. 37,75 kg	
Gewicht des schwersten Teils	19,10 kg	20,10 kg	22,10 kg	32,40 kg	
Gewichte von Teilen, die demontierbar oder abnehmbar sind	Sitzkissen: 2,75 kg	Sitzkissen: 2,75 kg	Sitzkissen: 2,75 kg	Sitzkissen: 5,35 kg	
Statische Stabilität, bergab	6 % (in der Standardkonfiguration)				
Statische Stabilität, bergauf	6 % (in der Standardkonfiguration)				
Überfahren von Hindernissen	Nicht zutreffend				
Winkel der Sitzfläche	8°			7°	
Effektive Sitztiefe	440 mm	440 mm	440 mm	480 mm	
Höhe der Sitzoberfläche an der Vorderkante	510 mm	510 mm	510 mm	510 mm	
Dicke der Sitzkissen	100 mm	100 mm	100 mm	100 mm	
Rückenlehnenwinkel	10° - 32°	13° - 45°	13° - 45°	13° - 40°	
Rückenlehnenhöhe	780 mm	780 mm	780 mm	780 mm	
Abstand zwischen Beinstütze und Sitz	--	--	300 mm	360 mm	
Winkel zwischen Sitz und Beinstütze	--	--	0° - 90°	0° - 80°	
Höhe der Armlehnen	-1,5 mm (nur für seitlichen Ein-/Ausstieg)				
	138 mm - 170 mm	138 mm - 170 mm	138 mm - 170 mm	138 mm - 220 mm	
Maximaler Abstand zwischen Wand und Komfortstuhl	380 mm	380 mm	380 mm	380 mm	
Gasfeder Rücken / Beinstütze	--	--	150 N	850 N	
Temperaturbereich für Lagerung und Nutzung	+ 5 °C - + 40°C	+ 5 °C - + 40°C	+ 5 °C - + 40°C	+ 5 °C - + 40°C	
Luftfeuchtigkeitsbereich für Lagerung und Nutzung	30% - 70%	30% - 70%	30% - 70%	30% - 70%	

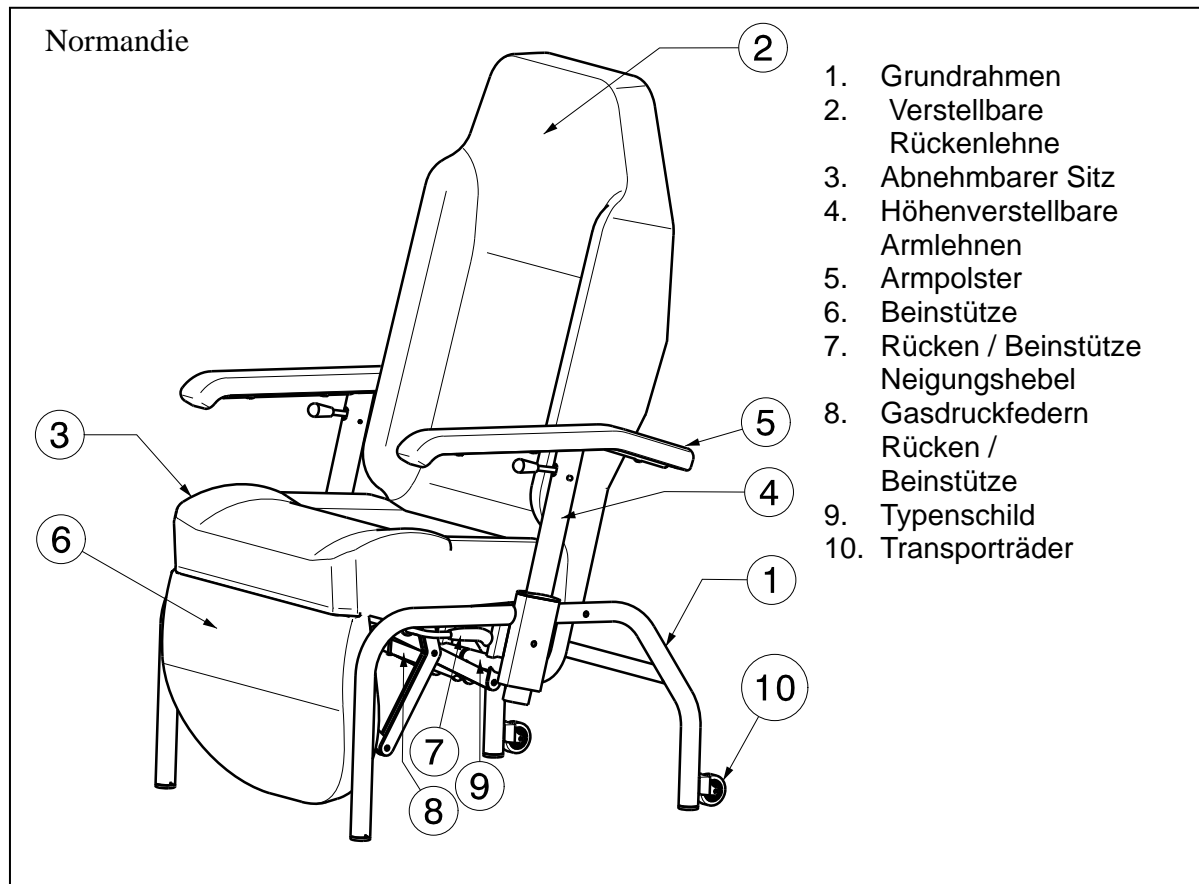
Technische Änderungen vorbehalten. Messtoleranzen ± 15 mm / 1,5 kg / °

Tabelle 1: Technische Daten

Die Komfortstuhl entspricht den Anforderungen der folgenden Normen:
EN 1021-1, EN1021-2: Beständigkeit gegen Entzündung von gepolsterten Teilen

1.3 Bauteile





1.4 Zeichenerklärung



Max. zulässiges Gewicht



Nur innenbereich



CE-Konformität



Typenbezeichnung

1.5 Zubehör

Verstellbare/verbreiterte Armlehnen

Schiebebügel (Standard bei Ausstattung mit Lenkrollen)

Verstellbare Fußschemel (Für Provence und Languedoc)

Einteilige Fußplatte

Elektrische Rückenneigung (Normandie E)

1.6 Für Ihre Sicherheit

Nachfolgend führen wir einige Sicherheitstipps auf, die Sie beachten sollten:

- ⚠ Halten Sie die Anweisungen zur Verwendung der Komfortstuhl ein.
- ⚠ Achten Sie darauf, dass keine Gegenstände und/oder Körperteile zwischen die Einstellungssysteme (Neigung der Beinstütze (nur für Normandie), Rücken usw.) gelangen, da sonst Verletzungen und/oder Beschädigungen an der Komfortstuhl auftreten können.
- ⚠ Überprüfen Sie regelmäßig die Funktionsfähigkeit der Rollenfeststellbremsen (nur für Normandie mit Rädern).

- ⚠ Die Feststellbremsen müssen angezogen werden, bevor die Komfortstuhl belegt oder verlassen wird (nur für Normandie mit Rädern).
- ⚠ Achten Sie beim Ergreifen von Gegenständen (die vor, seitlich oder hinter der Komfortstuhl liegen) darauf, dass Sie sich nicht zu weit aus der Komfortstuhl lehnen, da durch Schwerpunktverlagerung eine Kippgefahr besteht.
- ⚠ Achten Sie beim Bewegen durch Türen, Durchgänge usw., dass seitlich ausreichend Platz vorhanden ist, damit die Komfortstuhl nicht beschädigt wird.
- ⚠ Stellen Sie beim Kippen des Komfortstuhls sicher, dass nach oben und zur Seite ausreichend Platz vorhanden ist. Andernfalls können die Bewegungen bei der Ausrichtung zu Verletzungen oder Schäden führen.
- ⚠ Setzen Sie die Komfortstuhl nur bestimmungsgemäß ein. Vermeiden Sie z.B. ein ungebremstes Fahren gegen ein Hindernis (Stufe, Bordsteinkante, Türzarge usw.) oder Herunterspringen von Absätzen. Der Hersteller übernimmt keine Garantie für Beschädigungen aufgrund von Überlastung, Falschmontage oder sonstigem unsachgemäßen Gebrauch.
- ⚠ Fassen Sie den Komfortstuhl für den Transport nie an beweglichen Teilen an (z. B. der Beinstütze) und transportieren Sie ihn nie geneigt.
- ⚠ Belassen Sie den Komfortstuhl nicht in geneigter Position, wenn er nicht benutzt wird.
- ⚠ Setzen Sie sich nicht auf die Bein- oder Armlehnen.
- ⚠ Lehnen Sie sich nicht gegen die Bein- oder Rückenstützen, da das Risiko des Umkippen besteht.
- ⚠ Achten sie darauf, dass die **maximale Zuladung** nicht überschritten wird.
- ⚠ Verwenden Sie den Komfortstuhl nur auf waagerechten Untergründen, wobei immer alle 4 Rollen / Füße den Boden berühren müssen.
- ⚠ Verwenden Sie nur Zubehör, Ersatzteile oder Gasdruckfedern, die von Vermeiren zugelassen wurden.
- ⚠ Öffnen Sie keine Gasdruckfedern, da diese unter hohem Druck stehen – Verletzungsgefahr !
- ⚠ Bei Beschädigung der Gasdruckfedern ist eine weitere Nutzung des Komfortstuhls untersagt. Setzen Sie sich umgehend mit Ihrem Fachhändler zur Instandsetzung in Verbindung.

2 Verwendung

In diesem Kapitel wird die tägliche Verwendung beschrieben. **Diese Anweisungen richten sich an den Benutzer und den Fachhändler.**

Die Komfortstuhl wird Ihnen vollständig aufgebaut von Ihrem Fachhändler geliefert. Anweisungen für den Fachhändler, wie der Komfortstuhl zusammengesetzt und eingerichtet wird, finden Sie in § 3.

2.1 Transport des Komfortstuhls

Stellen Sie die Rückenstütze zum Tragen des Komfortstuhls in die aufrechte Position. Die beste Tragemöglichkeit ist, den Komfortstuhl auf den Rädern zu rollen (nur bei Normandie mit Rädern) oder den Komfortstuhl rückwärts zu schieben und auf den beiden Transporträdern an den gewünschten Ort zu rollen.

Wenn dies nicht möglich ist, greifen Sie den Rahmen fest mit zwei Personen an den festen Teilen vorne, hinten oder an der Seite. Greifen Sie den Komfortstuhl nicht an der Beinstütze, den Armlehnen oder der Sitzfläche.

Für den Transport über Stufen/Treppen oder Bordsteinkanten usw. müssen immer mindestens zwei Personen eingesetzt werden. Es ist nicht möglich, den Stuhl mit dem Patienten zu bewegen.

Während des Transports dürfen sich keine Personen oder Gegenstände unter dem Komfortstuhl befinden, da sonst Verletzungsgefahr besteht oder Beschädigungen am Produkt entstehen können.

2.2 Empfehlungen für die Verwendung des Komfortstuhls

2.2.1 Lagerung in der Komfortstuhl und Verlassen der Komfortstuhl

- ⚠ **WARNUNG: Kippgefahr:** Achten Sie darauf, dass die Komfortstuhl nicht nach hinten umkippen kann, wenn sie maximal nach hinten gestellt ist.
- ⚠ **VORSICHT:** Falls Sie sich nicht allein sicher in den Rollstuhl oder aus diesem heraus umsetzen können, bitten Sie jemanden um Hilfe.

Die Lagerung des Patienten im Komfortstuhl sollte entsprechend den folgenden Anweisungen erfolgen:

1. Vergewissern Sie sich, dass die Bremsen des Komfortstuhls angezogen sind (nur bei Normandie mit Rädern).
2. Stellen Sie den Komfortstuhl mit den Einstellhebeln so weit wie möglich nach vorne (maximale Neigung).
3. Lösen Sie die Bremsen.
4. Positionieren Sie den Komfortstuhl so nah wie möglich an dem Stuhl, der Couch oder dem Bett, von dem bzw. der Sie die Umlagerung vornehmen möchten.
5. Überprüfen Sie, dass die Bremsen der Komfortstuhl angezogen sind.
6. Lagern Sie den Patienten in die Komfortstuhl um. Bringen Sie für einen seitlichen Einstieg das Armpolster in die gleiche Höhe wie das Sitzkissen (siehe Absatz 2.6).
7. Stellen Sie die Stuhl so weit wie möglich nach hinten (maximale Neigung).

Die Lagerung des Patienten aus der Komfortstuhl sollte entsprechend den folgenden Anweisungen erfolgen:

1. Überprüfen Sie, ob die Bremsen der Komfortstuhl angezogen sind.
2. Stellen Sie den Komfortstuhl mit den Einstellhebeln so weit wie möglich nach vorne (maximale Neigung).
3. Lösen Sie die Bremsen.
4. Positionieren Sie den Komfortstuhl so nah wie möglich an dem Stuhl, der Couch oder dem Bett, zu dem Sie die Umlagerung vornehmen möchten.
5. Lagern Sie den Patienten aus der Komfortstuhl um. Bringen Sie für einen seitlichen Einstieg das Armpolster in die gleiche Höhe wie das Sitzkissen (siehe Absatz 2.6).

2.2.2 Richtige Sitzposition im Stuhl

Einige Empfehlungen für die komfortable Verwendung des Stuhls:

- Setzen Sie sich möglichst weit nach hinten, so dass Ihr Rücken an der Rückenlehne anliegt.

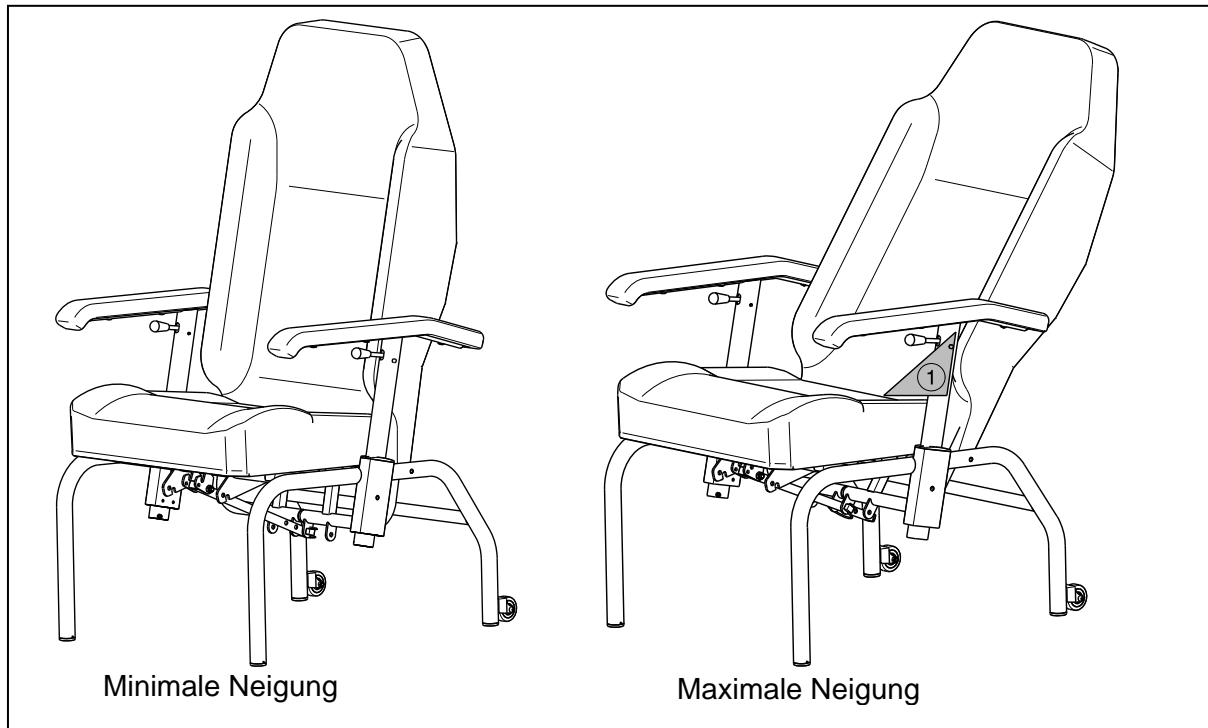
2.2.3 Bewegen/Transportieren der Komfortstuhl

- ⚠ **WARNUNG: Klemmgefahr:** Seien Sie in engen Durchfahren (z. B. Türen) vorsichtig.
 - ⚠ **WARNUNG: Verbrennungsgefahr:** Seien Sie vorsichtig, wenn Sie die Komfortstuhl bei einer längeren Verwendung in heißen oder kalten Umgebungen berühren, die Oberflächen können die Umgebungstemperatur annehmen.
 - ⚠ **WARNUNG: Verletzungsgefahr:** Während des Transportes dürfen sich keine Personen oder Gegenstände unterhalb der Komfortstuhl befinden.
1. Vergewissern Sie sich, dass die Bremsen des Komfortstuhls angezogen sind (nur bei Normandie mit Rädern).
 2. Lagern Sie den Patienten aus der Komfortstuhl um.
 3. Lösen Sie die Bremsen.
 4. Transportieren Sie die Komfortstuhl an den gewünschten Ort mit einem horizontalen Untergrund.

5. Ziehen Sie die Bremsen an.
6. Lagern Sie den Patienten in die Komfortstuhl um.

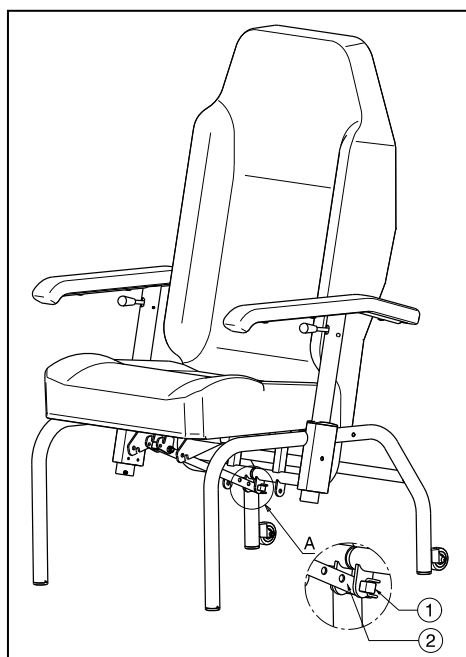
2.3 Neigung der Rücken der Provence

- ⚠ **WARNUNG: Kippgefahr:** Achten Sie darauf, dass die Komfortstuhl nicht nach hinten umkippen kann, wenn sie maximal nach hinten gestellt ist.
- ⚠ **WARNUNG: Verletzungsgefahr –** Achten Sie darauf, dass sich im Einstellbereich keine Objekte oder Personen befinden (siehe Zonen mit Einklemmgefahr).
- ⚠ **WARNUNG: Verletzungsgefahr –** Achten Sie darauf, dass keine Finger, Kleidungsstücke, Riemen, Kabel oder andere Objekte eingeklemmt werden können.



Der Winkel der Rückenlehne kann mit der Verstellrohre verstellt werden.

Bereiche mit Einklemmgefahr sind in der Abbildung oben durch ① gekennzeichnet.

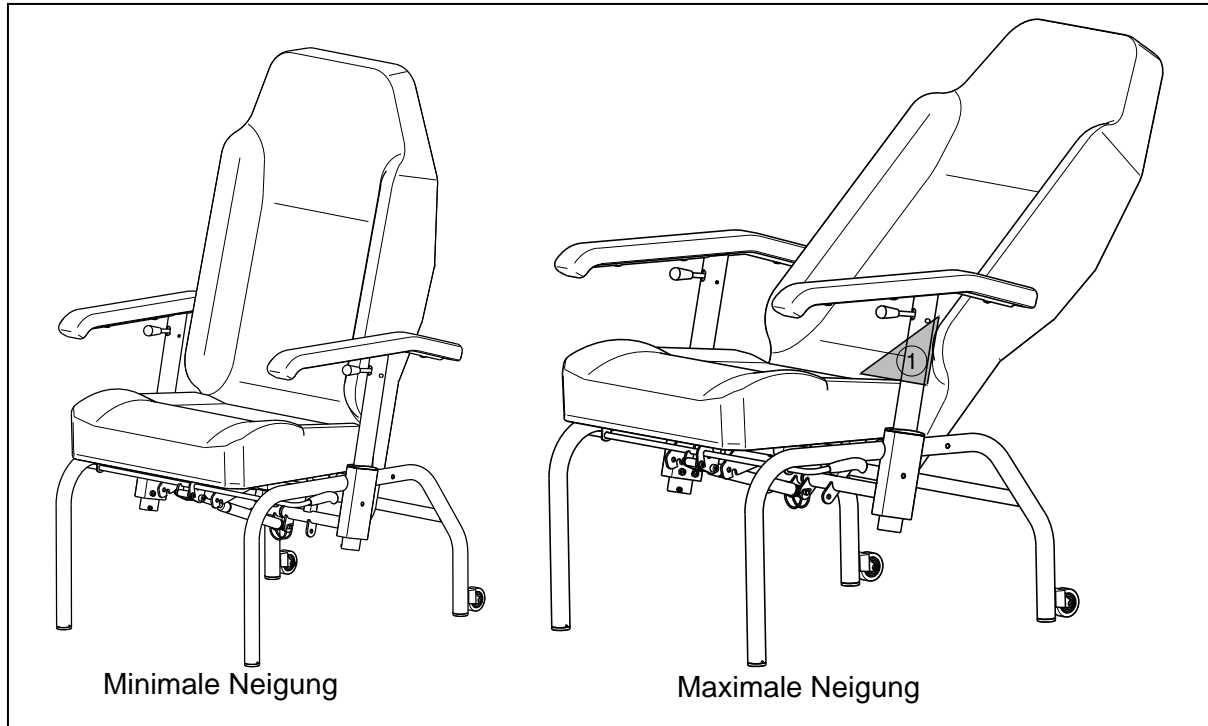


Neigung des Komfortstuhls:

1. Die Neigung des Komfortstuhls kann mit den Verstellrohre ② und der Sicherheitsstift ① unterhalb der Sitz der Komfortstuhl eingestellt werden. (Achten Sie beim Neigen des Komfortstuhls darauf, dass ausreichend Platz zur Wand besteht: 380 mm).
2. Entfernen Sie den Sicherheitsstift ①.
3. Bewegen Sie die Rücken in das richtige Loch der Verstellrohre ② (3 verschiedenen Positionen 10° - 32°: in Schritten von 11°).
4. Bringen Sie den Sicherheitsstift ① wieder an.

2.4 Neigung der Rücken der Languedoc

- ⚠ **WARNUNG:** Kippgefahr: Achten Sie darauf, dass die Komfortstuhl nicht nach hinten umkippen kann, wenn sie maximal nach hinten gestellt ist.
- ⚠ **WARNUNG:** Verletzungsgefahr – Achten Sie darauf, dass sich im Einstellbereich keine Objekte oder Personen befinden (siehe Zonen mit Einklemmgefahr).
- ⚠ **WARNUNG:** Verletzungsgefahr – Achten Sie darauf, dass keine Finger, Kleidungsstücke, Riemen, Kabel oder andere Objekte eingeklemmt werden können.



Der Winkel der Rückenstütze kann mithilfe einer Gasfeder verstellt werden.

Bereiche mit Einklemmgefahr sind in der Abbildung oben durch ① gekennzeichnet.

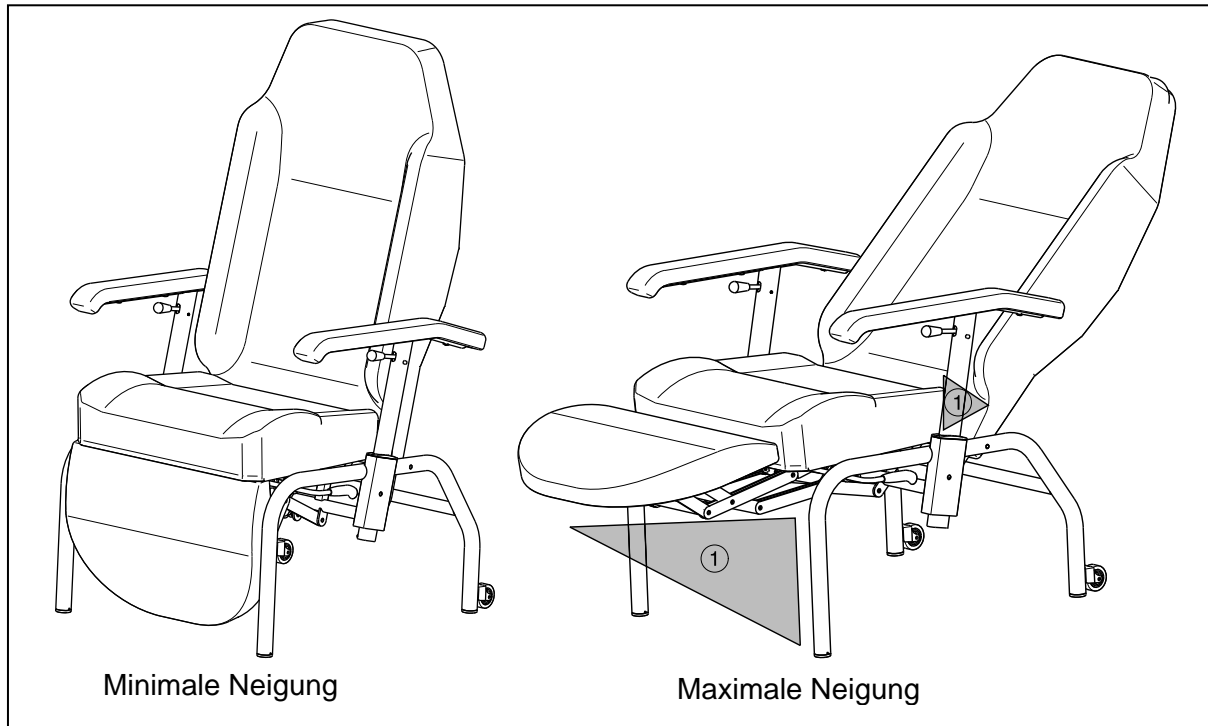
Neigung des Komfortstuhls:

1. Die Neigung des Komfortstuhls kann mit den Einstellhebel an der Seite neben den Rohren der Sitzfläche auf der Höhe des Armlehnensockels eingestellt werden. (Achten Sie beim Neigen des Komfortstuhls darauf, dass ausreichend Platz zur Wand besteht: 380 mm).

Ziehen Sie leicht am Hebel. Dadurch wird die Gasfeder freigegeben und die Rücken kann in die gewünschte Position geschoben werden. Wenn Sie den Hebel wieder loslassen, wird die Gasfeder gesperrt und die Rücken hält an der gewünschten Position an (Neigung der Rücken: 13° - 45°).

2.5 Neigung der Rücken der Normandie, Normandie XXL

- ⚠ **WARNUNG:** Kippgefahr: Achten Sie darauf, dass die Komfortstuhl nicht nach hinten umkippen kann, wenn sie maximal nach hinten gestellt ist.
- ⚠ **WARNUNG:** Verletzungsgefahr: Überprüfen Sie, dass die Bremsen angezogen sind, bevor Sie die Neigung der Komfortstuhl ändern (nur bei Normandie mit Rädern).
- ⚠ **WARNUNG:** Verletzungsgefahr – Achten Sie darauf, dass sich im Einstellbereich keine Objekte oder Personen befinden (siehe Zonen mit Einklemmgefahr).
- ⚠ **WARNUNG:** Verletzungsgefahr – Achten Sie darauf, dass keine Finger, Kleidungsstücke, Riemen, Kabel oder andere Objekte eingeklemmt werden können.



Der Winkel der Rückenstütze und der Beinstütze kann mithilfe einer Gasfeder verstellt werden.

Bereiche mit Einklemmgefahr sind in der Abbildung oben durch ① gekennzeichnet.

Neigung des Komfortstuhls:

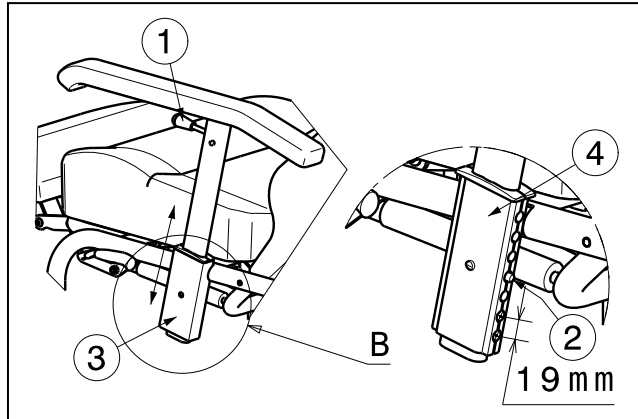
1. Ziehen Sie die Bremsen an (nur bei Normandie mit Rädern).
2. Die Neigung des Komfortstuhls kann mit den Einstellhebel an der Seite neben den Rohren der Sitzfläche auf der Höhe des Armlehnssockels eingestellt werden. (Achten Sie beim Neigen des Komfortstuhls darauf, dass ausreichend Platz zur Wand besteht: 380 mm).

Ziehen Sie leicht am Hebel. Dadurch wird die Gasfeder freigegeben und die Rücken/Beinstütze kann in die gewünschte Position geschoben werden. Wenn Sie den Hebel wieder loslassen, wird die Gasfeder gesperrt und die Rücken/Beinstütze hält an der gewünschten Position an (Neigung der Rücken: 13° - 45°; Neigung der Beinstütze: 0° - 90°).

2.6 Einstellen der Armlehnen

Die Armlehnen können in der Höhe verstellt und zum Umlagern des Patienten auf die Höhe des Sitzrahmens abgesenkt werden.

Armlehnen in der Höhe verstellt:



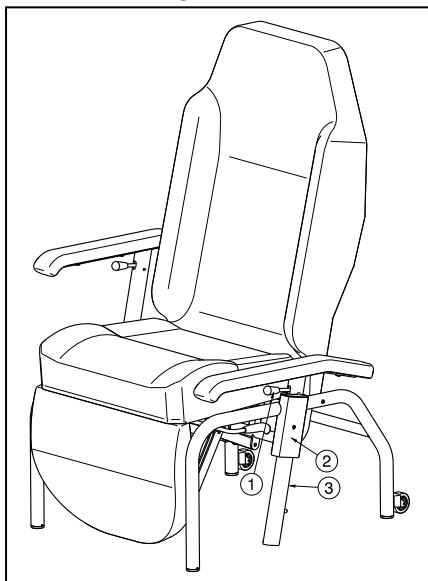
Ziehen Sie den Hebel der Armlehnen ① aufwärts (in Richtung der Armpolster).

Die Sperrfeder ② wird dadurch freigegeben und die Armlehne kann im Sockel ③ in die gewünschte Position bewegt werden (57 mm Gesamtbereich, 4 Positionen, Schritte von 19 mm).

Die 3 oberen Löcher des Führungsteils ④ dürfen nicht verwendet werden.

⚠️ WARNUNG: Verletzungsgefahr - Wenn die Sperrfeder ② außerhalb des Armlehnensockels ③ bewegt wird, ist die Armlehne nicht gesperrt. Verwenden Sie diese Position nur für die seitliche Umlagerung des Patienten.

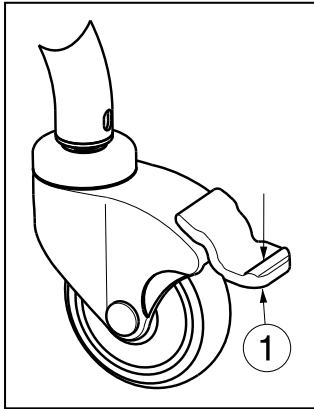
Positionierung zur seitlichen Umlagerung des Patienten:



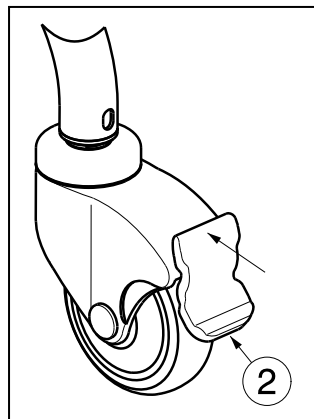
Um die Armlehne für einen seitlichen Ein-/Ausstieg abzusenken, ziehen Sie den Hebel ① und schieben Sie die Armlehne nach unten in die niedrigste Position. Das Armpolster weist nun die gleiche Höhe wie das Sitzkissen auf.

2.7 Laufrollen / Feststellbremsen (nur bei Normandie mit Rädern).

- ⚠️ WARNUNG: Verletzungsgefahr: Verriegeln Sie alle vier Rollen, um die Komfortstuhl in die Parkposition zu bringen.**
- ⚠️ WARNUNG: Die ordnungsgemäße Funktion der Bremsen kann durch Verschleiß oder Schmutz (auch Wasser, Öl, Schlamm usw.) beeinträchtigt werden. Überprüfen Sie daher vor jeder Nutzung den Zustand der Laufrollen.**
- ⚠️ WARNUNG: Die Bremsen sind verstellbar und können verschleißen. Überprüfen Sie daher vor jeder Verwendung den Zustand der Bremsen.**
- ⚠️ VORSICHT: Gefahr einer unbeabsichtigten Bewegung: Achten Sie darauf, dass der Komfortstuhl auf einer flachen, horizontalen Fläche steht, bevor Sie die Bremsen lösen. Lösen Sie niemals alle Bremsen gleichzeitig.**



- 1 Anziehen der Feststellbremsen**
Drücken Sie die grau Bremsplatte der Rolle mit dem Fuß nach unten, bis sie einrastet. Die Laufrollen sind nun unbeabsichtigtes gegen Rollen gesichert.



- 2 Lösen der Feststellbremsen**
Drücken Sie die grau Bremsplatte der Rollen mit dem Fuß in die Richtung des Rahmens. Die Laufrollen sind nun für die Roll- und Drehbewegung freigegeben.

2.8 Überwinden von Bordsteinen mithilfe von Rampen

⚠ WARNUNG: Kippgefahr: Überwinden Sie Rampen nur unter Zuhilfenahme einer Begleitperson, die Sie über die jeweilige Rampe schiebt.

Sollten Sie zur Überwindung eines Hindernisses auf die Möglichkeit von Rampen zurückgreifen, bitten wir Sie folgende Hinweise zu beachten:

Grundsätzlich handelt sich bei der Komfortstuhl um ein Produkt, das im Innenbereich auf ebenen Strecken und Untergründen zum Einsatz kommt. Überwinden Sie keine Rampen mit rauer Oberfläche oder ungleichmäßigen Kanten und überwinden Sie Rampen nur, wenn der Komfortstuhl mit vier Fußrollen ausgestattet ist. Achten Sie auf die maximalen Steigungswinkel von 6% (3°).

2.9 Transport in einem Kraftfahrzeug

⚠ WARNUNG: Verletzungsgefahr: Achten Sie darauf, dass die Komfortstuhlordnungsgemäß in dem Fahrzeug befestigt ist.

Gehen Sie folgendermaßen vor, um die Komfortstuhl im Auto zu transportieren:

1. Entfernen Sie Zubehörteile.
2. Bewahren Sie die Zubehörteile sicher auf.
3. Transportieren Sie die Komfortstuhl nach Möglichkeit im Kofferraum oder Gepäckraum.
4. Wenn der Gepäckraum und der Fahrgastraum NICHT voneinander getrennt sind, befestigen Sie den Rahmen der Komfortstuhl sicher am Fahrzeug. Sie können hierzu die verfügbaren Sicherheitsgurte des Fahrzeugs verwenden.

3 Zusammenbau und Einstellung

Die Anweisungen in diesem Kapitel richten sich an den Fachhändler.

Um einen Fachhändler in Ihrer Nähe zu finden, stehen Ihnen unsere Niederlassungen gerne zur Verfügung. Eine Auflistung aller Vermeiren Niederlassungen finden Sie auf der letzten Seite dieser Gebrauchsanweisung.

- ⚠ **WARNUNG:** Nutzen Sie das Produkt nur gemäß den technischen Vor- und Angaben dieser Gebrauchsanweisung.
- ⚠ **WARNUNG:** Änderungen an den zulässigen Einstellungen können die Stabilität des Produkts beeinträchtigen (Rückwärts- oder Seitwärtskippen).

3.1 Werkzeuge

Für die Montage des Komfortstuhls und für Einstellungen werden keine Werkzeuge benötigt.

3.2 Lieferumfang

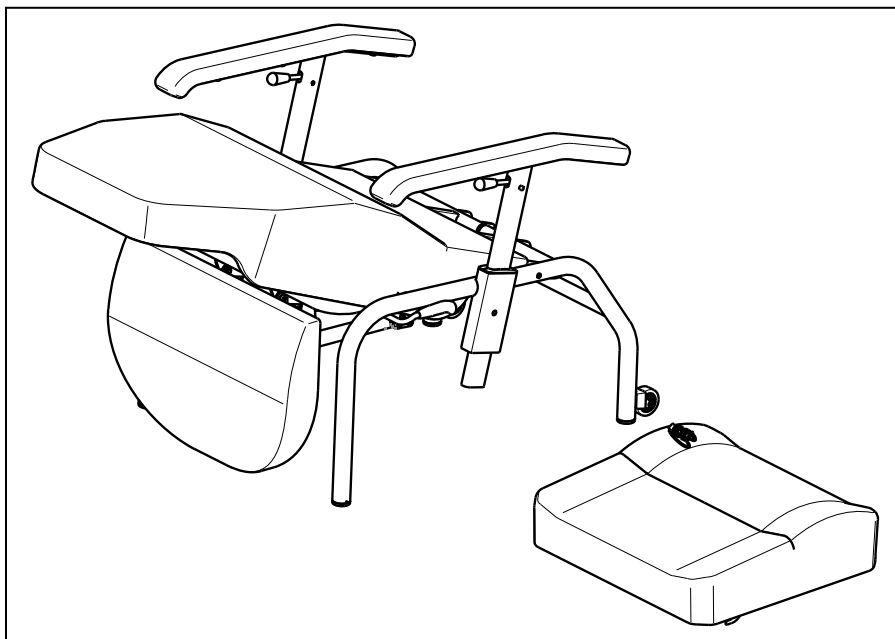
Der Lieferumfang des Vermeiren-Produkts umfasst:

- Rahmen mit Sitz und die Rückenkissen
- Armlehnen
- Beinstütze (nur für Normandie und Normandie XXL)
- Gasdruckfedern (nur für Languedoc, Normandie und Normandie XXL)
- Gebrauchsanweisung
- Zwei Spanplattenschrauben
- Zubehör

Prüfen Sie vor der Verwendung, ob alle aufgeführten Artikel in der Lieferung enthalten und nicht beschädigt sind (beispielsweise durch den Transport).

3.3 Zusammenbau des Komfortstuhls

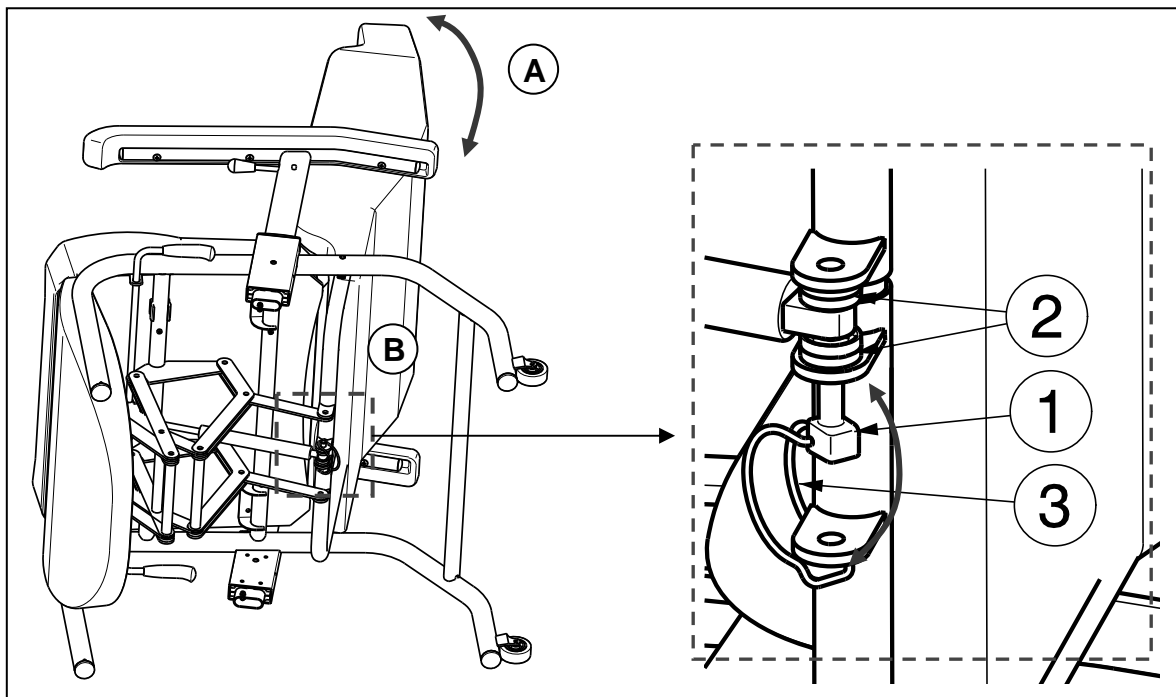
Der Komfortstuhl wird wie in der Abbildung unten ausgeliefert. Gehen Sie zum Zusammenbau des Komfortstuhls wie folgt vor.



3.3.1 Anbauen der Rückenlehne

Zum Anbauen der Rückenstütze sollten Sie das Modell seitlich auf eine flache Fläche legen.

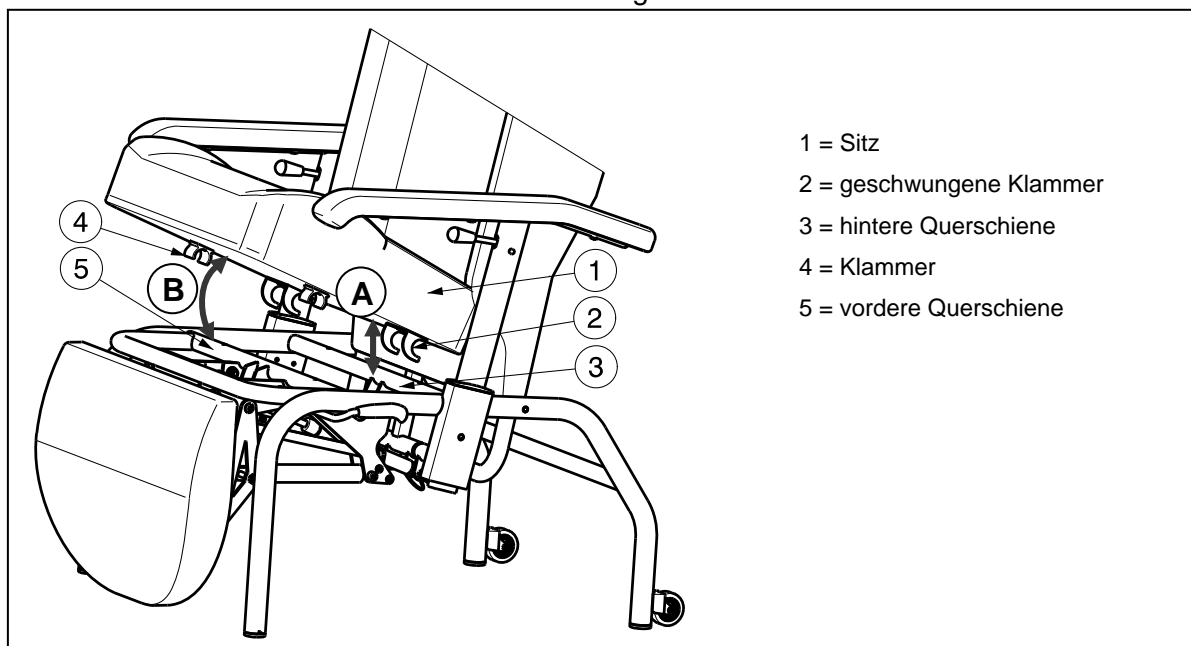
- A** Schieben Sie die Rückenstütze nach hinten, bis die Sockel im unteren Rückenstützenrahmen und die Aufhängungsöse der Gasfeder übereinander liegen.
- B** Führen Sie den Sicherungsstift ① durch die hinteren Sockel und die Gasfeder. Vor und hinter dem Gasfedersockel müssen zwei Kunststoffunterlegscheiben ② als Abstandshalter eingesetzt werden. Befestigen Sie anschließend den Sicherungsstift ①, indem Sie die Spannfeder ③ über den Stift ziehen, bis sie über dem Ende des Sperrstifts hervorragt.



3.3.2 Montieren des Sitzes

⚠ WARNUNG: Verletzungsgefahr – Achten Sie darauf, dass keine Gegenstände und/oder Körperteile zwischen den Sitz und den Rahmen gelangen.

Der Sitz wird mit Klemmen am Grundrahmen angebracht.



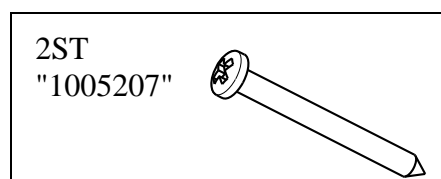
- A** Platzieren Sie den Sitz ① leicht diagonal zur geschwungenen Klammer ②, sodass die Klammer unter die hintere Querschiene des Grundrahmens ③ greift.
- B** Drücken Sie den Sitz ① vorne nach unten, sodass die Klammer ④ an der vorderen Querschiene des Grundrahmens ⑤ einrastet.

Schieben Sie die Rückenstütze etwas nach hinten, falls Sie nicht genügend Platz zum Montieren des Sitzkissens auf dem Rahmen haben.

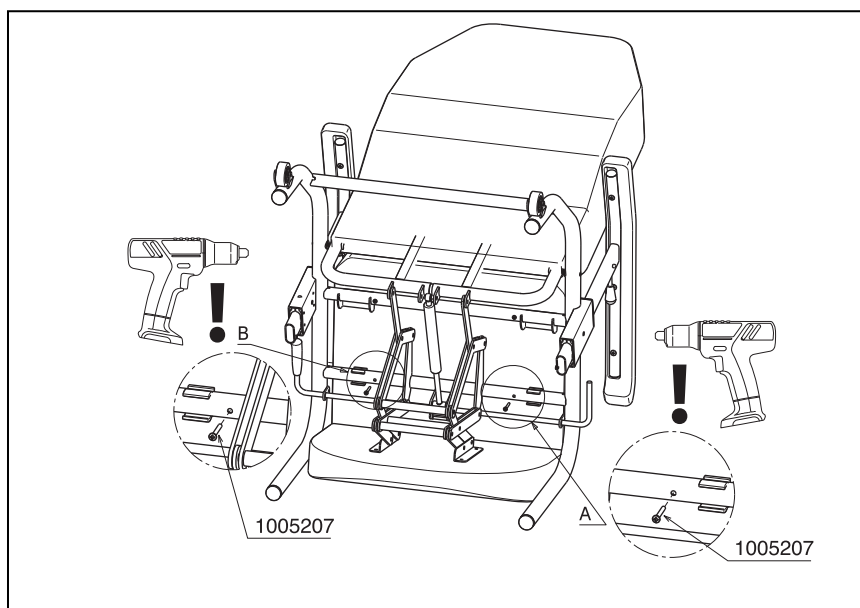
Wenn Sie den Sitz entfernen möchten, gehen Sie in umgekehrter Reihenfolge vor.

3.3.3 Fixierung Sitz

Im Lieferumfang enthalten: zwei Spanplattenschrauben



Montage von zwei Spanplattenschrauben für feste Sitzmontage. Beachten Sie, dass der Sitz nach dieser Montage nicht abnehmbar ist. Die Spanplattenschrauben können nur einmal verwendet werden unter Verwendung eines geeigneten Kreuzschlitzschraubendrehers.



4 Wartung

Hinweise zur Wartung der Komfortstuhls entnehmen Sie bitte der Website von Vermeiren: www.vermeiren.de, www.vermeiren.at, www.vermeiren.ch.



Indice

Premessa	2
1 Descrizione del prodotto	3
1.1 Utilizzo previsto	3
1.2 Specifiche tecniche.....	4
1.3 Componenti	5
1.4 Significato dei simboli	6
1.5 Accessori	6
1.6 Sicurezza	6
2 Utilizzo	7
2.1 Trasporto della sedia comfort.....	7
2.2 Consigli per l'utilizzo della sedia comfort.....	8
2.3 Inclinazione dello schienale su Provence.....	9
2.4 Inclinazione dello schienale su Languedoc.....	10
2.5 Inclinazione dello schienale su Normandie, Normandie XXL	11
2.6 Regolazione dei braccioli	12
2.7 Ruote / freni di stazionamento (solo per Normandie + ruote).	12
2.8 Fare gli scalini utilizzando le rampe	13
2.9 Trasporto in auto	13
3 Installazione e regolazione	14
3.1 Attrezzi	14
3.2 Modalità di consegna	14
3.3 Assemblaggio della sedia comfort	14
4 Manutenzione	16

IT



Premessa

Ringraziamo per la fiducia accordataci con l'acquisto di uno dei nostri prodotti.

La sedia Vermeiren sono il risultato di molti anni di ricerca ed esperienza. Durante lo sviluppo, è stata dedicata attenzione speciale alla facilità d'uso e alla praticità del prodotto.

La durata del prodotto dipende fortemente dalla cura e manutenzione che vi si dedicano.

Il presente manuale ha lo scopo di aiutare ad acquisire familiarità con il funzionamento del sollevatore.

Attenersi alle istruzioni operative e di manutenzione costituisce parte integrante della garanzia.

Il manuale riflette gli sviluppi più recenti dei prodotti. Vermeiren si riserva il diritto di apportare modifiche senza preavviso, senza essere tenuta a sostituire o adattare modelli forniti in precedenza.

Per qualsiasi chiarimento, rivolgersi al rivenditore specializzato.

1 Descrizione del prodotto

1.1 Utilizzo previsto

La sedia comfort Provence, Normandie, Languedoc è stata espressamente concepita per il comfort del paziente.

La sedia comfort è destinata all'uso di una sola persona.

Coloro che volessero utilizzare la sedia comfort devono avere un controllo sufficiente del tronco e non devono presentare problemi di equilibrio per quanto riguarda la stabilità laterale.

La sedia comfort da riposo è destinata all'utilizzo in ambienti interni.

Per il trasporto della sedia Provence, Normandie, Languedoc è necessaria l'assistenza di un accompagnatore, è inoltre opportuno predisporre un luogo apposito per riporre la sedia.

I diversi tipi di accessori e la concezione consentono l'utilizzo della sedia da parte di persone con impossibilità/difficoltà di deambulazione in seguito a:

- paralisi
- paralisi/debolezza (mantenendo il controllo del tronco)
- ferite delle articolazioni
- insufficienza cardiaca e cardiocircolatoria

Per la prescrizione della sedia devono essere tra l'altro considerati i seguenti aspetti:

- corporatura e peso del paziente (**carico massimo 130 kg; 350 kg per XXL modello**)
- condizioni psico-fisiche
- disposizione dell'ambiente

La sedia comfort da riposo deve essere utilizzata solo su superfici che consentono il contatto adeguato delle quattro ruote/gambe e dove sia possibile spingere in modo uniforme le ruote.

Non utilizzare la sedia comfort come scala, né per trasportare oggetti pesanti o caldi.

Se utilizzato su pavimenti con tappeti, moquette o rivestimenti, questi potrebbero venire danneggiati.

Scegliere il modello più adatto al peso e alla corporatura del paziente. I sistemi di seduta sono stati sagomati in base ai principi ergonomici per la comodità del paziente.

Utilizzare solo gli accessori approvati da Vermeiren.

La casa costruttrice non può essere ritenuta responsabile per danni causati da mancanza di manutenzione adeguata o risultanti dal mancato rispetto delle istruzioni contenute nel presente manuale.

La conformità con le istruzioni operative e di manutenzione è parte integrante della garanzia.

I pazienti con problemi di vista possono contattare il rivenditore per le istruzioni d'uso.

1.2 Specifiche tecniche

Le specifiche tecniche riportate di seguito sono applicabili al prodotto con configurazione standard e con rivestimento. In caso di utilizzo di accessori diversi dallo standard, i valori della tabella subiranno variazioni.


Produttore	Vermeiren				
Indirizzo	Vermeirenplein 1/15, B-2920 Kalmthout				
Tipo	Sedia comfort				
Modello	Provence	Languedoc	Normandie	Normandie XXL	
Peso massimo dell'occupante	130 kg	130 kg	130 kg	350 kg	
Descrizione	Min. - Max.	Min. - Max.	Min. - Max.	Min. - Max.	
Lunghezza complessiva	750 mm	750 mm	750 mm	760 mm	
Lunghezza se smontata	1080 mm	1080 mm	1080 mm	1080 mm	
Larghezza effettiva del sedile	540 mm	540 mm	540 mm	770 mm	
Larghezza complessiva	660 mm	660 mm	660 mm	890 mm	
Larghezza se smontata	660 mm	660 mm	660 mm	890 mm	
Altezza complessiva	1150 mm	1200 mm	1200 mm	1200 mm	
Altezza quando smontata	810 mm	810 mm	810 mm	810 mm	
Peso totale	Circa 21,85 kg	Circa 22,85 kg	Circa 24,85 kg	Circa 37,75 kg	
Massa della parte più pesante	19,10 kg	20,10 kg	22,10 kg	32,40 kg	
Peso delle parti smontabili o rimovibili	Sedile imbottito: 2,75 kg	Sedile imbottito: 2,75 kg	Sedile imbottito: 2,75 kg	Sedile imbottito: 5,35 kg	
Stabilità statica in discesa	6% (in configurazione standard)				
Stabilità statica in salita	6% (in configurazione standard)				
Superamento degli ostacoli	Non applicabile				
Basculamento del sedile	8°			7°	
Profondità del sedile regolabile	440 mm	440 mm	440 mm	480 mm	
Altezza da terra del sedile	510 mm	510 mm	510 mm	510 mm	
Spessore sedile imbottito	100 mm	100 mm	100 mm	100 mm	
Reclinazione dello schienale	10° - 32°	13° - 45°	13° - 45°	13° - 40°	
Altezza regolabile dello schienale	780 mm	780 mm	780 mm	780 mm	
Distanza tra poggiatesta e sedile	--	--	300 mm	360 mm	
Inclinazione tra sedile e poggiatesta	--	--	0° - 90°	0° - 80°	
Altezza braccioli	-1,5 mm (solo per spostamento laterale)				
	138 mm - 170 mm	138 mm - 170 mm	138 mm - 170 mm	138 mm - 220 mm	
Distanza massima tra parete e sedia comfort	380 mm	380 mm	380 mm	380 mm	
Molla a gas schienale / poggiatesta	--	--	150 N	850 N	
Temperatura per utilizzo e conservazione	+ 5 °C - + 40°C	+ 5 °C - + 40°C	+ 5 °C - + 40°C	+ 5 °C - + 40°C	
Umidità per utilizzo e conservazione	30% - 70%	30% - 70%	30% - 70%	30% - 70%	
La casa produttrice si riserva il diritto di apportare modifiche tecniche. Tolleranza misurazioni ± 15 mm / 1,5 kg / ° .					

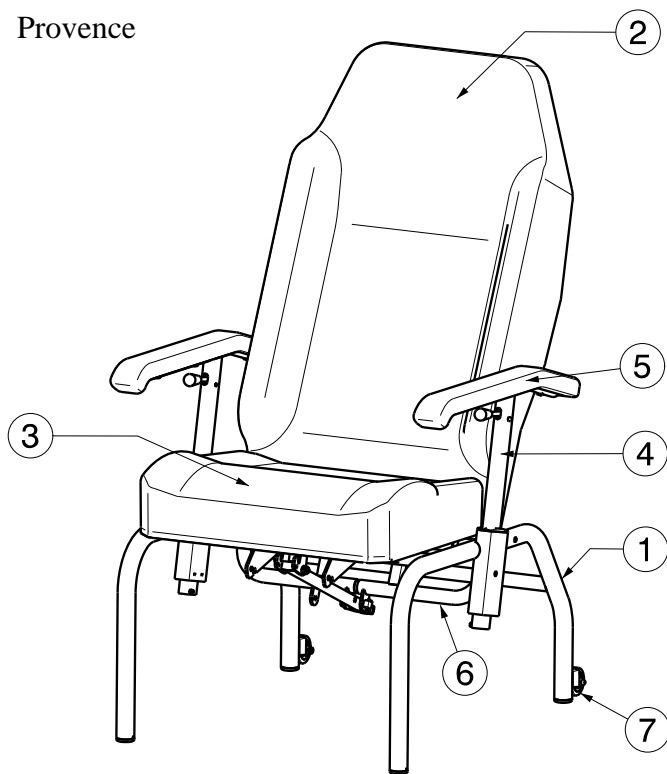
Tabella 1: Specifiche tecniche

La sedia comfort è conforme ai requisiti stabiliti in:

EN 1021-1, EN1021-2: Resistenza infiammabilità delle parti imbottite.

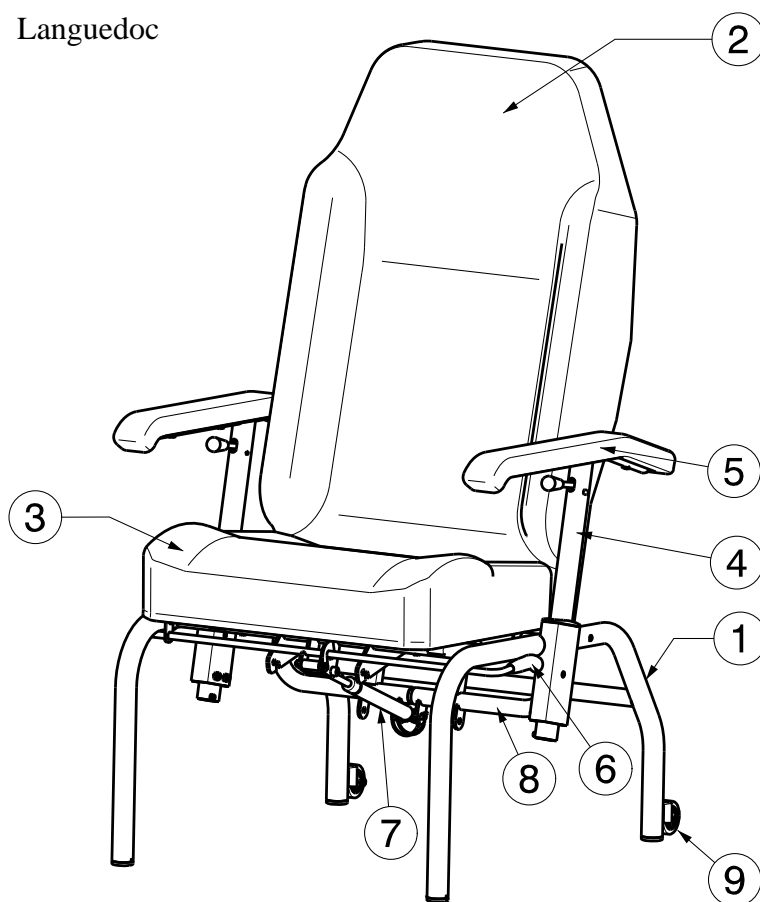
1.3 Componenti

Provence



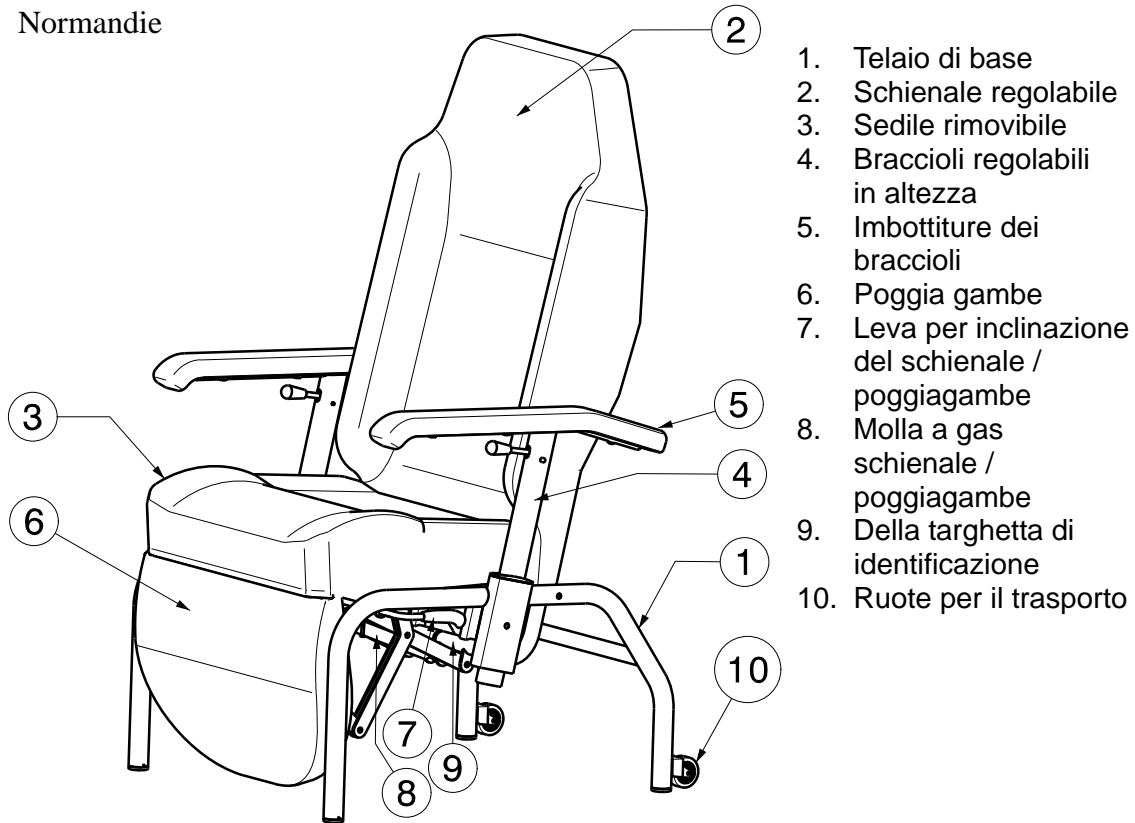
1. Telaio di base
2. Schienale regolabile
3. Sedile rimovibile
4. Braccioli regolabili in altezza
5. Imbottiture dei braccioli
6. Della targhetta di identificazione
7. Ruote per il trasporto

Languedoc



1. Telaio di base
2. Schienale regolabile
3. Sedile rimovibile
4. Braccioli regolabili in altezza
5. Imbottiture dei braccioli
6. Leva per inclinazione del schienale
7. Molla a gas schienale
8. Della targhetta di identificazione
9. Ruote per il trasporto

Normandie



1. Telaio di base
2. Schienale regolabile
3. Sedile rimovibile
4. Braccioli regolabili in altezza
5. Imbottiture dei braccioli
6. Poggia gambe
7. Leva per inclinazione del schienale / poggia gambe
8. Molla a gas schienale / poggia gambe
9. Della targhetta di identificazione
10. Ruote per il trasporto

1.4 Significato dei simboli



Portata massima



Solo per uso interno



Conformità CE



Modello

1.5 Accessori

Braccioli regolabili / allargati

Maniglione (in dotazione standard con ruote orientabili sterzanti)

Pouf inclinabile (solo su Provence e la Languedoc)

Poggiapiedi con ruote

Inclinazione dello schienale elettrica (su Normandie E)

1.6 Sicurezza

Di seguito sono riportati alcuni consigli per migliorare la sicurezza:

- ⚠ Attenersi alle istruzioni d'uso.
- ⚠ Per evitare il rischio di lesioni alle mani e danni alla sedia comfort, accertarsi che oggetti o parti del corpo non rimangano impigliati nei sistemi di regolazione dell'altezza, dell'angolazione del poggia gambe (solo su Normandie), schienale.
- ⚠ Controllare regolarmente che il blocco delle ruote funzioni correttamente (solo per Normandie + ruote).

- ⚠ Prima di sedersi o alzarsi dalla sedia, bloccare i freni di stazionamento. (solo per Normandie + ruote).
- ⚠ Se si desidera raccogliere un oggetto da terra (di fronte, a lato o sul retro della sedia) fare attenzione a non chinarsi eccessivamente con rischio di ribaltamento.
- ⚠ Quando ci si sposta passando attraverso porte o archi, assicurarsi che via sia sufficiente spazio laterale per evitare di danneggiare la sedia.
- ⚠ Quando si inclina la sedia comfort, assicurarsi che ci sia spazio sufficiente intorno e sopra. In caso contrario la poltrona potrebbe danneggiarsi.
- ⚠ Utilizzare la sedia in modo corretto. Evitare, ad esempio, di procedere senza frenare verso ostacoli (gradini, spigoli, soglie, ecc.) o dislivelli. La casa produttrice declina ogni e qualsiasi responsabilità per danni o lesioni derivanti da sovraccarico, collisioni o altri usi impropri.
- ⚠ Per il trasporto della sedia comfort, non afferrarla per le parti mobili (ad esempio il poggiatesta) o quando è inclinata.
- ⚠ Non lasciare la sedia comfort in posizione inclinata quando non viene utilizzata.
- ⚠ Non sedersi sui braccioli o sulle poggiatesta.
- ⚠ Non appoggiarsi alle pedane o allo schienale; la sedia comfort potrebbe ribaltarsi.
- ⚠ Non superare la **portata massima**.
- ⚠ Utilizzare la sedia su superfici piane, in modo che tutte e 4 le ruote/gambe siano a contatto del suolo.
- ⚠ Utilizzare solo accessori, ricambi e molle a gas approvati da Vermeiren.
- ⚠ Non aprire mai le molle di compressione a gas: la pressione interna è molto elevata e potrebbe causare lesioni.
- ⚠ Se una delle molle di compressione a gas è danneggiata, smettere immediatamente di usare la sedia comfort. Contattare il rivenditore specializzato affinché esegua le riparazioni necessarie senza indugio.

2 Utilizzo

Nel capitolo viene descritto l'utilizzo quotidiano. **Le presenti istruzioni sono destinate all'utente e al rivenditore specializzato.**

Il prodotto viene fornito completamente assemblato dal rivenditore. Le istruzioni destinate al rivenditore, relative alla configurazione della sedia comfort sono descritte nel § 3.

2.1 *Trasporto della sedia comfort*

Per trasportare la sedia comfort, spostare lo schienale in posizione eretta.

Il modo migliore per trasportare la sedia comfort è trascinandola sulle ruote (solo per Normandie con ruote) o tirandola indietro e trascinandola sulle 2 ruote per il trasporto nel luogo desiderato.

Se questo non è possibile, due persone dovranno afferrare le apposite appendici fisse del telaio, disposte anteriormente e posteriormente oppure lateralmente. Non afferrare mai la sedia comfort dalle pedane, dai braccioli o dal sedile.

Per salire o scendere dalle scale o per superare singoli gradini o interpiani e così via sono necessarie almeno due persone. Non è possibile trasportare la sedia con il paziente seduto.

Per evitare lesioni personali o danni al prodotto, durante il trasporto non devono esserci persone oppure oggetti sotto la sedia comfort.

2.2 Consigli per l'utilizzo della sedia comfort

2.2.1 Trasferimento dalla sedia o nella sedia

- ⚠ **AVVERTENZA:** Rischio di ribaltamento – Assicurarsi che la sedia non rischi di ribaltarsi all'indietro quando regolata con la massima inclinazione posteriore.
- ⚠ **ATTENZIONE:** Nel caso in cui non si riesca a eseguire il trasferimento in modo sicuro, chiedere assistenza.

Il trasferimento del paziente sulla sedia comfort deve avvenire secondo le istruzioni seguenti:

1. Controllare che siano inseriti i freni della sedia comfort (solo per Normandie + ruote).
2. Regolare la sedia comfort con l'inclinazione anteriore massima possibile (inclinazione minima) con le leve di regolazione.
3. Rilasciare i freni.
4. Posizionare la sedia comfort il più vicino possibile alla sedia, al divano o al letto da cui si desidera trasferire il paziente.
5. Verificare che i freni della sedia comfort siano attivati.
6. Trasferire il paziente nella sedia. Posizionare l'imbottitura dei braccioli alla stessa altezza dell'imbottitura del sedile per lo spostamento laterale (vedere il paragrafo 2.6).
7. Regolare la sedia comfort con l'inclinazione posteriore massima possibile (inclinazione massima).

Il trasferimento del paziente dalla sedia comfort deve avvenire secondo le istruzioni seguenti:

1. Verificare che i freni della sedia comfort siano attivati.
2. Regolare la sedia comfort con l'inclinazione anteriore massima possibile (inclinazione minima) con le leve di regolazione.
3. Rilasciare i freni.
4. Posizionare la sedia comfort il più vicino possibile alla sedia, al divano o al letto in cui si desidera trasferire il paziente.
5. Trasferire il paziente dalla sedia. Posizionare l'imbottitura dei braccioli alla stessa altezza dell'imbottitura del sedile per lo spostamento laterale (vedere il paragrafo 2.6).

2.2.2 Posizione corretta nella sedia comfort

Alcuni consigli per un utilizzo confortevole :

- Posizionarsi il più vicino possibile allo schienale.

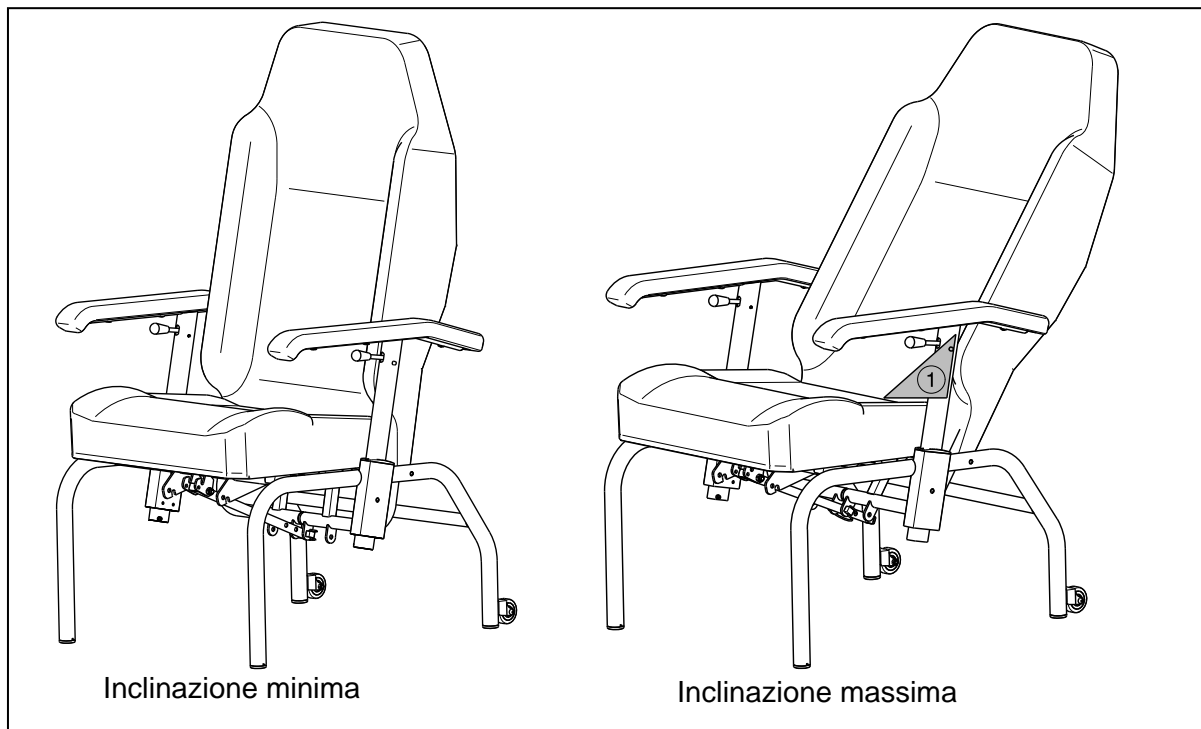
2.2.3 Trasporto della sedia

- ⚠ **AVVERTENZA:** Rischio di intrappolamento – Prestare attenzione durante il passaggio in spazi ristretti, ad esempio attraverso le porte.
- ⚠ **AVVERTENZA:** pericolo di ustioni – Prestare attenzione durante l'uso in ambienti molto caldi o molto freddi, per un determinato periodo di tempo le superfici potrebbero assumere la stessa temperatura dell'ambiente in cui si trova la sedia.
- ⚠ **AVVERTENZA:** rischio di lesioni – Assicurarsi che sotto la sedia non vi siano persone o oggetti durante il trasporto.

1. Controllare che siano inseriti i freni della sedia comfort (solo per Normandie + ruote).
2. Trasferire il paziente dalla sedia.
3. Rilasciare i freni.
4. Trasportare la sedia nel luogo desiderato su una superficie orizzontale.
5. Attivare i freni.
6. Trasferire il paziente nella sedia.

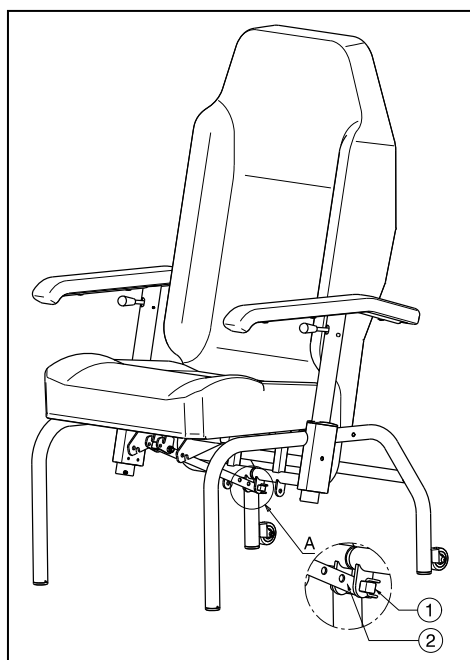
2.3 *Inclinazione dello schienale su Provence*

- ⚠ **AVVERTENZA:** Rischio di ribaltamento – Assicurarsi che la sedia non rischi di ribaltarsi all'indietro quando regolata con la massima inclinazione posteriore.
- ⚠ **AVVERTENZA:** rischio di lesioni – Accertarsi che nessun oggetto o persona si trovi nell'area di regolazione (vedere le zone di intrappolamento).
- ⚠ **AVVERTENZA:** rischio di lesioni – Non infilare le dita, indumenti, fibbie, cavi o altri oggetti tra punti a rischio di intrappolamento.



L'angolazione della reclinazione dello schienale può essere regolata tramite il tubo di regolazione.

Le zone di intrappolamento sono indicate nella figura sopra da ①.

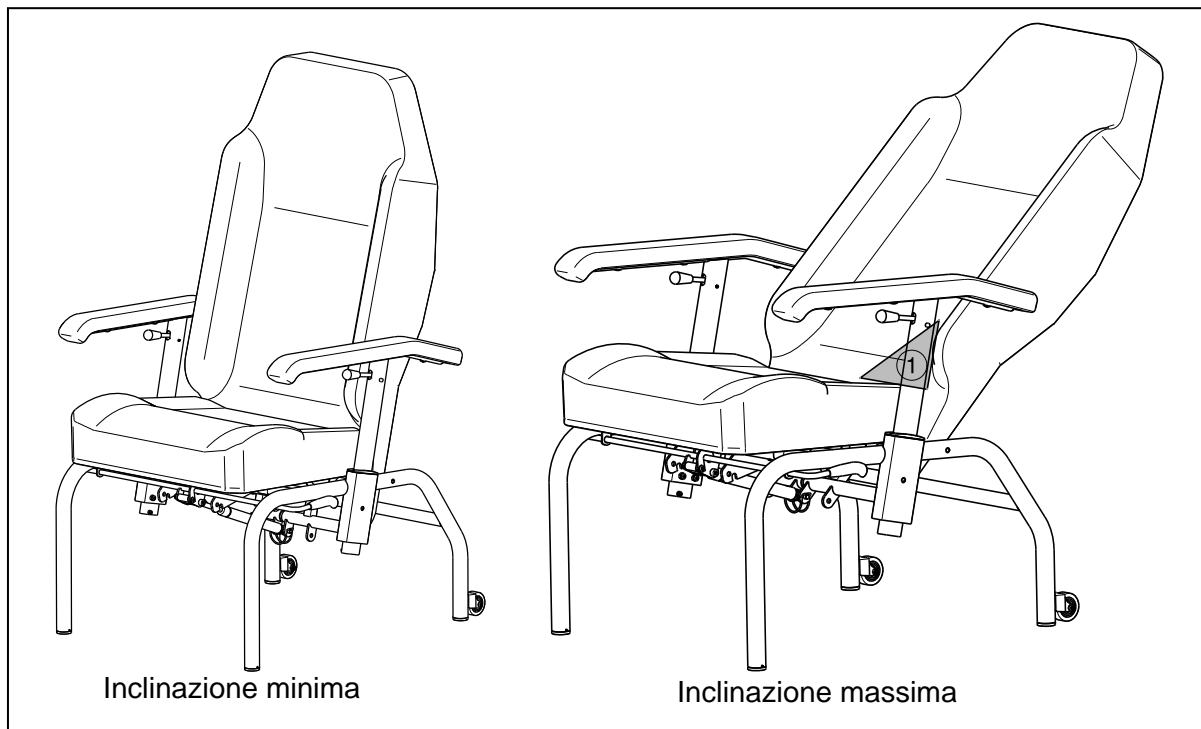


Inclinazione della sedia comfort:

1. L'inclinazione della sedia può essere regolata tramite tubo di regolazione ② e dal perno di sicurezza ① posizionato appena sotto il sedile. (Prima di inclinare la sedia comfort assicurarsi che ci sia abbastanza spazio intorno: 380 mm).
2. Rimuovere il perno di sicurezza ①.
3. Spostare lo schienale nel foro corrispondente al tubo di regolazione ② (3 posizioni diverse 10° - 32°: a intervalli di 11°).
4. Rimontare il perno di sicurezza ①.

2.4 *Inclinazione dello schienale su Languedoc*

- ⚠ **AVVERTENZA:** Rischio di ribaltamento – Assicurarsi che la sedia non rischi di ribaltarsi all'indietro quando regolata con la massima inclinazione posteriore.
- ⚠ **AVVERTENZA:** rischio di lesioni – Accertarsi che nessun oggetto o persona si trovi nell'area di regolazione (vedere le zone di intrappolamento).
- ⚠ **AVVERTENZA:** rischio di lesioni – Non infilare le dita, indumenti, fibbie, cavi o altri oggetti tra punti a rischio di intrappolamento.



Schienale possono essere regolati mediante la molla a gas pneumatica.

Le zone di intrappolamento sono indicate nella figura sopra da ①.

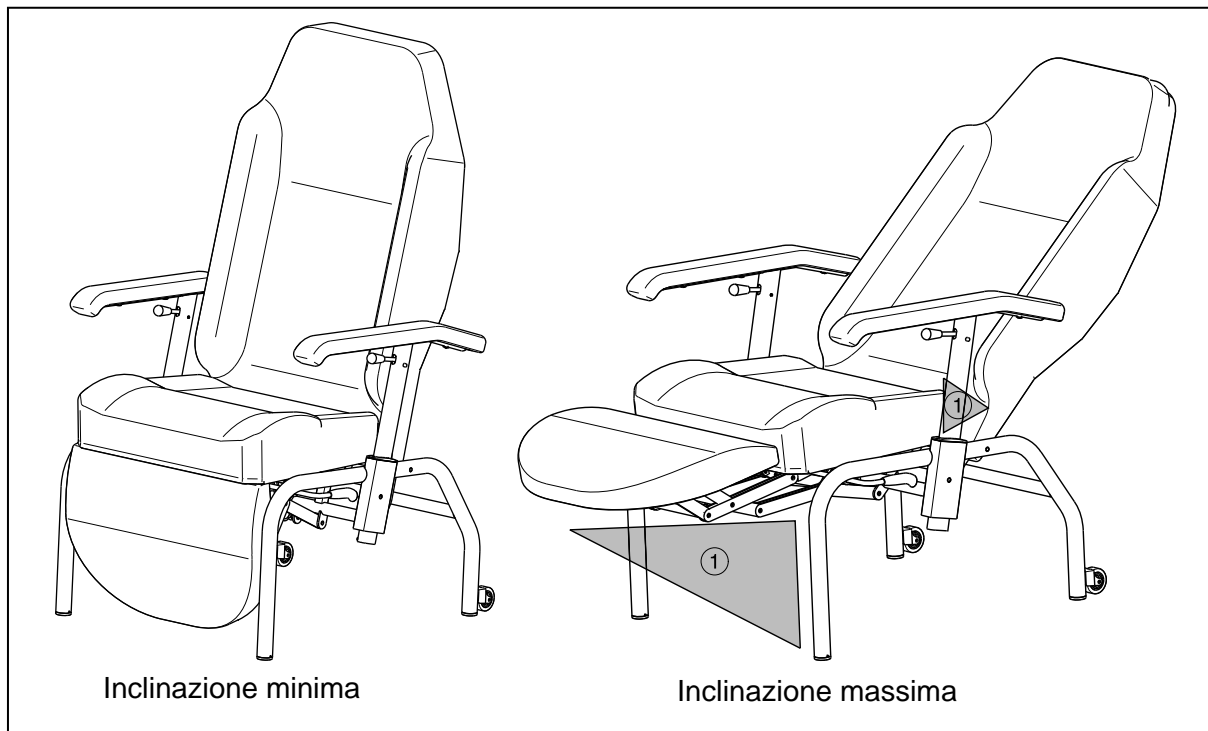
Inclinazione della sedia comfort:

1. L'inclinazione della sedia comfort può essere regolata con le leve di regolazione sul lato accanto ai profilati tubolari della seduta all'altezza dell'alloggiamento del bracciolo (Prima di inclinare la sedia comfort assicurarsi che ci sia abbastanza spazio intorno: 380 mm).

Tirare leggermente verso l'alto la leva; la molla pneumatica viene rilasciata e lo schienale può essere spostato alla posizione desiderata. Lasciando andare la leva, la molla pneumatica si blocca e lo schienale si ferma alla posizione desiderata (inclinazione schienale: 13° - 45°).

2.5 *Inclinazione dello schienale su Normandie, Normandie XXL*

- ⚠ **AVVERTENZA:** Rischio di ribaltamento – Assicurarsi che la sedia non rischi di ribaltarsi all'indietro quando regolata con la massima inclinazione posteriore.
- ⚠ **AVVERTENZA:** rischio di lesioni – Assicurarsi che i freni siano attivati prima di modificare l'inclinazione della sedia comfort (solo per Normandie + ruote).
- ⚠ **AVVERTENZA:** rischio di lesioni – Accertarsi che nessun oggetto o persona si trovi nell'area di regolazione (vedere le zone di intrappolamento).
- ⚠ **AVVERTENZA:** rischio di lesioni – Non infilare le dita, indumenti, fibbie, cavi o altri oggetti tra punti a rischio di intrappolamento.



Schienale e poggiatesta possono essere regolati mediante la molla a gas pneumatica.

Le zone di intrappolamento sono indicate nella figura sopra da ①.

Inclinazione della sedia comfort:

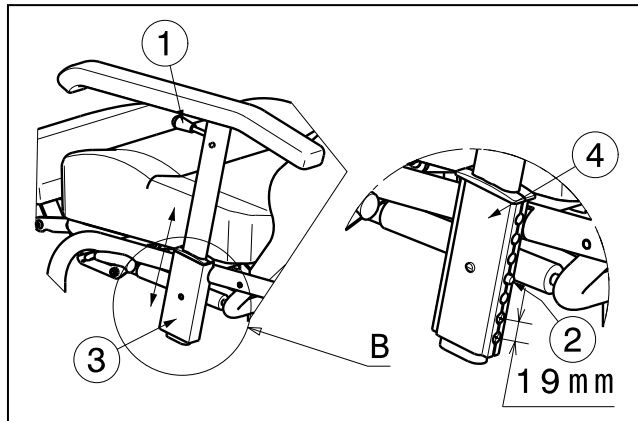
1. Inserire i freni (solo per Normandie + ruote).
2. L'inclinazione della sedia comfort può essere regolata con le leve di regolazione sul lato accanto ai profilati tubolari della seduta all'altezza dell'alloggiamento del bracciolo (Prima di inclinare la sedia comfort assicurarsi che ci sia abbastanza spazio intorno: 380 mm).

Tirare leggermente verso l'alto la leva; la molla pneumatica viene rilasciata e lo schienale/poggiatesta può essere spostato alla posizione desiderata. Lasciando andare la leva, la molla pneumatica si blocca e lo schienale/poggiatesta si ferma alla posizione desiderata (inclinazione schienale: 13° - 45°; inclinazione poggiatesta: 0° - 90°).

2.6 Regolazione dei braccioli

I braccioli possono essere regolati in altezza e abbassati a livello della scocca del sedile per spostare lateralmente il paziente.

Braccioli regolati in altezza:



Tirare la leva dei braccioli ① verso l'alto (in direzione dell'imbottitura dei braccioli).

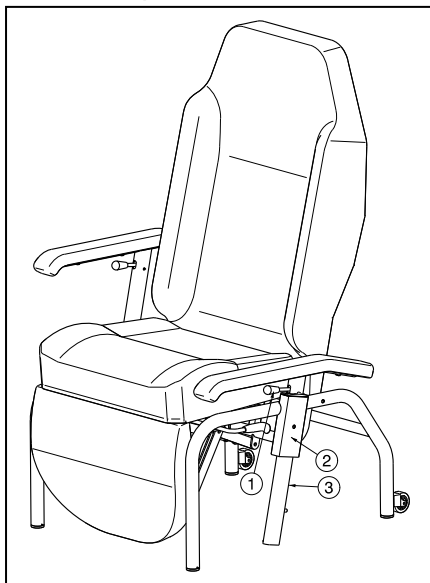
La molla di bloccaggio ② sarà rilasciata e il bracciolo potrà essere spostato all'interno del proprio alloggiamento ③ nella posizione desiderata (intervallo di 57 mm: 4 posizioni con incrementi fissi di 19 mm).

I 3 fori superiori della guida ④ non devono essere usati.



AVVERTENZA: AVVERTENZA: rischio di lesione - Se la molla di bloccaggio ② viene guidata fuori dall'alloggiamento del bracciolo ③, il bracciolo non è bloccato. Usare questa posizione solo per il trasferimento laterale del paziente.

Posizione per trasferimento laterale del paziente:

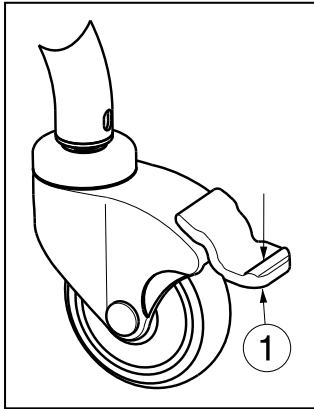


Per abbassare il bracciolo per il trasferimento laterale, tirare la leva ① e spingere il bracciolo verso il basso nella posizione più bassa possibile.

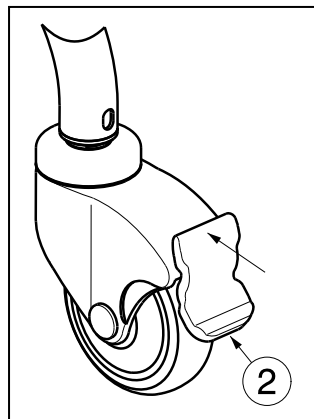
A questo punto, l'imbottitura dei braccioli è alla stessa altezza dell'imbottitura del sedile.

2.7 Ruote / freni di stazionamento (solo per Normandie + ruote).

- ⚠ **AVVERTENZA:** rischio di lesioni – Per parcheggiare la sedia, bloccare tutte e quattro le ruote.
- ⚠ **AVVERTENZA:** Sull'adeguato funzionamento dei freni incidono l'usura e la mancanza di pulizia delle ruote, ad esempio presenza di acqua, olio o fango. Verificare le condizioni delle ruote prima di ogni utilizzo.
- ⚠ **AVVERTENZA:** I freni sono regolabili e possono usurarsi. Verificare il funzionamento dei freni prima di ogni utilizzo.
- ⚠ **ATTENZIONE:** rischio di movimenti accidentali. Prima di rilasciare i freni, accertarsi che la sedia si trovi su una superficie orizzontale. Non rilasciare mai tutti i freni contemporaneamente.



- 1 Innesto dei freni di stazionamento**
Premere con il piede la piastra frenante grigio della ruota verso il basso fino a bloccarla. A questo punto le ruote non possono scorrere.



- 2 Disinnesto dei freni**
Premere con il piede la piastra frenante grigio ruote verso l'intelaiatura. A questo punto le ruote possono scorrere e girare.

2.8 Fare gli scalini utilizzando le rampe

⚠ AVVERTENZA: rischio di ribaltamento – Non salire o scendere mai dalle rampe senza l'aiuto di un accompagnatore.

Se per superare un ostacolo si utilizza una rampa, osservare le seguenti precauzioni:

La sedia è un prodotto da utilizzare all'interno e su superfici piane e diritte. Mai salire o scendere da rampe non uniformi e con spigoli a meno che la sedia comfort non sia dotata di quattro ruote orientabili. Non superare una pendenza massima del 6% (3°).

2.9 Trasporto in auto

⚠ AVVERTENZA: rischio di lesioni – Assicurarsi che nell'auto o nel pulmino la sedia sia bloccata in modo corretto.

Per trasportare la sedia comfort in auto, attenersi alle istruzioni seguenti:

1. Rimuovere gli accessori.
2. Conservare gli accessori in un posto sicuro.
3. Sistemare il seggiolone nel portabagagli.
4. Se lo scomparto della sedia e del passeggero NON sono separati, collegare il telaio della sedia in modo saldo al veicolo. È possibile utilizzare le cinture di sicurezza disponibili nel veicolo.

3 Installazione e regolazione

Le istruzioni contenute nel presente capitolo sono destinate al rivenditore.

Per individuare il centro assistenza o il rivenditore specializzato più vicino, contattare il centro Vermeiren. Nell'ultima pagina del manuale, è disponibile un elenco di centri Vermeiren autorizzati.

- ⚠ **AVVERTENZA:** Rischio di regolazioni non sicure - Utilizzare solo le regolazioni descritte in questo manuale.
- ⚠ **AVVERTENZA:** La modifica delle regolazioni consentite può determinare una variazione nella stabilità del prodotto (ribaltamento all'indietro o laterale).

3.1 Attrezzi

Per montare la sedia comfort non sono necessari attrezzi.

3.2 Modalità di consegna

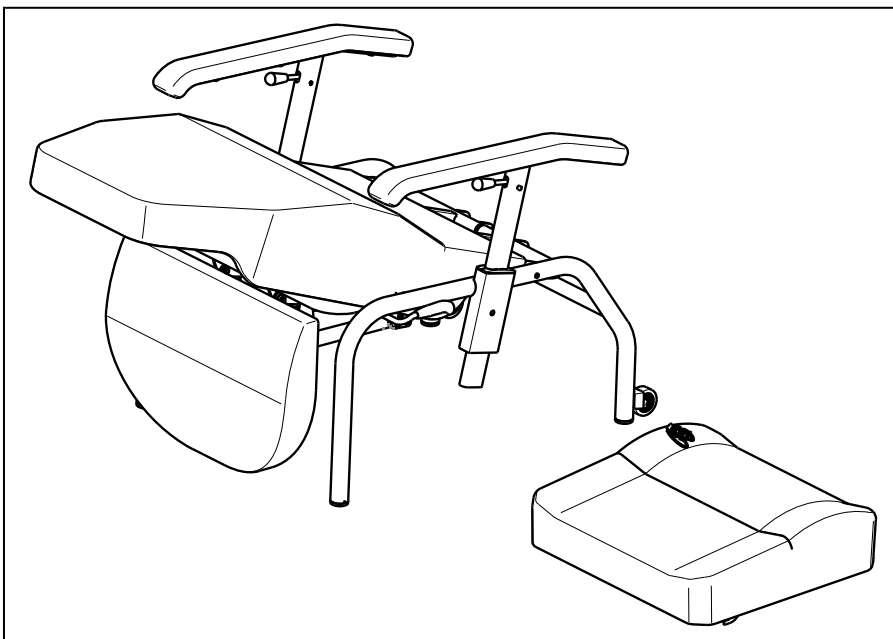
Il prodotto Vermeiren viene distribuito con:

- Telaio con le imbottiture dello schienale e del sedile.
- Braccioli
- Poggiagambe (solo su Normandie e la Normandie XXL)
- Molle a gas (solo su Languedoc, Normandie e la Normandie XXL)
- Manuale
- Due viti per il legno
- Accessori

Prima dell'uso, controllare che tutti i componenti siano inclusi e che non siano stati danneggiati, ad esempio durante il trasporto.

3.3 Assemblaggio della sedia comfort

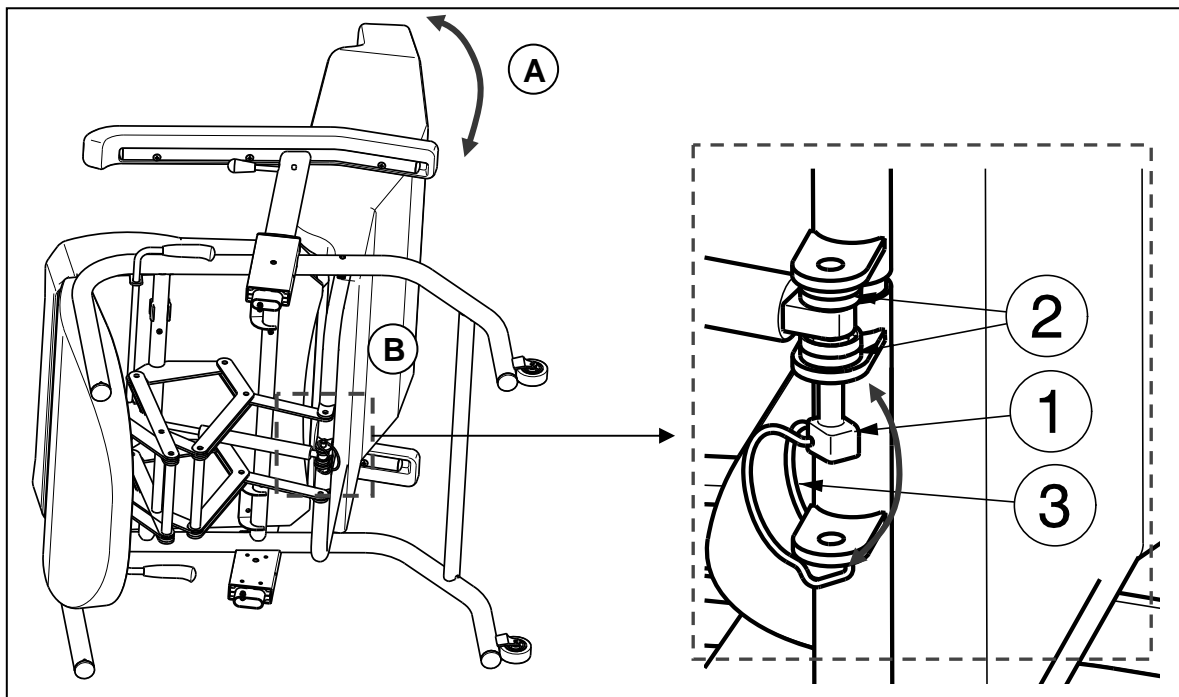
La sedia comfort viene consegnata come illustrato nella figura sotto. Leggere le istruzioni che seguono per l'assemblaggio della sedia comfort.



3.3.1 Montaggio dello schienale

Per assemblare lo schienale, appoggiare il modello sul lato sopra a una superficie piatta.

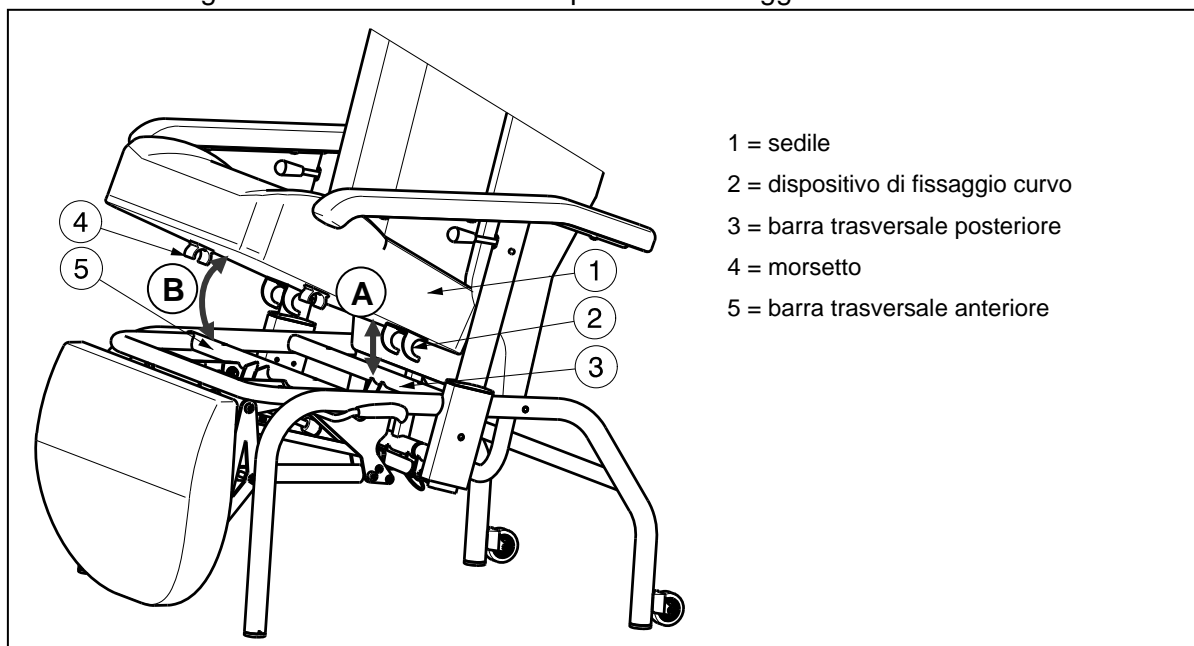
- A** Spostare lo schienale all'indietro finché gli alloggiamenti sul telaio posteriore inferiore e gli indicatori di sospensione della molla pneumatica poggiano l'uno sull'altro.
- B** Far scorrere il perno di bloccaggio ① attraverso gli alloggiamenti posteriori e la molla pneumatica. Prima e dopo l'alloggiamento della molla pneumatica devono essere inserite due rondelle di plastica ② come distanziale. Successivamente, fissare il perno di bloccaggio ① posizionando la molla di tensione ③ sul perno finché fuoriesce dall'estremità del perno di estensione.



3.3.2 Montaggio del sedile

⚠ AVVERTENZA: rischio di lesioni – Accertarsi che nessun oggetto o parte del corpo rimanga schiacciato tra il sedile e la scocca.

Il sedile è collegato al telaio di base con dispositivi di fissaggio.



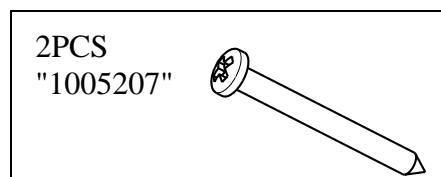
- A** Posizionare il sedile ① leggermente in diagonale con il dispositivo di fissaggio ② in modo che agganci la barra trasversale posteriore del telaio di base da sotto ③.
- B** Spingere il sedile ① verso il basso sulla parte anteriore in modo che il morsetto ④ si blocchi sulla barra trasversale anteriore del telaio di base ⑤.

Spostare lo schienale leggermente indietro se non c'è abbastanza spazio per montare sulla scocca l'imbottitura del sedile.

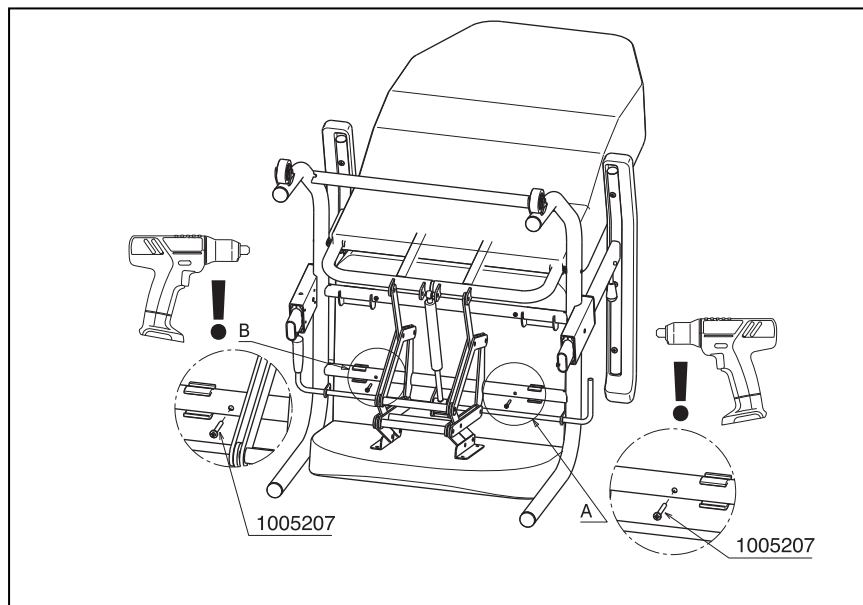
Per rimuovere il sedile, procedere all'inverso.

3.3.3 Fissare sedia

Incluse nella confezione: due viti per il legno.



Inserite le due viti per il legno per fissare il cuscino al telaio. Fate attenzione che il sedile non è più asportabile. Le due viti possono essere montate una sola volta utilizzando un trapano.



4 Manutenzione

Per il manuale di manutenzione della sedia comfort consultate il sito web Vermeiren: www.vermeiren.it.



Índice

Introducción.....	2
1 Descripción del producto	3
1.1 Uso previsto.....	3
1.2 Especificaciones técnicas	4
1.3 Componentes.....	5
1.4 Explicación de los símbolos	6
1.5 Accesorios	6
1.6 Por su seguridad	6
2 Uso.....	7
2.1 Transporte del sillón de descanso.....	7
2.2 Recomendaciones de uso del sillón de descanso	8
2.3 Ajustar el respaldo del Provence.....	9
2.4 Ajustar el respaldo del Languedoc	10
2.5 Ajustar el respaldo del Normandie, Normandie XXL.....	11
2.6 Ajuste de los reposabrazos	12
2.7 Giro libre de las ruedas / frenos de estacionamiento (solo para modelo Normandie + ruedas)	12
2.8 Cruce de bordillos con rampas	13
2.9 Transporte en coche.....	13
3 Instalación y ajuste	14
3.1 Herramientas	14
3.2 Forma de suministro.....	14
3.3 Montaje del sillón de descanso.....	14
4 Mantenimiento	16

ES



Introducción

ES

En primer lugar, nos gustaría agradecerle que haya confiado en nosotros y haya escogido uno de nuestros productos.

Los sillones Vermeiren son el resultado de muchos años de experiencia e investigación. Durante su desarrollo, hemos puesto especial atención en crear un sillón práctico y fácil de usar.

La vida útil de ocho años de su sillón dependerá en gran medida de los cuidados y el mantenimiento que le dedique.

Este manual le permitirá familiarizarse con el funcionamiento de su producto.

El seguimiento de las instrucciones para el usuario y de las instrucciones de mantenimiento es parte indispensable de la garantía.

Este manual incluye las mejoras de producto más recientes. Vermeiren se reserva el derecho de introducir cambios sin tener ninguna obligación de adaptar o sustituir los modelos entregados previamente.

Si tiene más preguntas, le rogamos que consulte a su distribuidor especializado.

1 Descripción del producto

1.1 *Uso previsto*

El sillón de descanso Provence, Normandie, Languedoc ha sido diseñada pensando exclusivamente en su comodidad.

Su diseño está pensado para una sola persona.

Las personas que vayan a usar el sillón de descanso deben tener un control suficiente de su torso y no pueden tener pérdidas de equilibrio que lleguen a afectar a su estabilidad lateral.

El sillón de descanso SOLO está adaptado para su uso en espacios interiores.

Necesitará la ayuda de otra persona para transportar el sillón de descanso Provence, Normandie, Languedoc y es posible que deba buscar un espacio de almacenamiento individual.

Los diferentes tipos de accesorios y su construcción permiten que sea usada plenamente por personas discapacitadas debido a:

- parálisis
- extremidades débiles/con malformaciones (que mantengan el control del torso)
- lesiones en las articulaciones
- insuficiencias cardíacas o circulatorias

Para utilizar este producto, es necesario tener en cuenta los siguientes elementos:

- envergadura y peso (**carga máx. de 130 kg; 350 kg para XXL modelo**)
- estado físico y psicológico
- entorno doméstico

Utilice el sillón de descanso únicamente en superficies que permitan que las cuatro ruedas estén pegadas al suelo y donde haya suficiente contacto para propulsar las ruedas por igual.

El sillón de descanso no debe usarse como escalera, ni tampoco como medio de transporte para objetos pesados o calientes.

Si lo utiliza encima de alfombras, suelos enmoquetados o suelos con recubrimientos que no estén fijados, podría dañar dichos recubrimientos.

Es necesario elegir el modelo que se adapte mejor al tamaño y la complexión del paciente. Los sistemas de asiento se han desarrollado de acuerdo con principios de desarrollo ergonómicos para su comodidad.

Utilice solo los accesorios aprobados de Vermeiren.


El fabricante no asumirá responsabilidad alguna por los daños causados por la falta de mantenimiento, por un mantenimiento inadecuado o si no se siguen las instrucciones indicadas en este manual.

El cumplimiento de las instrucciones del usuario y de mantenimiento es parte indispensable de la garantía.

Las personas con deficiencias visuales pueden ponerse en contacto con el distribuidor para obtener las instrucciones de uso.

1.2 Especificaciones técnicas

Las condiciones técnicas indicadas a continuación son válidas para los productos de configuración estándar y con el correspondiente tapizado. Si se utilizan otros accesorios, los valores serán diferentes.

Fabricante	Vermeiren				
Dirección	Vermeirenplein 1/15, B-2920 Kalmthout				
Tipo	Sillón de descanso				
Modelo	Provence	Languedoc	Normandie	Normandie XXL	
Peso máximo del ocupante	130 kg	130 kg	130 kg	350 kg	
Descripción	Mín. - máx.	Mín. - máx.	Mín. - máx.	Mín. - máx.	
Longitud total	750 mm	750 mm	750 mm	760 mm	
Longitud desmontada	1080 mm	1080 mm	1080 mm	1080 mm	
Anchura útil del asiento	540 mm	540 mm	540 mm	770 mm	
Anchura total	660 mm	660 mm	660 mm	890 mm	
Anchura desmontada	660 mm	660 mm	660 mm	890 mm	
Altura total	1150 mm	1200 mm	1200 mm	1200 mm	
Altura desmontada	810 mm	810 mm	810 mm	810 mm	
Peso total	Unos 21,85 kg	Unos 22,85 kg	Unos 24,85 kg	Unos 37,75 kg	
Peso de la parte más pesada	19,10 kg	20,10 kg	22,10 kg	32,40 kg	
Peso de las partes que pueden desmontarse o quitarse.	Cojín del asiento: 2,75 kg	Cojín del asiento: 2,75 kg	Cojín del asiento: 2,75 kg	Cojín del asiento: 5,35 kg	
Estabilidad estática en pendientes descendentes	6% (con la configuración estándar)				
Estabilidad estática en pendientes ascendentes	6% (con la configuración estándar)				
Superación de obstáculos	No aplicable				
Ángulo plano del asiento	8°			7°	
Profundidad útil del asiento	440 mm	440 mm	440 mm	480 mm	
Altura de la superficie del asiento en la parte delantera	510 mm	510 mm	510 mm	510 mm	
Grosor de los cojines del asiento	100 mm	100 mm	100 mm	100 mm	
Ángulo del respaldo	10° - 32°	13° - 45°	13° - 45°	13° - 40°	
Altura del respaldo	780 mm	780 mm	780 mm	780 mm	
Distancia entre el reposapiernas y el asiento	--	--	300 mm	360 mm	
Ángulo entre el asiento y el reposapiernas	--	--	0° - 90°	0° - 80°	
Altura de los reposabrazos	-1,5 mm (solo para traslado por el lateral)				
	138 mm - 170 mm	138 mm - 170 mm	138 mm - 170 mm	138 mm - 220 mm	
Espacio máximo entre la pared y el sillón de descanso	380 mm	380 mm	380 mm	380 mm	
Resortes neumáticos de respaldo / reposapiernas	--	--	150 N	850 N	
Temperatura de almacenamiento y de uso	+ 5 °C - + 40°C	+ 5 °C - + 40°C	+ 5 °C - + 40°C	+ 5 °C - + 40°C	
Humedad de almacenamiento y de uso	30% - 70%	30% - 70%	30% - 70%	30% - 70%	

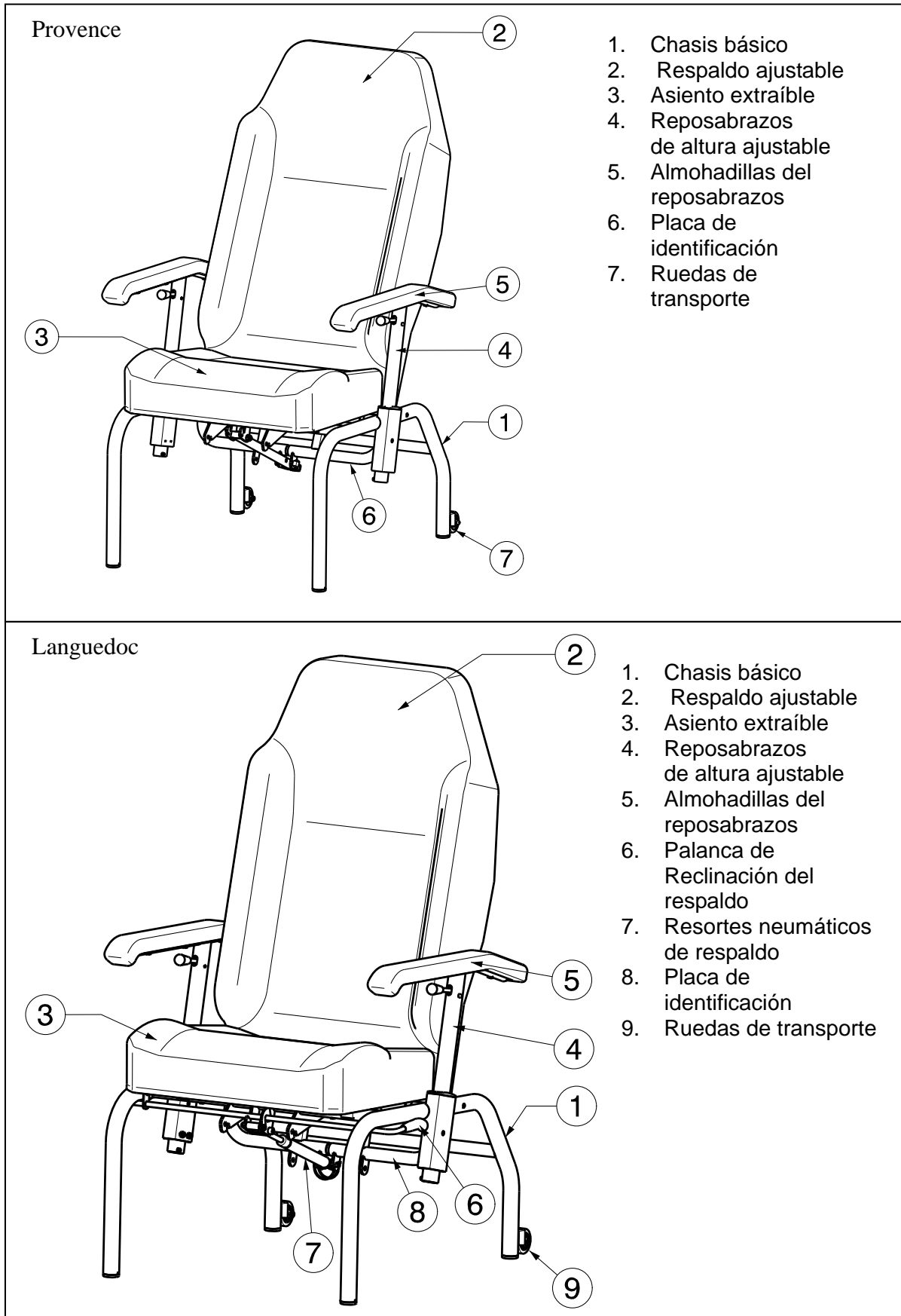
Derechos de modificación reservados. Tolerancia de la medida ± 15 mm/1,5 kg/ ° .

Tabla 1: Especificaciones técnicas

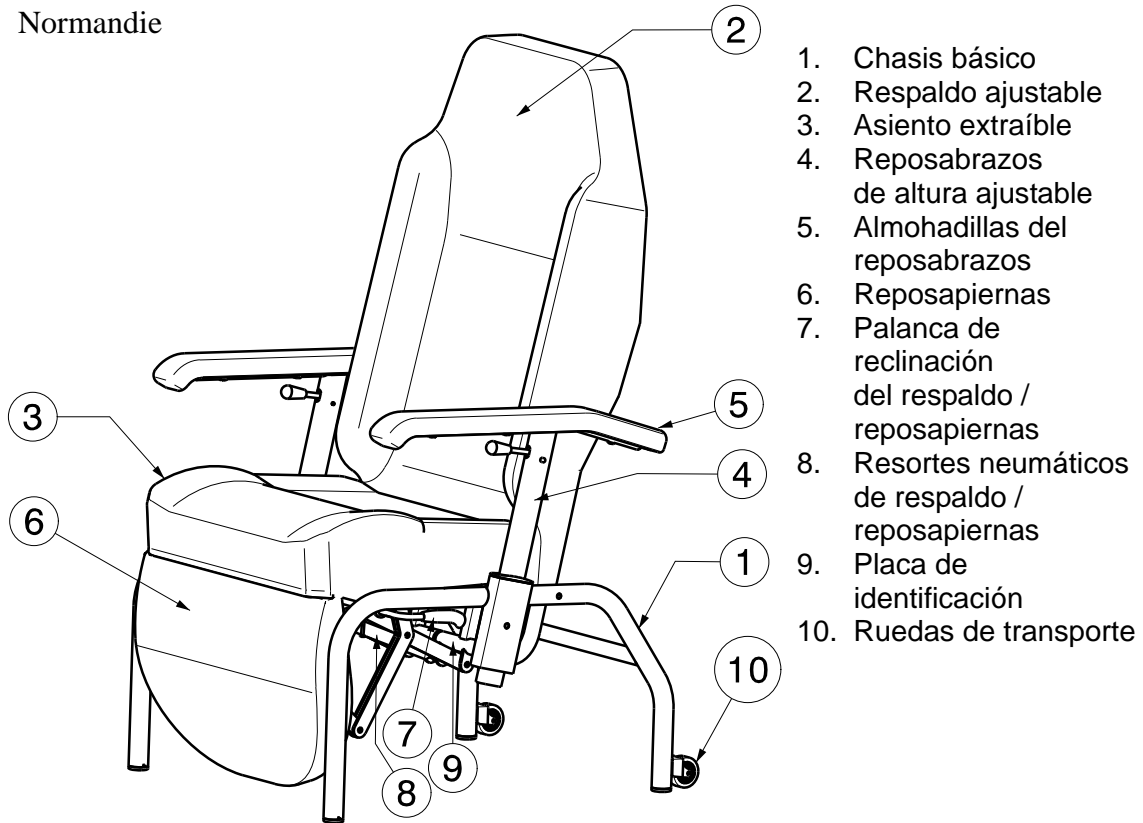
El sillón de descanso cumple las especificaciones siguientes:

EN 1021-1, EN1021-2: Resistencia a la ignición de los componentes tapizados.

1.3 Componentes



Normandie



1. Chasis básico
2. Respaldo ajustable
3. Asiento extraíble
4. Reposabrazos de altura ajustable
5. Almohadillas del reposabrazos
6. Reposapiernas
7. Palanca de inclinación del respaldo / reposapiernas
8. Resortes neumáticos de respaldo / reposapiernas
9. Placa de identificación
10. Ruedas de transporte

1.4 Explicación de los símbolos



Peso máximo



Uso sólo en el interior



Conformidad con la normativa CE



Designación de tipo

1.5 Accesorios

Reposabrazos ajustables/ampliados

Barra de empuje (de serie si el sillón está equipado con ruedecillas de guía)

Reposapiés (puf) reclinable (del modelo Provence e Languedoc)

Reposapiés retráctil

Reclinación eléctrica de respaldo (del modelo Normandie E)

1.6 Por su seguridad

Tenga en cuenta los siguientes consejos de seguridad:

- ⚠ Siga las instrucciones de uso del sillón de descanso.
- ⚠ Para evitar lesiones en las manos y dañar el sillón de descanso, asegúrese de que no haya ningún objeto ni ninguna parte del cuerpo atrapados entre los sistemas de ajuste (Inclinación del reposapiernas (solo para Normandie), respaldo, etc.).
- ⚠ Compruebe con regularidad el funcionamiento correcto del sistema de inmovilización de las ruedas (solo para el modelo Normandie + ruedas).

- ⚠ Asegúrese de accionar los frenos de estacionamiento antes de levantarse o sentarse en el sillón de descanso (solo para el modelo Normandie + ruedas).
- ⚠ Si desea alcanzar algo (ya sea inclinándose hacia delante, hacia detrás o hacia un lateral el sillón de descanso), procure no inclinarse demasiado o corre el riesgo de caerse.
- ⚠ Cuando se desplace a través de puertas, arcos o zonas similares, asegúrese de que haya suficiente espacio a ambos lados para no dañar el sillón de descanso.
- ⚠ Al inclinar el sillón de descanso, compruebe que hay suficiente espacio alrededor y por encima. De lo contrario, los movimientos de ajuste podrían provocar daños o lesiones.
- ⚠ Utilice el sillón de descanso de acuerdo con las instrucciones. Por ejemplo, evite rodar de forma incontrolada y golpear contra algún obstáculo (escalones, bordillos, marcos de las puertas, etc.) o dejarse caer desde bordillos. El fabricante no se hace responsable de los daños por sobrecarga, colisión u otro uso indebido.
- ⚠ Cuando transporte el sillón de descanso, no la sujete nunca por las partes móviles (como los reposapiernas) ni lo haga con el sillón inclinado.
- ⚠ Deje el sillón de descanso en posición no inclinada cuando no esté en uso.
- ⚠ No se siente en el reposapiernas ni en los reposabrazos.
- ⚠ No se incline sobre el reposapiernas o los reposabrazos, ya que existe riesgo de caída.
- ⚠ No supere nunca la **carga máxima**.
- ⚠ Utilice el sillón de descanso en superficies llanas, con las 4 ruedas / patas en contacto con el suelo.
- ⚠ Utilice sólo accesorios, recambios o resortes neumáticos Vermeiren aprobados.
- ⚠ No abra nunca los resortes neumáticos: la presión que hay en su interior es muy alta y puede ocasionar lesiones.
- ⚠ Si uno de los resortes neumáticos se daña, deje de usar el sillón de descanso inmediatamente. Contacte con su distribuidor especializado y realice las reparaciones necesarias lo antes posible.

2 Uso

Este capítulo describe el uso diario. **Estas instrucciones están destinadas al usuario y a los distribuidores especializados.**

Su distribuidor especializado se encargará de entregarle el producto completamente montado. Las instrucciones dirigidas al distribuidor especializado con respecto al montaje el sillón de descanso se encuentran en el capítulo 3.

2.1 *Transporte del sillón de descanso*

Para transportar el sillón de descanso, coloque el respaldo en posición vertical.

La mejor forma de transportar el sillón de descanso es deslizándola sobre las ruedas (solo en el modelo Normandie con ruedas) o mover el sillón de descanso hacia atrás y deslizándola sobre las 2 ruedas de transporte hasta el lugar deseado.

Si no es posible hacerlo, dos personas deberán agarrarla firmemente por las partes fijas del chasis, ya sea por la parte delantera, la parte trasera o por alguno de los laterales. No agarre el sillón de descanso por el reposapiernas, los reposabrazos o el asiento.

Se necesitan al menos dos personas para subir o bajar el sillón por escaleras, escalones, descansillos, etc. No se puede transportar el sillón con un paciente sentado en ella.

Para evitar lesiones personales o dañar el producto, no debería haber personas ni objetos bajo el sillón de descanso durante el transporte.

2.2 Recomendaciones de uso del sillón de descanso

2.2.1 Traslado a y desde el sillón

- ⚠ **ADVERTENCIA: Riesgo de vuelco: asegúrese de que el sillón no se incline hacia atrás cuando lo recline al máximo.**
- ⚠ **PRECAUCIÓN: En caso de que no pueda realizar el traslado de forma segura, pida a alguien que le ayude.**

Para trasladar el paciente el sillón de descanso, siga estas instrucciones:

1. Compruebe que los frenos del sillón de descanso estén accionados (solo para el modelo Normandie + ruedas).
2. Inclíne el sillón de descanso hacia delante, hasta su máxima posición (reclinación mínima) con las palancas de ajuste.
3. Suelte los frenos.
4. Coloque el sillón de descanso lo más cerca posible de el sillón, el sillón o la cama desde el que desea mover al paciente.
5. Compruebe que los frenos del sillón de descanso estén accionados.
6. Pase al paciente a el sillón. Coloque la almohadilla del reposabrazos a la misma altura que el cojín del asiento si el traslado es lateral (consulte la sección 2.6).
7. Inclíne el sillón hacia atrás, hasta su posición máxima (reclinación máxima).

El traslado del paciente desde el sillón debe realizarse siguiendo estas instrucciones:

1. Compruebe que los frenos el sillón estén accionados.
2. Inclíne el sillón de descanso hacia delante, hasta su máxima posición (reclinación mínima) con las palancas de ajuste.
3. Suelte los frenos.
4. Coloque el sillón de descanso lo más cerca posible de el sillón, el sillón o la cama a la que desea trasladarse.
5. Realice el traslado desde el sillón. Coloque la almohadilla del reposabrazos a la misma altura que el cojín del asiento si el traslado es lateral (consulte la sección 2.6).

2.2.2 Posición correcta en el sillón

Algunas recomendaciones para un uso confortable del sillón:

- Coloque la espalda lo más cerca posible del respaldo.

2.2.3 Movimiento y transporte del sillón

- ⚠ **ADVERTENCIA: Riesgo de que los dedos queden atrapados: tenga cuidado al pasar por lugares estrechos (p. ej. puertas).**
 - ⚠ **ADVERTENCIA: Riesgo de quemaduras: tenga cuidado cuando utilice el sillón en entornos fríos o calientes durante un largo periodo de tiempo. Su superficie podría adoptar la temperatura ambiente.**
 - ⚠ **ADVERTENCIA: Riesgo de lesiones: durante el transporte, asegúrese de que no haya objetos o personas debajo el sillón.**
1. Compruebe que los frenos del sillón de descanso estén accionados (solo para el modelo Normandie + ruedas).
 2. Realice el traslado desde el sillón.
 3. Suelte los frenos.
 4. Traslade el sillón al lugar deseado, en una superficie horizontal.
 5. Accione los frenos.
 6. Realice el traslado al sillón.

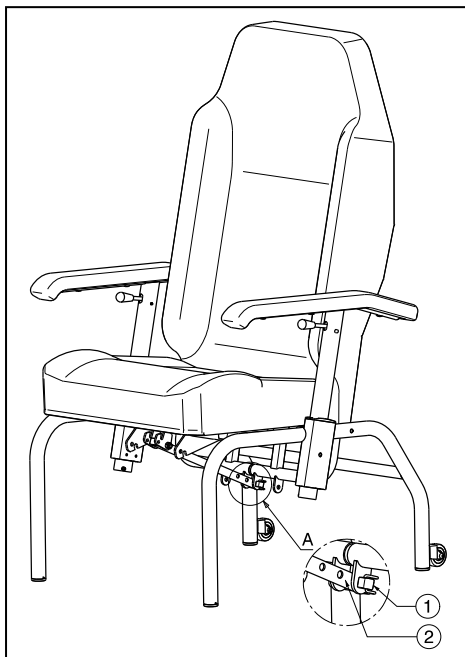
2.3 Ajustar el respaldo del Provence

- ⚠ **ADVERTENCIA:** Riesgo de vuelco: asegúrese de que el sillón no se incline hacia atrás cuando lo recline al máximo.
- ⚠ **ADVERTENCIA:** Riesgo de lesiones: asegúrese de que no haya objetos ni personas en la zona de ajuste (consulte Zonas peligrosas).
- ⚠ **ADVERTENCIA:** Riesgo de lesiones: no coloque dedos, ropa, hebillas, cables ni otros objetos en la zona peligrosa.



El ángulo del respaldo puede ajustarse con el tubo de ajuste.

Las zonas peligrosas están indicadas en la figura de arriba con ①.

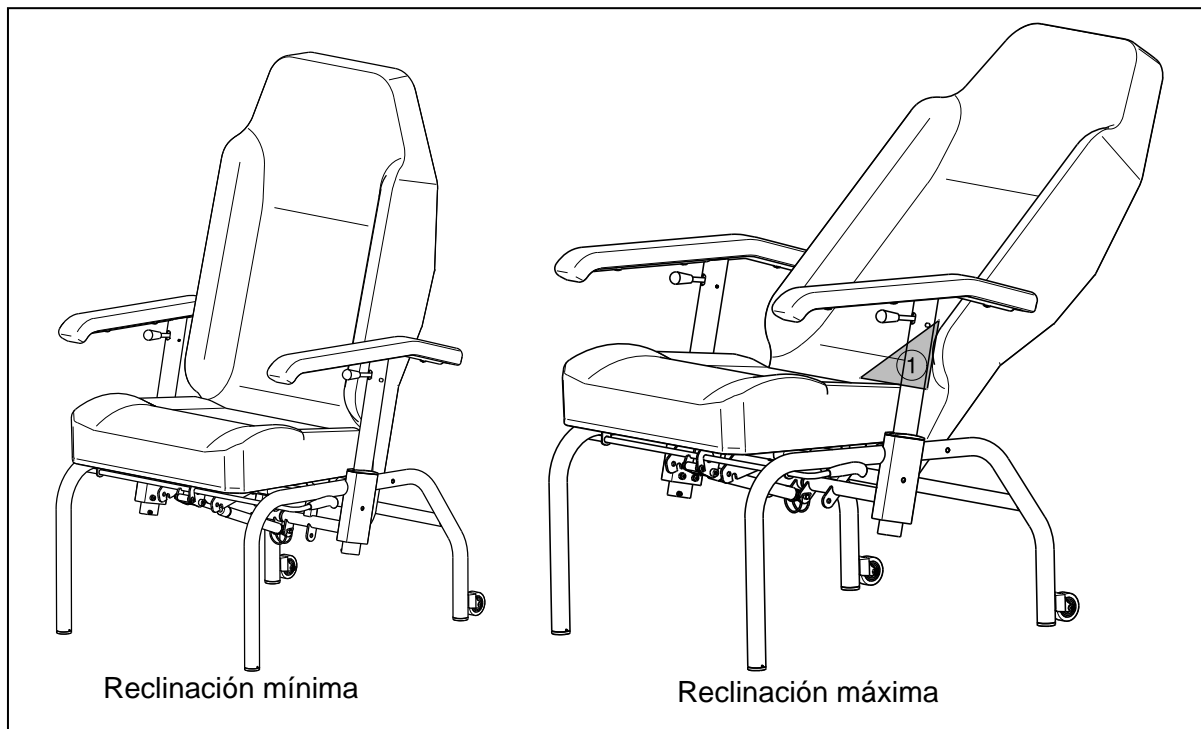


Reclinación del sillón de descanso:

1. La reclinación del sillón de descanso puede ajustarse con el tubo de ajuste ② y el perno ① justo debajo del asiento del sillón. (Al inclinar el sillón de descanso, compruebe que hay suficiente espacio entre el sillón y la pared: 380 mm).
2. Saque el perno de seguridad ①.
3. Mueva el respaldo al agujero correcto del tubo de ajuste ② (3 en tres posiciones distintas 10° - 32°: intervalos de 11°).
4. Vuelva a montar el perno de seguridad ①.

2.4 Ajustar el respaldo del Languedoc

- ⚠ **ADVERTENCIA:** Riesgo de vuelco: asegúrese de que el sillón no se incline hacia atrás cuando lo recline al máximo.
- ⚠ **ADVERTENCIA:** Riesgo de lesiones: asegúrese de que no haya objetos ni personas en la zona de ajuste (consulte Zonas peligrosas).
- ⚠ **ADVERTENCIA:** Riesgo de lesiones: no coloque dedos, ropa, hebillas, cables ni otros objetos en la zona peligrosa.



El ángulo del respaldo se puede ajustar mediante un resorte neumático.

Las zonas peligrosas están indicadas en la figura de arriba con ①.

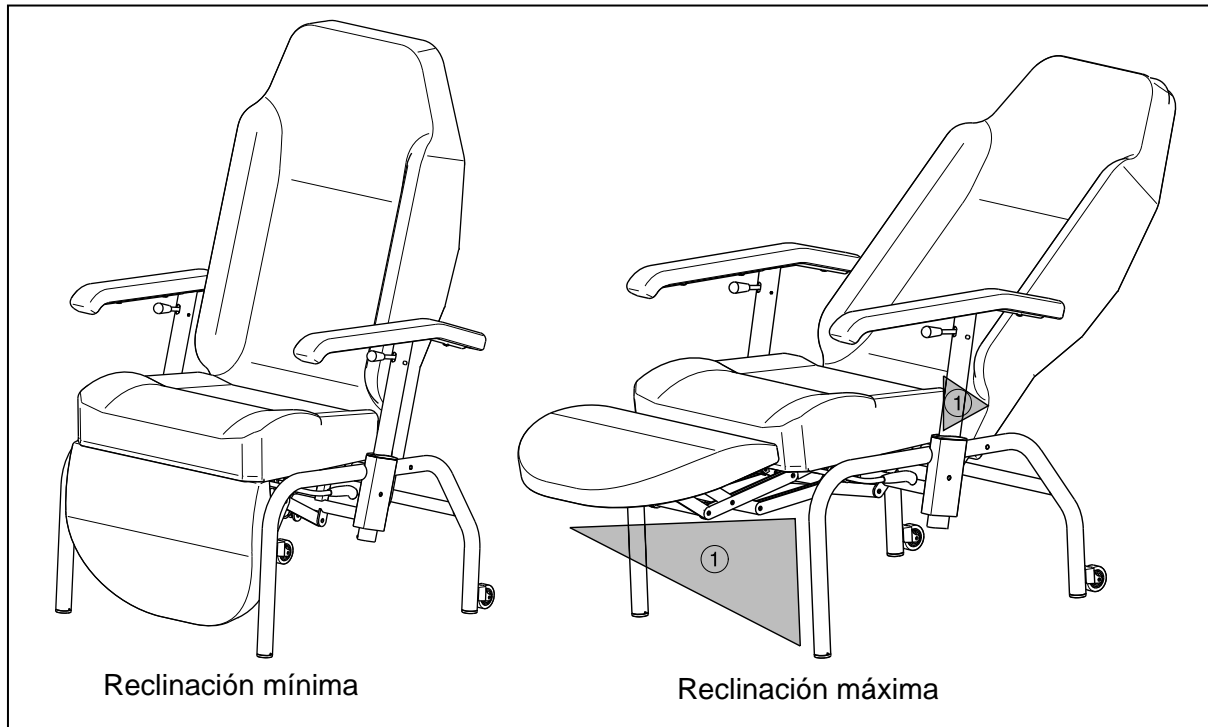
Reclinación del sillón de descanso:

1. La reclinación del sillón de descanso se puede ajustar con la palanca de ajuste que hay en el lateral, junto a los tubos del asiento, a la altura del hueco para el reposabrazos. (Al inclinar el sillón de descanso, compruebe que hay suficiente espacio entre el sillón y la pared: 380 mm).

Levante ligeramente la palanca para que el resorte neumático se suelte y el respaldo se pueda mover hasta la posición deseada. Si suelta otra vez la palanca, el resorte neumático se bloquea y el respaldo se detiene en la posición deseada (reclinación del respaldo: 13° - 45°).

2.5 Ajustar el respaldo del Normandie, Normandie XXL

- ⚠ **ADVERTENCIA:** Riesgo de vuelco: asegúrese de que el sillón no se incline hacia atrás cuando lo recline al máximo.
- ⚠ **ADVERTENCIA:** Riesgo de lesiones: asegúrese de que los frenos estén accionados antes de cambiar la inclinación el sillón de descanso (solo para el modelo Normandie + ruedas).
- ⚠ **ADVERTENCIA:** Riesgo de lesiones: asegúrese de que no haya objetos ni personas en la zona de ajuste (consulte Zonas peligrosas).
- ⚠ **ADVERTENCIA:** Riesgo de lesiones: no coloque dedos, ropa, hebillas, cables ni otros objetos en la zona peligrosa.



El ángulo del respaldo y del reposapiernas se puede ajustar mediante un resorte neumático.

Las zonas peligrosas están indicadas en la figura de arriba con ①.

Reclinación del sillón de descanso:

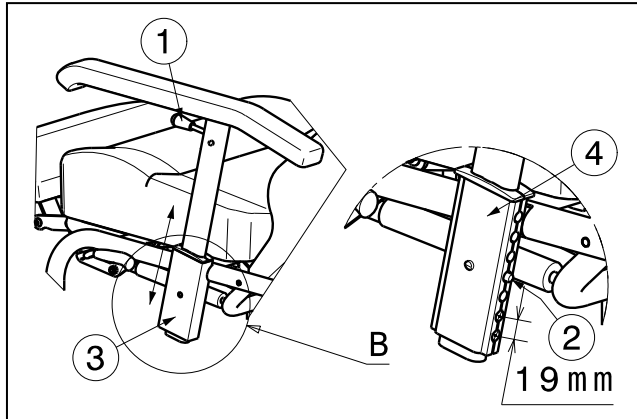
1. Accione los frenos (solo para modelo Normandie + ruedas).
2. La Reclinación del sillón de descanso se puede ajustar con la palanca de ajuste que hay en el lateral, junto a los tubos del asiento, a la altura del hueco para el reposabrazos. (Al inclinar el sillón de descanso, compruebe que hay suficiente espacio entre el sillón y la pared: 380 mm).

Levante ligeramente la palanca para que el resorte neumático se suelte y el respaldo/reposapiernas se pueda mover hasta la posición deseada. Si suelta otra vez la palanca, el resorte neumático se bloquea y el respaldo/reposapiernas se detiene en la posición deseada (reclinación del respaldo: 13° - 45°; reclinación del reposapiernas: 0° - 90°).

2.6 Ajuste de los reposabrazos

Es posible ajustar la altura de los reposabrazos y dejarlos a la altura del chasis del asiento para trasladar al paciente por los laterales.

Reposabrazos con ajuste de altura:



Tire de la palanca de los reposabrazos ① hacia arriba (en la dirección de la almohadilla del reposabrazos).

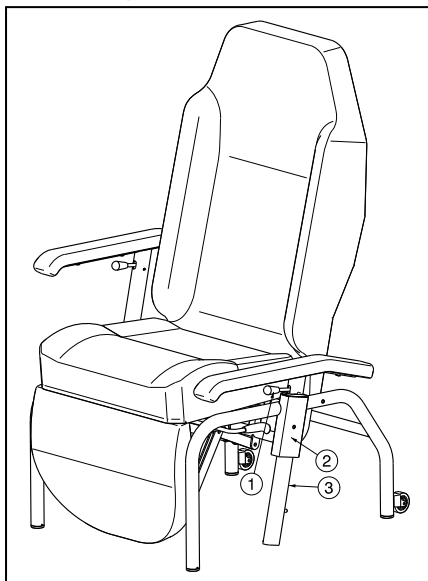
El resorte de bloqueo ② se liberará y el reposabrazos se podrá mover dentro del hueco para el reposabrazos ③ hasta la posición deseada (margen 57 mm: 4 posiciones: intervalos de 19 mm).

Los 3 orificios de la parte superior de la parte de guía ④ no se deben utilizar.



ADVERTENCIA: Riesgo de lesiones - Si el muelle de bloqueo ② se pasa fuera del hueco para el reposabrazos ③, este no se bloquea. Use esta posición únicamente para trasladar al paciente por el lateral.

Posición para el traslado lateral del paciente:

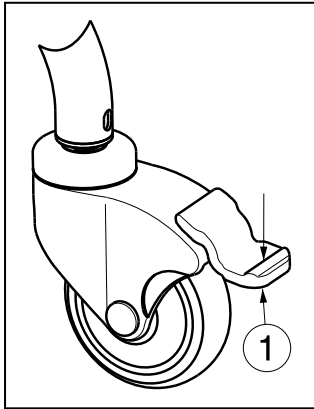


Para bajar el reposabrazos y hacer un traslado por el lateral, tire de la palanca ① y coloque el reposabrazos en la posición más baja posible.

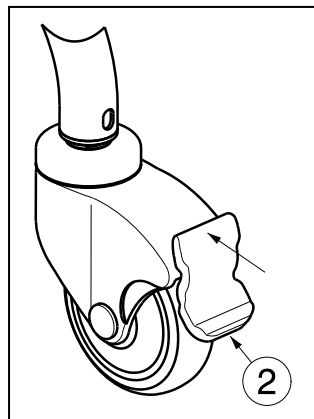
Ahora la almohadilla del reposabrazos pasa a estar a la misma altura que el cojín del asiento.

2.7 Giro libre de las ruedas / frenos de estacionamiento (solo para modelo Normandie + ruedas)

- ⚠ **ADVERTENCIA: Riesgo de lesiones: bloquee las cuatro ruedas para fijar la posición de estacionamiento.**
- ⚠ **ADVERTENCIA: El buen funcionamiento de los frenos depende de su desgaste y de las sustancias presentes en ellas (agua, aceite, barro, etc.). Compruebe las condiciones de las ruedas antes de utilizarlas.**
- ⚠ **ADVERTENCIA: Los frenos son regulables y pueden desgastarse. Compruebe su funcionamiento antes de usarlos.**
- ⚠ **PRECAUCIÓN: Riesgo de movimientos no deseados: asegúrese de que el sillón de descanso se encuentra sobre una superficie horizontal plana antes de soltar los frenos. No suelte nunca los frenos a la misma vez.**



- 1** **Accionamiento de los frenos de estacionamiento**
Empuje hacia abajo con el pie la placa gris del freno de la rueda hasta que quede bloqueada. Ahora las ruedas ya no pueden girar.



- 2** **Liberación de los frenos de estacionamiento**
Empuje con el pie, y en dirección al chasis, la placa gris del freno de las ruedas. Ahora las ruedas están libres y pueden rodar normalmente.

2.8 Cruce de bordillos con rampas

⚠ ADVERTENCIA: Riesgo de vuelco: no suba ni baje por rampas sin la ayuda de otra persona.

Si tiene intención de instalar rampas para superar obstáculos, tenga en cuenta lo siguiente:

El sillón ha sido diseñado principalmente para ser utilizado en espacios interiores y en superficies firmes y niveladas. No suba ni baje rampas accidentadas ni con baches ya que el sillón de descanso no está equipado con cuatro ruedecillas giratorias. Límitese a las pendientes con un ángulo máximo del 6% (3°).

2.9 Transporte en coche

⚠ ADVERTENCIA: Riesgo de lesiones: compruebe que el sillón esté sujeto de forma apropiada en el coche o la furgoneta.

Para transportar el sillón en un coche, siga estos pasos:

1. Extraiga los accesorios.
2. Guarde los accesorios en un lugar seguro.
3. Coloque el sillón en el maletero.
4. Si el sillón y el compartimento de los pasajeros NO están separados, sujete el chasis firmemente al vehículo. Puede utilizar los cinturones de seguridad del vehículo.

3 Instalación y ajuste

Este capítulo contiene instrucciones destinadas a los distribuidores especializados.

Para encontrar un centro de servicio o un distribuidor especializado cerca de usted, póngase en contacto con el centro Vermeiren más próximo. Puede encontrar una lista con los centros Vermeiren en la última página.

- ⚠ **ADVERTENCIA:** Riesgo por ajustes peligrosos; utilice únicamente los ajustes indicados en este manual.
- ⚠ **ADVERTENCIA:** Realizar ajustes en el sillón puede variar su estabilidad (inclinaciones hacia atrás o hacia los lados).

3.1 Herramientas

Para montar el sillón de descanso no son necesarias herramientas.

3.2 Forma de suministro

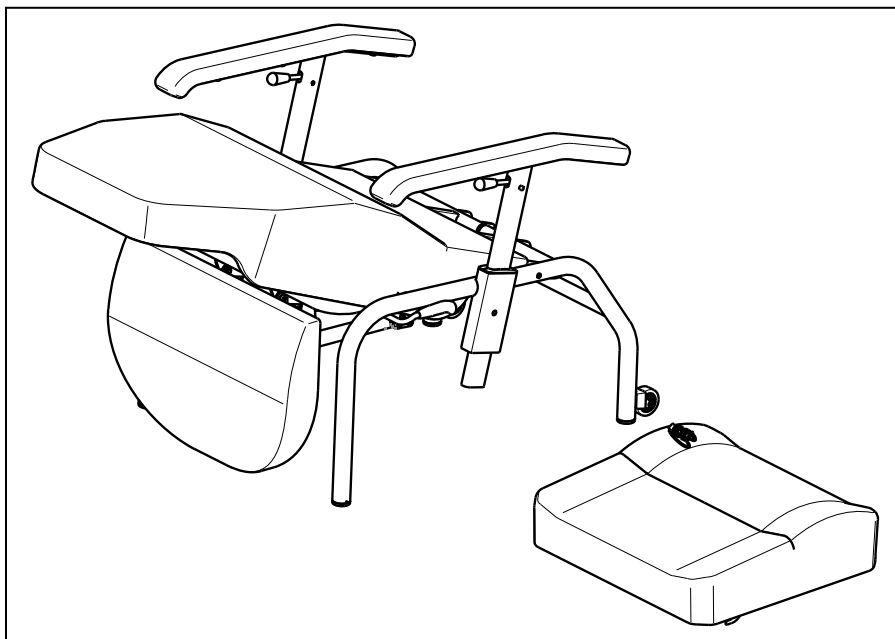
El sillón Vermeiren se entrega con:

- Chasis con cojines para el asiento y el respaldo
- Reposabrazos
- Reposapiernas (solo para Normandie e Normandie XXL)
- Resortes neumáticos (solo para Languedoc, Normandie e Normandie XXL)
- Manual
- Dos tornillos
- Accesorios

Antes de utilizarlo, compruebe que ha recibido todo el material y que no ha sufrido ningún daño (por culpa del transporte u otro motivo).

3.3 Montaje del sillón de descanso

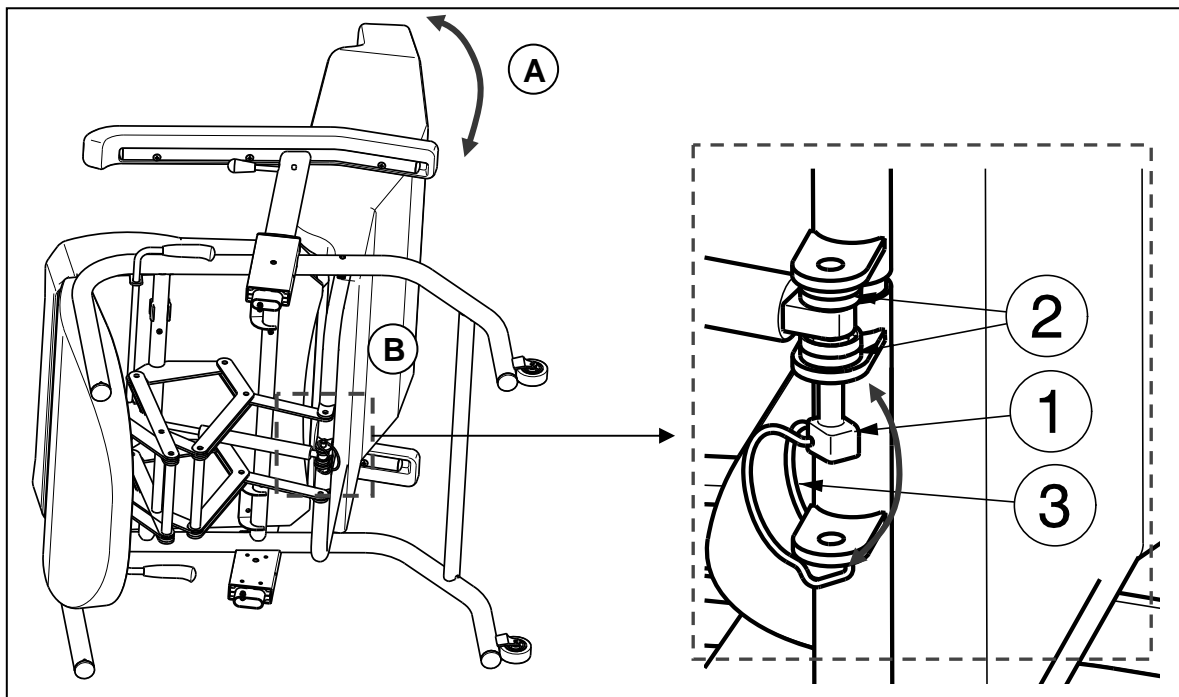
El sillón de descanso se entrega tal y como se muestra en la figura de abajo. Siga las instrucciones siguientes para montar el sillón de descanso.



3.3.1 Montaje del respaldo

Para montar el respaldo, ponga el sillón sobre una superficie plana, de lado.

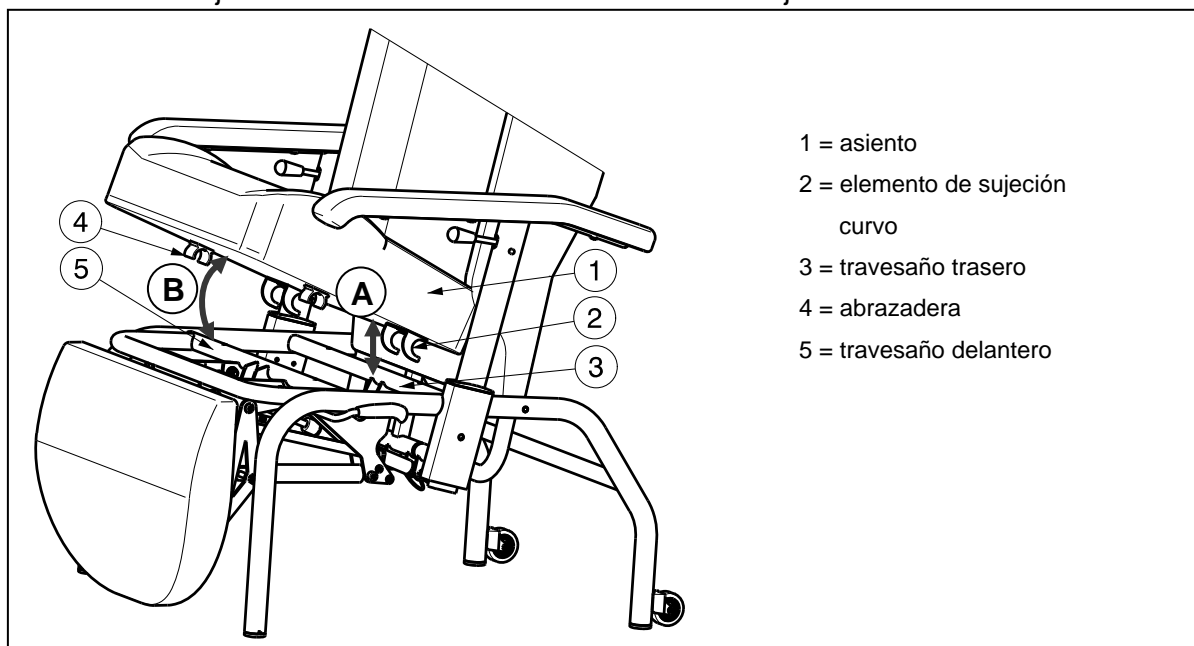
- (A)** Mueva el reposabrazos hacia atrás, hasta que los huecos del chasis inferior trasero y el orificio de suspensión del resorte neumático queden uno encima del otro.
- (B)** Pase el pasador de bloqueo ① por los huecos traseros y por el resorte neumático. Hay que insertar dos arandelas de plástico ② antes y después del hueco para el resorte neumático, a modo de guía espaciadora. Después, asegure el pasador de bloqueo ① ; para ello, pase el resorte tensor ③ sobre el pasador hasta que sobresalga sobre el extremo del pasador de extensión.



3.3.2 Montaje del asiento

⚠ ADVERTENCIA: Riesgo de lesiones: asegúrese de que no haya ningún objeto ni ninguna parte del cuerpo entre el asiento y el chasis.

El asiento se sujeta al chasis básico con abrazaderas de sujeción.



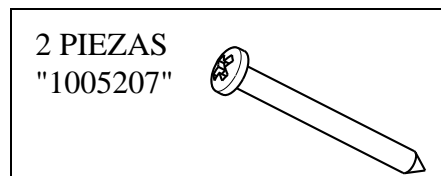
- A** Coloque el asiento ① ligeramente en diagonal respecto al elemento de sujeción curvo ② de forma que el elemento de sujeción se enganche por debajo del travesaño trasero del chasis básico ③.
- B** Empuje el asiento ① hacia abajo por la parte delantera, de forma que la abrazadera ④ se enganche con el travesaño delantero del chasis básico ⑤.

Si no tiene espacio suficiente para montar el cojín del asiento sobre el chasis, mueva el respaldo un poco hacia atrás.

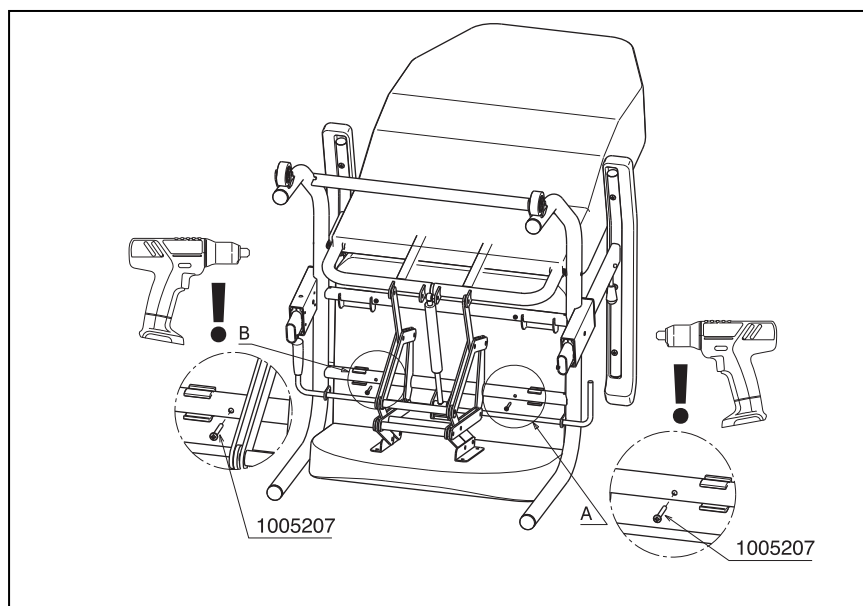
Si quiere retirar el asiento, siga los mismos pasos en orden contrario.

3.3.3 Fijación asiento

Incluido en la entrega: dos tornillos.



Coloque los dos tornillos para fijar el cojín del asiento. Tenga en cuenta que el cojín del asiento ya no puede extraerse de el sillón. Los tornillos se colocan sólo una vez con un taladro.



4 Mantenimiento

Para consultar el manual de mantenimiento del sillón de descanso, visite el sitio web de Vermeiren.



Spis treści

Wstęp	2
1 Opis produktu	3
1.1 Przeznaczenie	3
1.2 Parametry techniczne	4
1.3 Elementy składowe	5
1.4 objaśnienie symboli	6
1.5 Akcesoria.....	6
1.6 Bezpieczeństwo	6
2 Zastosowanie	7
2.1 Przenoszenie fotela wypoczynkowego.....	7
2.2 Zalecenia dotyczące użytkowania fotela wypoczynkowego.....	8
2.3 Nachylenie oparcia -Provence.....	9
2.4 Nachylenie oparcia-Languedoc	10
2.5 Nachylenie oparcia- Normandie, Normandie XXL	11
2.6 Regulacja podłokietników	12
2.7 Koła jezdne / hamulce postojowe (tylko w modelu Normandie + koła).....	12
2.8 Pokonywanie krawężników z użyciem ramp	13
2.9 Transport w samochodzie.....	13
3 Montaż i regulacja	14
3.1 Narzędzia.....	14
3.2 Sposób dostawy	14
3.3 Montaż fotela wypoczynkowego	14
4 Konserwacja	16

PL



Wstęp

Przede wszystkim pragniemy Państwu podziękować za zaufanie, jakim nas Państwo obdarzyli, dokonując wyboru jednego z naszych produktów.

Wózki Vermeiren są konstruowane na podstawie wieloletnich badań i doświadczenia. W procesie projektowania szczególną uwagę poświęcono łatwości użycia i solidności.

Na szacowaną żywotność wózka olbrzymi wpływ ma konserwacja oraz pielęgnacja wózka.

Niniejsza instrukcja pomoże Państwu zapoznać się z obsługą podnośnika.

Postępowanie zgodnie z instrukcjami dotyczącymi obsługi i konserwacji stanowi zasadniczy warunek gwarancji.

Niniejsza instrukcja obsługi odzwierciedla aktualny stan produktu. Firma Vermeiren zastrzega sobie jednak prawo do wprowadzenia zmian bez obowiązku dostosowania lub wymiany wcześniej dostarczonych modeli.

W razie jakichkolwiek pytań prosimy kontaktować się ze sprzedawcą.

1 Opis produktu

1.1 Przeznaczenie

Fotel wypoczynkowy Provence, Normandie, Languedoc został stworzony całkowicie dla Państwa wygody.

Fotel wypoczynkowy jest zaprojektowany dla jednej osoby.

Osoby chcące korzystać z fotela muszą przynajmniej w wystarczającym stopniu kontrolować ruchy tułowia i nie mogą wykazywać zaburzeń równowagi, jeśli ma to wpływ na boczną stabilność.

Fotel wypoczynkowy jest dostosowany do użytku JEDYNNIE wewnątrz pomieszczeń.

Aby przenieść fotel wypoczynkowy Provence, Normandie, Languedoc do wnętrza, może być potrzebna pomoc. Wózek może również potrzebować własnego miejsca przechowywania.

Wiele rodzajów akcesoriów, a także konstrukcja, umożliwiają pełne użytkowanie wózka przez osoby niepełnosprawne na skutek:

- paraliżu;
- słabych/zniekształconych kończyn (przy zachowaniu kontroli ruchów tułowia)
- urazów stawów,
- niewydolności serca i słabego krążenia krwi;

Wskazania do korzystania z tego produktu muszą uwzględniać następujące elementy:

- rozmiary i masę ciała (**maksymalne obciążenie 130 kg; 350 kg dla modelu XXL**)
- stan fizyczny i psychiczny;
- Środowisko domowe

Z fotel wypoczynkowy należy korzystać wyłącznie na powierzchniach, na których wszystkie cztery koła dotykają podłoża oraz na których kontakt jest wystarczający, aby odpowiednio napędzać koła.

Fotelika nie należy używać w roli drabiny, nie może on służyć również do transportu ciężkich ani gorących przedmiotów.

Podczas użytkowania na matach, dywanach lub luźnych przykryciach podłogowych może dojść do uszkodzenia powierzchni wykładzinowej.

Konieczne należy dobrać model, który jest najlepiej dopasowany dla wielkości/budowy ciała pacjenta. Siedzisko zostało skonstruowane zgodnie z zasadami ergonomii dla Państwa wygody.

Należy korzystać wyłącznie z akcesoriów zatwierdzonych przez firmę Vermeiren.


Producent nie ponosi odpowiedzialności za uszkodzenia spowodowane zaniedbaniami konserwacji, nieodpowiednim serwisowaniem bądź będące skutkiem nieprzestrzegania zaleceń zawartych w niniejszej instrukcji obsługi.

Postępowanie zgodnie z instrukcją użytkownika oraz instrukcją konserwacji stanowi zasadniczy warunek gwarancji.

Osoby niedowidzące mogą skontaktować się ze sprzedawcą w celu uzyskania instrukcji użytkowania.

1.2 Parametry techniczne

Poniższe parametry techniczne dotyczą produktu ze standardowym wyposażeniem oraz pokrytego tapicerką. Jeśli używane są inne akcesoria, zestawienia wartości w tabelach ulegną zmianie.

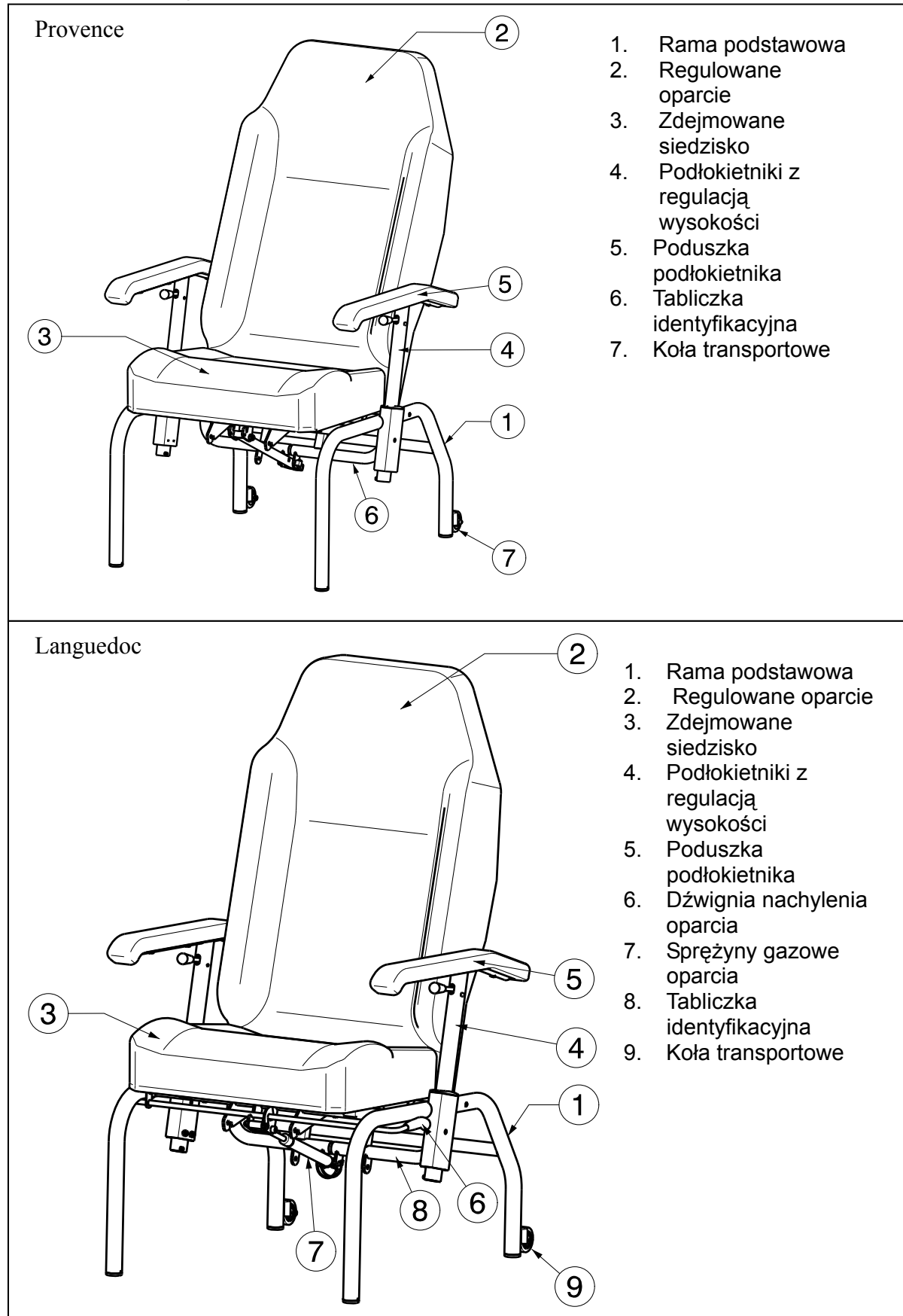
Producent	Vermeiren				
Adres	Vermeirenplein 1/15, B-2920 Kalmthout				
Typ	Fotel wypoczynkowy				
Model	Provence	Languedoc	Normandie	Normandie XXL	
Maksymalna waga użytkownika	130 kg	130 kg	130 kg	350 kg	
Opis	Min. - Max.	Min. - Max.	Min. - Max.	Min. - Max.	
Długość całkowita	750 mm	750 mm	750 mm	760 mm	
Długość po demontażu	1080 mm	1080 mm	1080 mm	1080 mm	
Szerokość użytkowa siedziska	540 mm	540 mm	540 mm	770 mm	
Szerokość całkowita	660 mm	660 mm	660 mm	890 mm	
Szerokość po demontażu	660 mm	660 mm	660 mm	890 mm	
Wysokość całkowita	1150 mm	1200 mm	1200 mm	1200 mm	
Wysokość po demontażu	810 mm	810 mm	810 mm	810 mm	
Waga całkowita	Okolo 21,85 kg	Okolo 22,85 kg	Okolo 24,85 kg	Okolo 37,75 kg	
Waga najcięższej części	19,10 kg	20,10 kg	22,10 kg	32,40 kg	
Waga części, które można zdemontować lub zdjąć.	Poduszka siedziska: 2,75 kg	Poduszka siedziska: 2,75 kg	Poduszka siedziska: 2,75 kg	Poduszka siedziska: 5,35 kg	
Stabilność statyczna przy pochyłości	6% (w konfiguracji standardowej)				
Stabilność statyczna pod górę	6% (w konfiguracji standardowej)				
Zdolność pokonywania przeszkód	Nie dotyczy				
Kąt nachylenia siedziska	8°			7°	
Głębokość użytkowa siedziska	440 mm	440 mm	440 mm	480 mm	
Wysokość przedniej krawędzi siedziska	510 mm	510 mm	510 mm	510 mm	
Grubość poduszki siedziska	100 mm	100 mm	100 mm	100 mm	
Kąt nachylenia oparcia	10° - 32°	13° - 45°	13° - 45°	13° - 40°	
Wysokość oparcia	780 mm	780 mm	780 mm	780 mm	
Odległość podnóżek od siedziska	--	--	300 mm	360 mm	
Kąt między siedziskiem a podnóżkiem	--	--	0° - 90°	0° - 80°	
Wysokość podłokietników	-1,5 mm (tylko w przypadku przenoszenia pacjenta bokiem)				
	138 mm - 170 mm	138 mm - 170 mm	138 mm - 170 mm	138 mm - 220 mm	
Maksymalna przestrzeń między ścianą a fotelem wypoczynkowym	380 mm	380 mm	380 mm	380 mm	
Sprężyny gazowe oparcia / podnóżka	--	--	150 N	850 N	
Temperatura przechowywania i użytkowania	+ 5 °C - + 40°C	+ 5 °C - + 40°C	+ 5 °C - + 40°C	+ 5 °C - + 40°C	
Wilgotność powietrza do przechowywania i użytkowania	30% - 70%	30% - 70%	30% - 70%	30% - 70%	

Producent zastrzega sobie prawo do wprowadzania zmian parametrów technicznych. Tolerancja pomiarów ± 15 mm / 1,5 kg / °

Tabela 1: Parametry techniczne

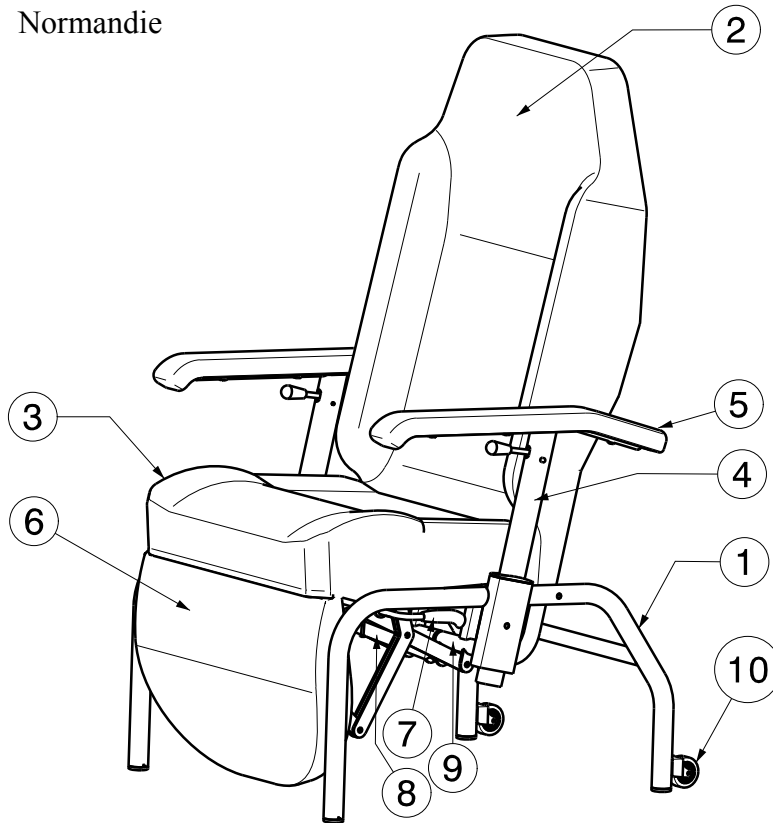
Fotel wypoczynkowy spełnia wymogi następujących norm:
EN 1021-1, EN1021-2: Odporność części pokrytych tapicerką na zapłon.

1.3 Elementy składowe



PL

Normandie



1. Rama podstawowa
2. Regulowane oparcie
3. Zdemontowane siedzisko
4. Podłokietniki z regulacją wysokości
5. Poduszka podłokietnika
6. Podnóżek
7. Dźwignia nachylenia oparcia / podnóżka
8. Sprężyny gazowe oparcia / podnóżka
9. Tabliczka identyfikacyjna
10. Koła transportowe

1.4 **Objaśnienie symboli**



Waga maksymalna



Do używania na wewnątrz



Deklaracja CE



Oznaczenie typu

1.5 **Akcesoria**

Regulowane / poszerzone podłokietniki

Drażek poprzeczny (wyposażenie standardowe w zestawie z kołami kierującymi)

Podstopnik (Dla Provence oraz Languedoc)

Wysuwany podnóżek

Elektryczne regulowane oparcie (Tylko dla Normandie E)

1.6 **Bezpieczeństwo**

Należy brać pod uwagę następujące wskazówki dotyczące bezpieczeństwa:

- ⚠ Należy przestrzegać instrukcji użytkownika fotel wypoczynkowy.
- ⚠ Aby zapobiec obrażeniom rąk i uszkodzeniu fotel wypoczynkowy, należy upewnić się, że żadne obiekty i części ciała nie zakleszczą się w systemach regulacji (nachylenie podnóżka (tylko dla modelu Normandie) oparcia itp.).
- ⚠ Należy regularnie sprawdzać, czy blokada kół działa poprawnie (tylko w modelu Normandie + koła).

- ⚠ Przed wsiadaniem i wysiadaniem z fotel wypoczynkowy należy włączyć hamulce postojowe (tylko w modelu Normandie + koła).
- ⚠ Aby podnieść przedmiot (leżący naprzeciw, z boku lub z tyłu fotel wypoczynkowy), nie należy wychylać się za daleko, aby uniknąć przewrócenia.
- ⚠ W przypadku poruszania się przez drzwi, łuki itd. należy upewnić się, że jest wystarczająco miejsca po obu stronach, aby uniknąć uszkodzenia fotel wypoczynkowy.
- ⚠ Zmieniając nachylenie fotela, należy upewnić się, że wystarczająco duża przestrzeń została zapewniona wokół fotela oraz nad nim. W przeciwnym razie czynności regulacji mogą spowodować uszkodzenie fotela lub obrażenia ciała.
- ⚠ Należy używać fotel wypoczynkowy zgodnie z przepisami. Przykładowo nie należy dopuszczać do nie kontrolowanego uderzania o przeszkody (stopnie, krawężniki, futryny itd.). Nie należy również dopuszczać, aby wózek spadł ze stopni. Producent nie ponosi odpowiedzialności za szkody wynikłe z przeciążenia, kolizji lub innego niewłaściwego użytkowania.
- ⚠ Podczas przenoszenia fotela lub w sytuacji, gdy jest nachylony, nie należy chwycić go za ruchome części (np. za podnóżek).
- ⚠ Gdy fotel nie jest używany, nie należy zostawiać go w nachyleniu.
- ⚠ Nie należy siadać na podnóżku ani na podłokietnikach.
- ⚠ Nie należy opierać się o podnóżek ani oparcie ze względu na ryzyko przewrócenia fotela.
- ⚠ Nigdy nie należy przekraczać **maksymalnego obciążenia**.
- ⚠ Stawiaj krzeselko zawsze na równej powierzchni upewniając się, że wszystkie cztery kółka / nogi mają kontakt z podłożem.
- ⚠ Należy korzystać wyłącznie z akcesoriów zatwierdzonych przez firmę Vermeiren, części zapasowych lub sprężyny gazowe.
- ⚠ Nigdy nie należy otwierać przewodów sprężyn gazowych: ciśnienie wewnątrz jest bardzo wysokie i może spowodować obrażenia!
- ⚠ Jeżeli jedna ze sprężyn gazowych uległa uszkodzeniu, należy natychmiast zaprzestać używania fotela. Należy skontaktować się z wyspecjalizowanym sprzedawcą, aby bezzwłocznie dokonano wymaganych napraw.

2 Zastosowanie

W niniejszym rozdziale opisano normalne użytkowanie roweru rehabilitacyjnego trójkołowego. **Instrukcje te są przeznaczone dla użytkownika oraz wyspecjalizowanego sprzedawcy.**

Produkt jest dostarczany klientowi po złożeniu przez wyspecjalizowanego sprzedawcę. Instrukcje montażu fotelika przeznaczone dla wyspecjalizowanego sprzedawcy zawarte są w § 3.

2.1 Przenoszenie fotela wypoczynkowego

W celu przeniesienia fotela należy ustawić oparcie w pozycji pionowej.

Fotel najłatwiej przenosić przesuwając go na kołach (tylko w modelu Normandie z kołami) lub przechylając do tyłu i przesuwając na dwóch kołach transportowe do wybranego miejsca.

Jeśli nie ma takiej możliwości, należy w dwie osoby mocno złapać ramę za stałe części z przodu i z tyłu bądź po bokach. Nie należy łapać fotela za podnóżek, podłokietniki lub siedzisko.

Do znoszenia lub wnoszenia fotela po schodach lub przenoszenia przez pojedyncze stopnie czy podesty potrzebne są przynajmniej dwie osoby.

Aby uniknąć obrażeń ciała lub uszkodzenia produktu, pod fotelem nie powinny znajdować się na czas transportu osoby ani przedmioty.

2.2 Zalecenia dotyczące użytkowania fotela wypoczynkowego

2.2.1 Przenoszenie na fotel oraz z fotela

- ⚠ **OSTRZEŻENIE:** Ryzyko przewrócenia się — należy upewnić się, że fotel wypoczynkowy nie przewróci się do tyłu, gdy jest maksymalnie odchylny.
- ⚠ **PRZESTROGA:** Jeśli nie można samemu bezpiecznie usiąść na fotelu lub wstać z niego, należy poprosić kogoś o pomoc.

Przenoszenie pacjenta na fotel wypoczynkowy powinno odbywać się w następujący sposób:

1. Upewnij się, że koła są zablokowane (tylko w modelu Normandie + koła).
2. Ustaw fotel w pozycji wychylonej jak najbardziej do przodu (minimalne odchylenie) za pomocą dźwigni regulacyjnych.
3. Zwolnij hamulce.
4. Ustaw fotel wypoczynkowy jak najbliżej krzesła, kanapy bądź łóżka, z którego ma być przeniesiony pacjent.
5. Upewnij się, że koła fotela wypoczynkowego są zablokowane.
6. Włóż pacjenta na wózek. Przenieś pacjenta na fotel. Ustaw oparcie poduszka podłokietnika na wysokości poduszki siedziska w celu przeniesienia pacjenta bokiem (szczegóły w rozdziale 2.6).
7. Umieść fotel w pozycji maksymalnie odchylny (maksymalne odchylenie).

Przenoszenie pacjenta z fotela wypoczynkowy powinno odbywać się w następujący sposób:

1. Upewnij się, że koła są zablokowane.
2. Ustaw fotel w pozycji wychylonej jak najbardziej do przodu (minimalne odchylenie) za pomocą dźwigni regulacyjnych.
3. Zwolnij hamulce.
4. Ustaw fotel wypoczynkowy jak najbliżej krzesła, kanapy bądź łóżka, na którego ma być przeniesiony pacjent.
5. Wysiądź z wózka. Przenieś pacjenta na fotel. Ustaw oparcie poduszka podłokietnika na wysokości poduszki siedziska w celu przeniesienia pacjenta bokiem (szczegóły w rozdziale 2.6).

2.2.2 Prawidłowa pozycja w wózku

Zalecenia dotyczące wygodnego korzystania z wózka:

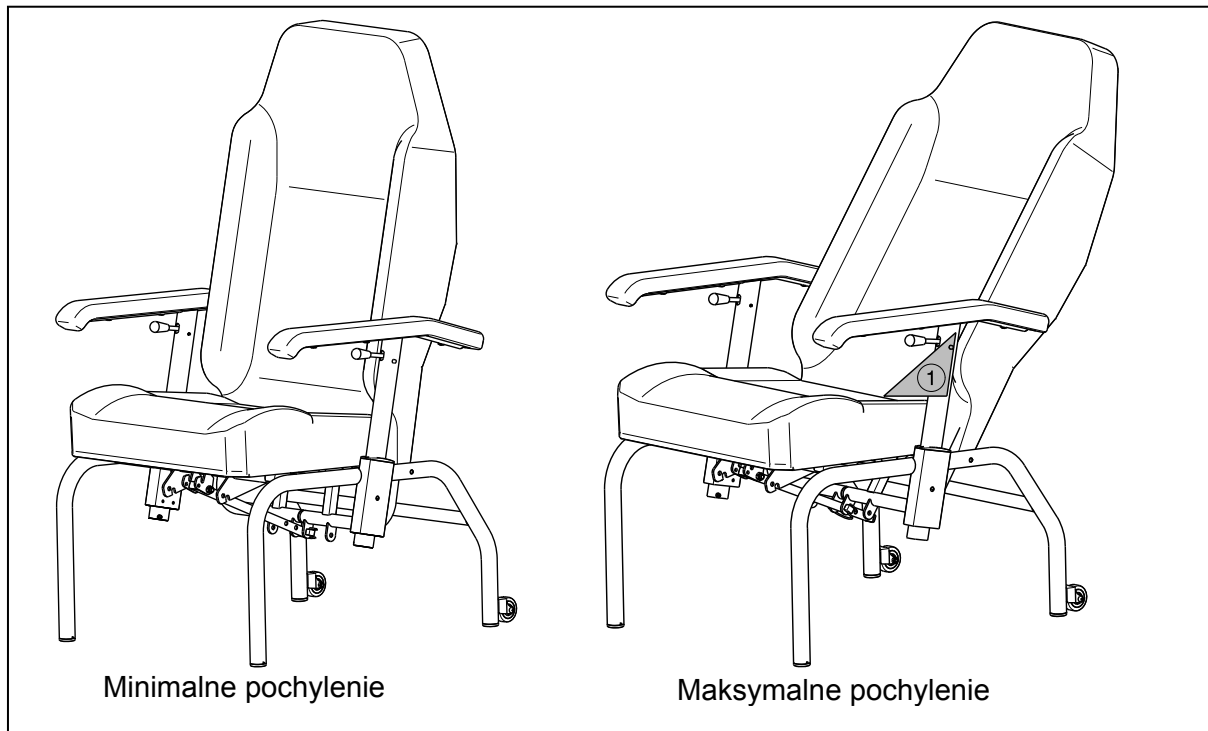
- Plecy powinny znajdować się możliwie najbliżej oparcia.

2.2.3 Przemieszczanie/przewożenie wózka

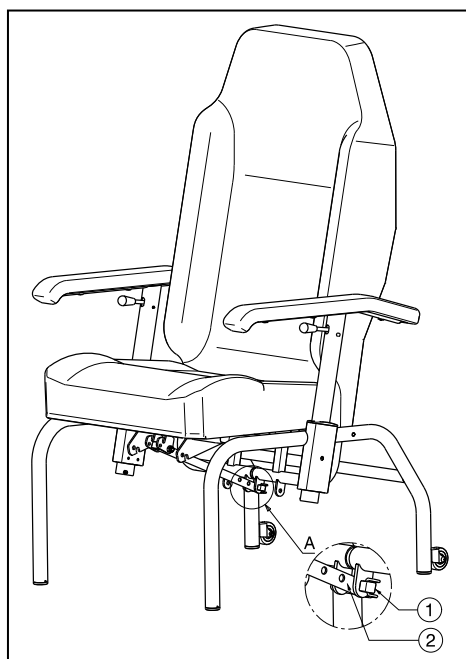
- ⚠ **OSTRZEŻENIE:** Ryzyko przytrzaśnięcia — zachowaj ostrożność podczas przejazdu przez ograniczone przestrzenie (np. drzwi).
 - ⚠ **OSTRZEŻENIE:** Ryzyko poparzenia — należy zachować ostrożność podczas używania wózka przy bardzo wysokich i niskich temperaturach, dotykając wózka po upływie pewnego czasu — powierzchnie mogą przyjmować temperaturę otoczenia.
 - ⚠ **OSTRZEŻENIE:** Ryzyko urazu — podczas transportu pod wózkiem nie powinny znajdować się żadne osoby ani przedmioty.
1. Upewnij się, że koła są zablokowane (tylko w modelu Normandie + koła).
 2. Wyjmij pacjenta z wózka.
 3. Zwolnij hamulce.
 4. Przenieś wózek dożądanego miejsca w pozycji poziomej.
 5. Zablokuj koła.
 6. Posadź pacjenta na wózek.

2.3 Nachylenie oparcia -Provence

- ⚠ **OSTRZEŻENIE:** Ryzyko przewrócenia się — należy upewnić się, że fotel wypoczynkowy nie przewróci się do tyłu, gdy jest maksymalnie odchylony.
- ⚠ **OSTRZEŻENIE:** Ryzyko obrażeń — należy upewnić się, że w obszarze regulacji nie znajdują się żadne przedmioty ani osoby (patrz: strefy uwięzienia elementów zewnętrznych).
- ⚠ **OSTRZEŻENIE:** Ryzyko urazu — w strefie uwięzienia elementów zewnętrznych nie należy umieszczać palców, odzieży, sprzączek, przewodów ani innych obiektów.



Strefy uwięzienia elementów zewnętrznych zaznaczono na powyższym rysunku za pomocą symbolu ①.

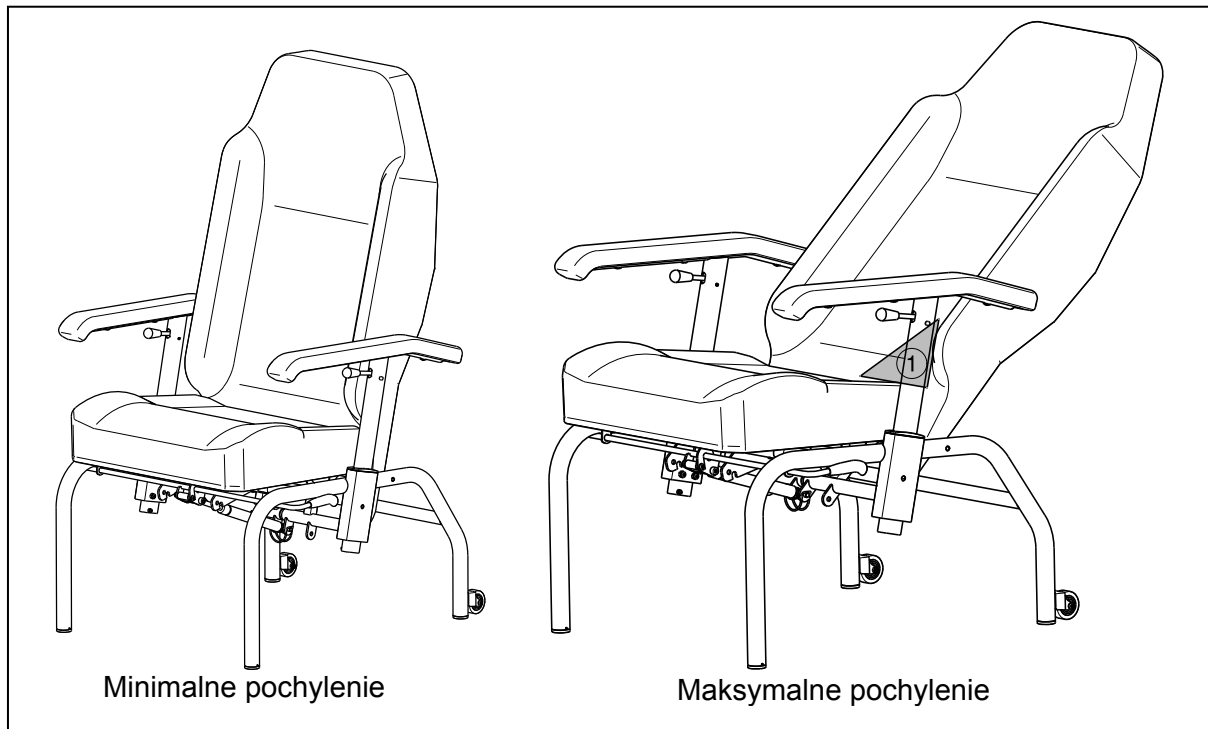


Zmiana nachylenia fotela wypoczynkowego:

1. Zmieniając nachylenie fotela należy sprawdzić, czy między fotelem a ścianą znajduje się odpowiednio duża przestrzeń: 380 mm.
2. Aby zmienić kąt nachylenia należy wyjąć kółko zabezpieczające ① znajdujący się pod siedziskiem.
3. Należy ustawić pożądany kąt nachylenia fotela wypoczynkowego. Fotel ma trzy położenia od 10° do 32° skokowo co 11°.
4. Zamontuj kółko zabezpieczające ①.

2.4 Nachylenie oparcia-Languedoc

- ⚠ **OSTRZEŻENIE:** Ryzyko przewrócenia się — należy upewnić się, że fotel wypoczynkowy nie przewróci się do tyłu, gdy jest maksymalnie odchylony.
- ⚠ **OSTRZEŻENIE:** Ryzyko obrażeń — należy upewnić się, że w obszarze regulacji nie znajdują się żadne przedmioty ani osoby (patrz: strefy uwięzienia elementów zewnętrznych).
- ⚠ **OSTRZEŻENIE:** Ryzyko urazu — w strefie uwięzienia elementów zewnętrznych nie należy umieszczać palców, odzieży, sprzączek, przewodów ani innych obiektów.



Kąt nachylenia oparcia można ustawić za pomocą sprężyny gazowej.

Strefy uwięzienia elementów zewnętrznych zaznaczono na powyższym rysunku za pomocą symbolu ①.

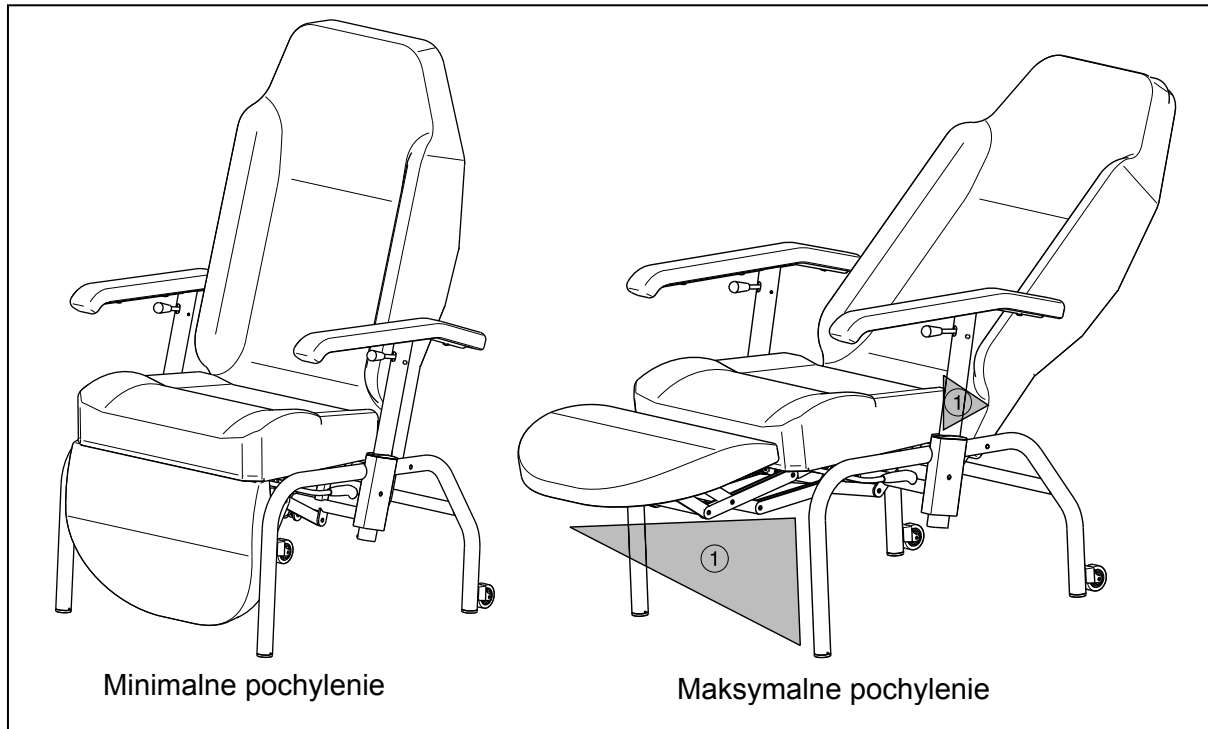
Zmiana nachylenia fotela wypoczynkowego:

1. Nachylenie fotela wypoczynkowego można dostosować dzięki dźwigniom regulacyjnym znajdującym się w części bocznej blisko rur siedziska na wysokości gniazda podłokietnika. (Zmieniając nachylenie fotela należy sprawdzić, czy między fotelem a ścianą znajduje się odpowiednio duża przestrzeń: 380 mm).

Pociągnij lekko za dźwignię, dzięki czemu zostanie zwolniona sprężyna gazowa, co pozwoli na ustawienie oparcia w wymaganej pozycji. Po ponownym zwolnieniu dźwigni nastąpi blokada sprężyny gazowej, a oparcie zatrzyma się w odpowiedniej pozycji (nachylenie oparcia: 13° - 45°).

2.5 Nachylenie oparcia- Normandie, Normandie XXL

- ⚠ **OSTRZEŻENIE:** Ryzyko przewrócenia się — należy upewnić się, że fotel wypoczynkowy nie przewróci się do tyłu, gdy jest maksymalnie odchylony.
- ⚠ **OSTRZEŻENIE:** Ryzyko urazu — upewnij się, że hamulce są włączone przed zmianą pochylecia fotel wypoczynkowy (tylko w modelu Normandie + koła).
- ⚠ **OSTRZEŻENIE:** Ryzyko obrażeń — należy upewnić się, że w obszarze regulacji nie znajdują się żadne przedmioty ani osoby (patrz: strefy uwięzienia elementów zewnętrznych).
- ⚠ **OSTRZEŻENIE:** Ryzyko urazu — w strefie uwięzienia elementów zewnętrznych nie należy umieszczać palców, odzieży, sprzączek, przewodów ani innych obiektów.



Kąt nachylenia oparcia oraz podnóżka można ustawić za pomocą sprężyny gazowej.

Strefy uwięzienia elementów zewnętrznych zaznaczono na powyższym rysunku za pomocą symbolu ①.

Zmiana nachylenia fotela wypoczynkowego:

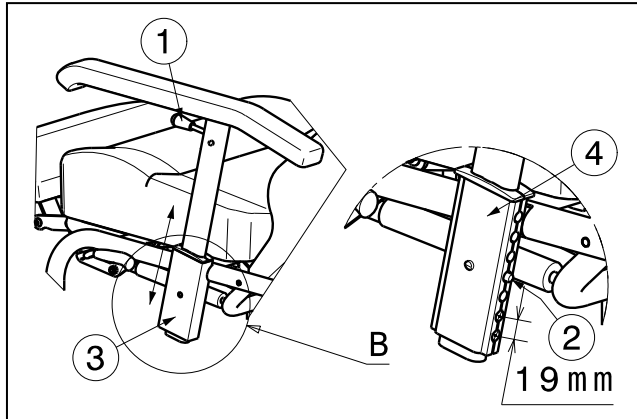
1. Zablokuj koła (tylko w modelu Normandie + koła).
2. Nachylenie fotela wypoczynkowego można dostosować dzięki dźwigniom regulacyjnym znajdującym się w części bocznej blisko rur siedziska na wysokości gniazda podłokietnika. (Zmieniając nachylenie fotela należy sprawdzić, czy między fotelem a ścianą znajduje się odpowiednio duża przestrzeń: 380 mm).

Pociągnij lekko za dźwignię, dzięki czemu zostanie zwolniona sprężyna gazowa, co pozwoli na ustawienie oparcia / podnóżka w wymaganej pozycji. Po ponownym zwolnieniu dźwigni nastąpi blokada sprężyny gazowej, a oparcie / podnóżka zatrzyma się w odpowiedniej pozycji (nachylenie oparcia: 13° - 45°; nachylenie podnóżka: 0° - 90°).

2.6 Regulacja podłokietników

Istnieje możliwość regulacji wysokości podłokietników i obniżenia ich do poziomu ramy siedziska przy przenoszeniu pacjenta bokiem.

Regulacja wysokości podłokietników:



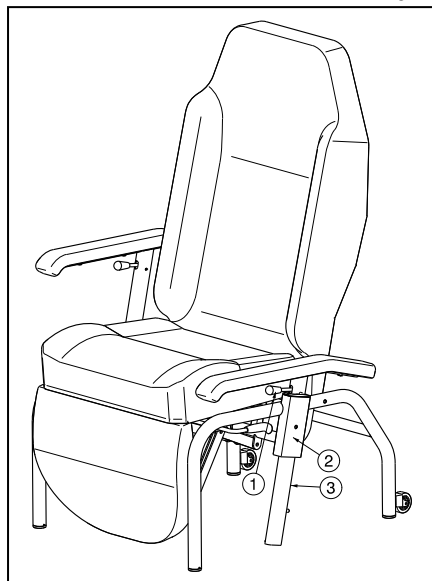
Pociągnij dźwignię podłokietników ① do góry (w kierunku poduszka podłokietnika).

Spowoduje to zwolnienie sprężyny blokującej ② i umożliwi przesunięcie podłokietnika w gnieździe podłokietnika ③ do odpowiedniego ułożenia (zakres 57 mm: 4 pozycje: co 19 mm).

3 górne otwory prowadnika ④ nie są używane.

⚠ OSTRZEŻENIE: Ryzyko obrażeń — Jeżeli sprężyna blokująca ② wyjdzie poza gniazdo podłokietnika ③, podłokietnik nie zostanie zablokowany. Ułożenie należy stosować jedynie przy przenoszeniu pacjenta bokiem.

Ułożenie do przenoszenia pacjenta bokiem:

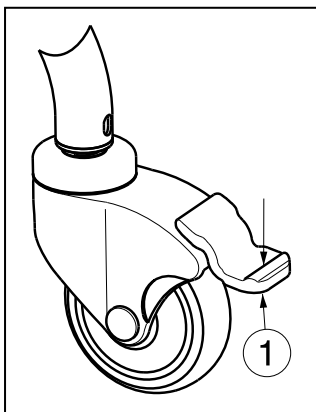


Aby obniżyć podłokietnik w celu przeniesienia pacjenta bokiem, pociągnij dźwignię ① i przesunij podłokietnik do najniższej możliwej pozycji.

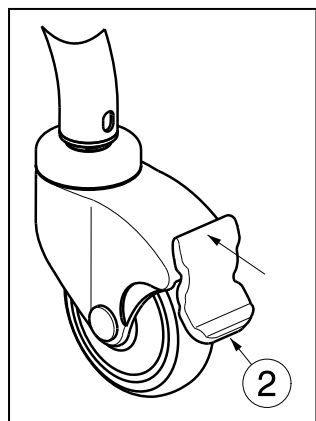
W ten sposób oparcie poduszka podłokietnika znajdzie się na tym samym poziomie, co poduszka siedziska.

2.7 Koła jezdne / hamulce postojowe (tylko w modelu Normandie + koła)

- ⚠ OSTRZEŻENIE: Ryzyko urazu —** należy zablokować wszystkie cztery koła, aby ustawić fotel wypoczynkowy w pozycji parkowania.
- ⚠ OSTRZEŻENIE: Prawidłowe działanie hamulców zależy od ich zużycia i zanieczyszczenia opon (woda, olej, błoto itp.) —** Należy sprawdzić stan opon przed każdym użyciem.
- ⚠ OSTRZEŻENIE: Hamulce są regulowane i mogą ulec zużyciu –** należy sprawdzać stan hamulców przed każdym użyciem.
- ⚠ PRZESTROGA: Ryzyko przypadkowego ruchu fotelika -** przed zwolnieniem hamulca sprawdź, czy fotelik stoi na równym, poziomym podłożu. Nigdy nie należy zwalniać obu hamulców jednocześnie.



- ① **Włączanie hamulca postojowego**
 Naciśnij stopą szarą płytę hamulca kół, aż zablokuje się w odpowiedniej pozycji. Koła są teraz zablokowane.



- ② **Zwalnianie hamulca postojowego**
 Naciśnij stopą szarą płytę hamulca kół w kierunku ramy. Koła zostają odblokowane i mogą się obracać oraz skręcać.

2.8 Pokonywanie krawężników z użyciem ramp

⚠ OSTRZEŻENIE: Ryzyko przewrócenia – nigdy nie należy wjeżdżać na rampy bądź zjeżdżać z nich bez pomocy innej osoby.

Jeśli rozważana jest instalacja rampy do pokonywania przeszkód, należy wziąć pod uwagę, co następuje:

Wózek jest przede wszystkim przeznaczony do użytku wewnątrz pomieszczeń oraz na poziomych twardej powierzchniach. Nie wolno wjeżdżać na podjazdy ani z nich zjeżdżać, jeżeli są nierówne lub mają wyboistą powierzchnię albo jeśli fotel wypoczynkowy nie jest wyposażony w cztery koła jezdne. Należy ograniczyć się do wjazdów lub zjazdów o maksymalnym kącie 6% (3°).

2.9 Transport w samochodzie

⚠ OSTRZEŻENIE: Ryzyko urazu — należy upewnić się, że wózek jest przymocowany właściwie w samochodzie osobowym lub ciężarowym.

Podczas transportu fotel wypoczynkowy należy wykonać następujące czynności:

1. Wymontuj akcesoria.
2. Przechowuj akcesoria w bezpiecznym miejscu.
3. Umieść wózek w bagażniku.
4. Jeśli wózek NIE znajduje się w przedziale bagażowym oddzielonym od kabiny pasażerów, dokładnie umocuj ramę wózek do pojazdu. Można użyć dostępnych pasów bezpieczeństwa pojazdu.

3 Montaż i regulacja

Instrukcje zawarte w niniejszym rozdziale są przeznaczone dla wyspecjalizowanego sprzedawcy.

Aby uzyskać informację o odpowiednim punkcie serwisowym lub wyspecjalizowanym sprzedawcy, należy skontaktować się z najbliższym przedstawicielem firmy Vermeiren.

Wykaz przedstawicieli firmy Vermeiren podano na ostatniej stronie.

- ⚠ **OSTRZEŻENIE:** Ryzyko niebezpiecznych ustawień — należy używać wyłącznie ustawień opisanych w tej instrukcji obsługi.
- ⚠ **OSTRZEŻENIE:** Modyfikacja dopuszczalnego stopnia regulacji ramy może prowadzić do zmiany stabilności wózka (może powodować przechylenie w tył lub na bok).

3.1 Narzędzia

Do montażu fotela wypoczynkowego nie są wymagane żadne narzędzia.

3.2 Sposób dostawy

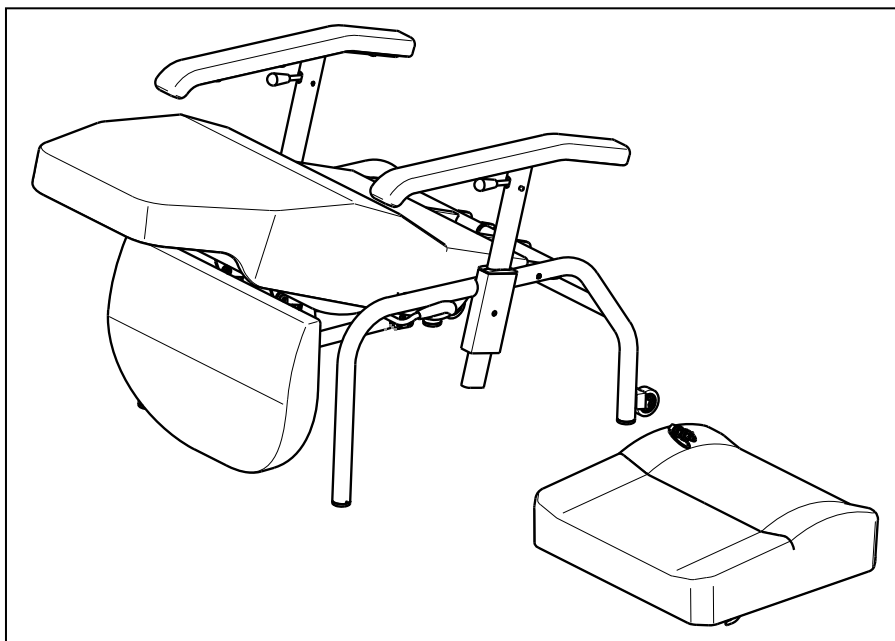
Produkt firmy Vermeiren zawiera:

- Rama z tapicerką siedziska oraz oparcia
- Podłokietniki
- Podstopnik (Dla Normandie i Normandie XXL)
- Sprężyny gazowe (Dla Languedoc, Normandie i Normandie XXL)
- Instrukcja obsługi
- Dwa wkręty
- Akcesoria

Przed użyciem należy się upewnić, że produkt zawiera wszystkie elementy oraz że żaden z elementów nie uległ uszkodzeniu (np. podczas transportu).

3.3 Montaż fotela wypoczynkowego

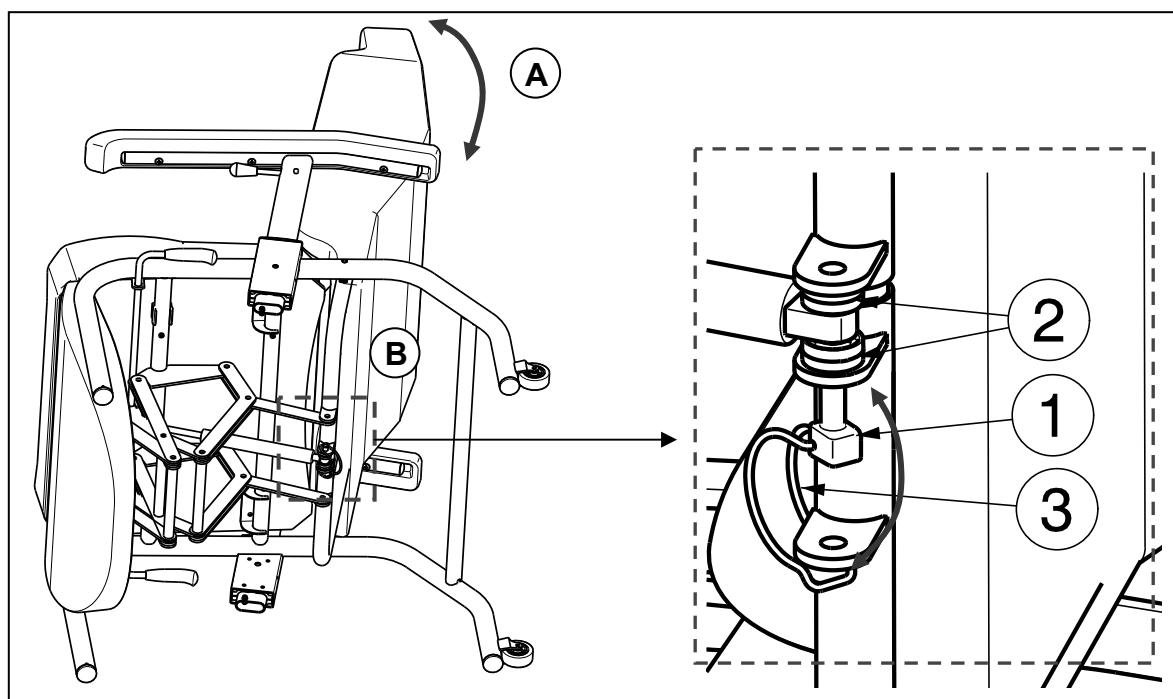
Fotel zostanie dostarczony w formie przedstawionej na poniższym rysunku. Przeprowadź montaż fotela zgodnie z poniższymi instrukcjami.



3.3.1 Mocowanie oparcia

Aby zamontować oparcie, fotel należy położyć bokiem na płaskiej powierzchni.

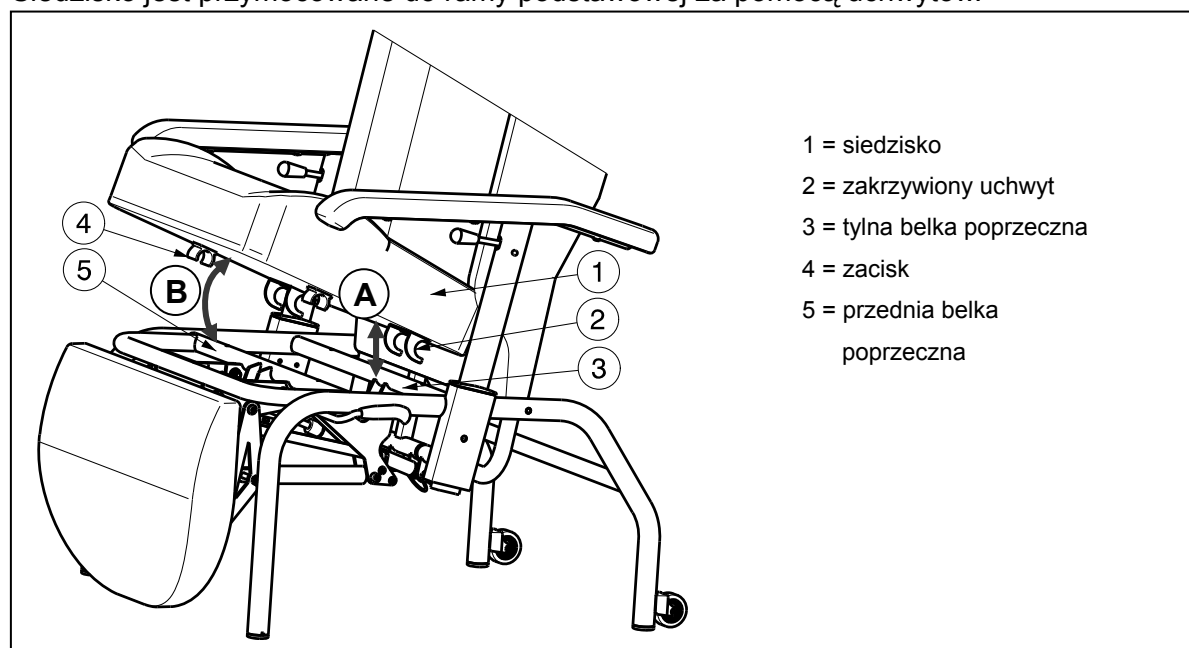
- (A)** Przesuwaj oparcie do tyłu do momentu, aż gniazda dolnej tylnej ramy i oko mocowania sprężyny gazowej znajdą się w jednej linii pionowej.
- (B)** Wsuń kołek blokujący ① między tylne gniazda i sprężynę gazową. Dwie plastikowe podkładki ②, które pełnią rolę przekładek, należy umieścić po obu stronach sprężyny gazowej. Następnie należy zabezpieczyć kołek blokujący ① przeciągając sprężynę naciągową ③ przez kołek do momentu aż pojawi się na końcu spinającego kołka.



3.3.2 Montaż siedziska

⚠ OSTRZEŻENIE: Ryzyko obrażeń — należy upewnić się, że między siedziskiem a ramą nie znajdują się żadne przedmioty ani części ciała.

Siedzisko jest przymocowane do ramy podstawowej za pomocą uchwytów.



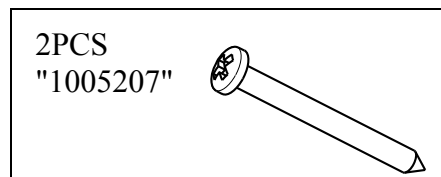
- A** Umieść siedzisko ①, ustawiając zakrzywiony uchwyt lekko po przekątnej ② w taki sposób, aby zaczepił o spód tylnej belki poprzecznej ramy podstawowej ③.
- B** Dociśnij siedzisko ① w jego przedniej części tak, aby zacisk ④ zaczepił się o przednią belkę poprzeczną ramy podstawowej ⑤.

Przesuń oparcie odrobinę do tyłu, jeżeli do montażu poduszki siedziska do ramy potrzeba więcej miejsca.

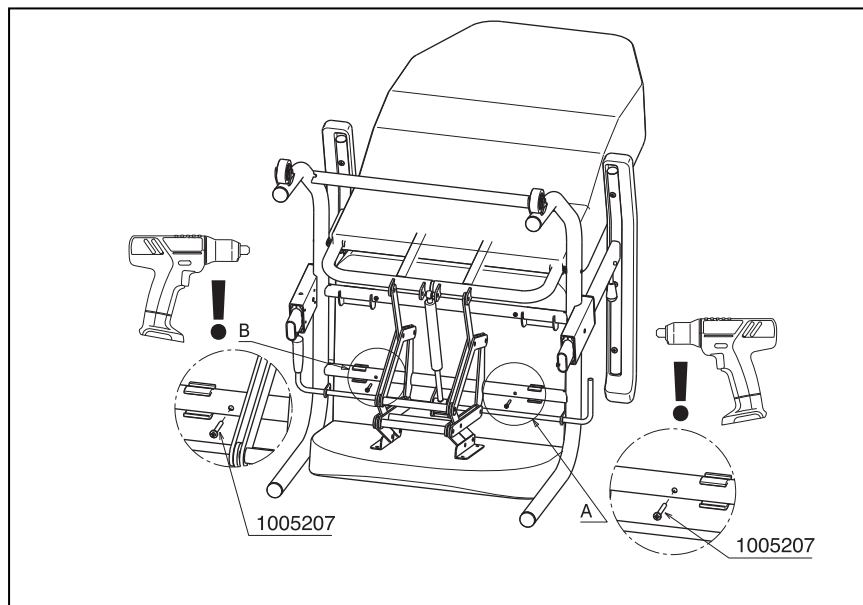
Jeżeli chcesz wyjąć siedzisko, wykonaj odwrotne czynności.

3.3.3 Siedzisko utrwala

Zawarte w dostawie: dwa wkręty.



Zamontuj dwa wkręty od spodniej strony siedziska (patrz rys.) aby przymocować siedzisko. Po zamontowaniu tych dwóch wkrętów poduszki już nie będzie można ściągać z ramy siedziska. Śruby te można zamontować tylko jeden raz i to za pomocą wkrętarki.



4 Konserwacja

Instrukcje dotyczące konserwacji ręcznego fotela wypoczynkowego znajdziesz na stronie internetowej firmy Vermeiren: www.vermeiren.pl.

ITALIANO

GARANZIA CONTRATTUALE

La carrozzine manuali sono garantite 5 anni, la carrozzine ultra leggera 4 anni. Le carrozzine elettroniche, tricicli, letti e altri prodotti: 2 anno contro tutti i difetti di costruzione o di materiale (batterie 6 mesi). Multiposizioni 3 anni. Questa garanzia e' limitata alle sostituzione di parti riconosciute difettose.

CONDIZIONI

Per far valere la garanzia, e' necessario indirizzarla al vostro distributore di fiducia che presentera' al produttore il tagliando.

RISERVE

Questa garanzia non potra' essere applicata nei seguenti casi:

- danno dovuto al cattivo ed improprio utilizzo della carrozzina,
- danno subito durante il trasporto,
- incidente o caduta,
- smontaggio, modifica, o riparazione effettuate in proprio,
- usura abituale della carrozzina,
- invio del tagliando di garanzia con la data di acquisto.



VERMEIREN



**GARANTÍA
GARANTIE
WARRANTY
GARANTIE
GARANZIA**

N.V. VERMEIREN N.V. Tel.: 00 32 (0)3 620 20 20
VERMEIRENPLEIN 1-15 Fax: 00 32 (0)3 666 48 94
B-2920 Kalmthout www.vermeiren.com

B

Naam/Nom/Name
Name/Nome

Adres/ Adresse/Address
Adresse/Indirizzo

Woonplaats/Domicile/Home
Wohnort/Citta

E-mail

Artikel/Article/Article
Artikel/Articolo

Reeks nr./N° de série/Serie nr.
Serien-Nr./No. di serie

Aankoopdatum/Date d'achat/Date of purchase
Kaufdatum/Data di acquisto

Stempel verkoper/Timbre du vendeur
Dealer stamp/Händlerstempel
Timbro del rivenditore

A

Nombre/Nom/Name
Name/Nome

Dirección/Adresse/Address
Adresse/Indirizzo

Ciudad/Domicile/Home
Wohnort/Citta

E-mail

Artículo/Article/Article
Artikel/Articolo

Núm. de serie/N° de série/Serie nr.
Serien-Nr./No. di serie

Fecha de adquisición/Date d'achat/Date of purchase
Kaufdatum/Data di acquisto

Sello del distribuidor /Timbre du vendeur
Dealer stamp/Händlerstempel
Timbro del rivenditore

CONTRATO DE GARANTÍA

Garantía de 5 años para sillas de ruedas estándar. Garantía de 4 años para las sillas de ruedas ligeras. Garantía de 2 años para las sillas de ruedas eléctricas, triciclos, cammas y otros productos. (las baterías tienen una garantía de 6 meses). Garantía de 3 años para las sillas de ruedas multi-posición. Esta garantía se limita a la sustitución de las piezas defectuosas o recambios.

CONDICIONES DE APLICACIÓN

Para reclamar esta garantía, debe de entregar a su distribuidor oficial de Vermeiren el apartado "B" de esta tarjeta. La garantía sólo es válida cuando las piezas son sustituidas por Vermeiren Bélgica.

EXCEPCIONES

- Esta garantía no es válida en caso de:
- Daños debidos a un uso incorrecto de la silla de ruedas.
 - Daños durante el transporte.
 - Involucración en un accidente.
 - Desmontaje, modificación o reparación que no haya sido realizada por nuestra compañía y / o distribuidor oficial de Vermeiren.
 - Desgaste normal de la silla de ruedas.
 - Que no se entregue la tarjeta de garantía

GARANTIE CONTRACTUELLE

Les fauteuils manuels standard sont garantis 5 ans, les fauteuils ultra légers 4 ans. Les fauteuils électroniques, tricyclos, lits et d autres produits: 2 ans contre tous vices de construction ou de matériaux (batteries 6 mois).

Cette garantie est expressément limitée au remplacement des éléments ou pièces détachées reconnues défectueuses.

CONDITIONS D'APPLICATION

Pour prétendre à cette garantie, il faut présenter le certificat de garantie que vous avez conservé à votre distributeur Vermeiren. La garantie est uniquement valable au siège de la société.

RESERVES

- Cette garantie ne pourra être appliquée en cas de:
- dommage dû à la mauvaise utilisation du fauteuil,
 - endommagement pendant le transport,
 - accident ou chute,
 - démontage, modification ou réparation fait en dehors de notre société,
 - usure normale du fauteuil,
 - non retour du coupon de garantie.

CONTRACTUAL WARRANTY

We offer 5 years of warranty on standard wheelchairs, lightweight wheelchairs 4 years. Electronic wheelchairs, tricycles, beds and other products: 2 years (batteries 6 months) and multipoition wheelchairs 3 years. This warranty is limited to the replacement of defective or spare parts.

APPLICATION CONDITIONS

In order to claim its warranty, part "B" of this card has to be given to your official Vermeiren dealer. The warranty is only valid when parts are replaced by Vermeiren in Belgium.

EXCEPTIONS

- This warranty is not valid in case of:
- damage due to incorrect usage of the wheelchair,
 - damage during transport,
 - involvement in an accident,
 - a dismount, modification or repair carried outside of our company and/or official Vermeiren dealership,
 - normal wear of the wheelchair,
 - non-return of the warranty card

GARANTIEERKLÄRUNG

Wir garantieren, dass für unsere Rollstühle hochwertige Produkte verwendet werden, die in sorgfältiger Verarbeitung nach dem neuesten Stand der Technik montiert werden. Bevor Ihr Rollstuhl unser Werk verlassen hat, wurde er einer eingehenden Endkontrolle unterzogen, um auch letzte, eventuell vorhandene Mängel aufzuspüren.

Auf Standardrollstühle gewähren wir eine Garantie von 5 Jahren, auf Leichtgewichtrollstühle 4 Jahre, auf elektronische Rollstühle, Dreiräder, Betten und andere Produkte: 2 Jahre (Batterien 6 Monate), auf Multifunktionsrollstühle 3 Jahre.

In dieser Garantie eingeschlossen sind alle Mängel, die auf einen Produkt- oder Verarbeitungsfehler zurückzuführen sind. Dieser Garantie unterliegen keine Schäden aus unsachgemäßer Benutzung. Ebenfalls sind Verschleißteile von der Garantie ausgenommen.

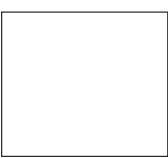
Sollte einmal der Fall eingetreten sein, dass Sie aus berechtigtem Grunde mit Ihrem Rollstuhl unzufrieden sind, so wenden Sie sich bitte unverzüglich an Ihren Fachhändler. Er wird sich in enger Zusammenarbeit mit uns darum bemühen, eine für Sie zufriedenstellende Lösung zu finden.

A

- Por favor entéguelo en el plazo de 8 días a partir de la fecha de compra o registre su producto en nuestra página web, <http://www.vermeiren.be/registration>
- à renvoyer dans les 8 jours après achat ou régistrez votre produit sur notre site, <http://www.vermeiren.be/registration>
- please return within 8 days of date of purchase or register your product at our website, <http://www.vermeiren.be/registration>
- zurückschicken innerhalb von 8 Tagen nach kauf oder registrieren Sie Ihr Produkt auf unserer website, <http://www.vermeiren.be/registration>
- da restituire entro 8 giorni dalla data di acquisto o registri il vostro prodotto al nostro web site, <http://www.vermeiren.be/registration>

B

- en caso de reparación, por favor, añada el apartado "B".
- en cas de réparation, veuillez ajouter la carte "B".
- in case of repair, please add part "B".
- im Falle einer Reparatur, Karte "B" beifügen
- in case di riparazione, rispediteci la carta "B".



N.V. VERMEIREN N.V.
Vermeirenplein 1/15
B-2920 Kalmarhout
BELGIUM





SERVICE

The comfort chair was serviced:
Le fauteuil de repos a été contrôlé:
De comfortstoel is gecontroleerd:

Das Komfortstuhl wurde überprüft:
La sedia comfort è stat ispezionata:
El sillón de descanso si ha sido revisada por:
Z fotel wypoczynkowy był serwisowany:

Dealer's stamp • Cachet du revendeur • Stempel van de handelaar
Händlerstempel • Timbro del rivenditore • Sello del distribuidor •
Dealerzy pieczęć:

Date • Datum • Data • Fecha:

Dealer's stamp • Cachet du revendeur • Stempel van de handelaar
Händlerstempel • Timbro del rivenditore • Sello del distribuidor •
Dealerzy pieczęć:

Date • Datum • Data • Fecha:

Dealer's stamp • Cachet du revendeur • Stempel van de handelaar
Händlerstempel • Timbro del rivenditore • Sello del distribuidor •
Dealerzy pieczęć:

Date • Datum • Data • Fecha:

Dealer's stamp • Cachet du revendeur • Stempel van de handelaar
Händlerstempel • Timbro del rivenditore • Sello del distribuidor •
Dealerzy pieczęć:

Date • Datum • Data • Fecha:

Dealer's stamp • Cachet du revendeur • Stempel van de handelaar
Händlerstempel • Timbro del rivenditore • Sello del distribuidor •
Dealerzy pieczęć:

Date • Datum • Data • Fecha:

Dealer's stamp • Cachet du revendeur • Stempel van de handelaar
Händlerstempel • Timbro del rivenditore • Sello del distribuidor •
Dealerzy pieczęć:

Date • Datum • Data • Fecha:

Dealer's stamp • Cachet du revendeur • Stempel van de handelaar
Händlerstempel • Timbro del rivenditore • Sello del distribuidor •
Dealerzy pieczęć:

Date • Datum • Data • Fecha:

Dealer's stamp • Cachet du revendeur • Stempel van de handelaar
Händlerstempel • Timbro del rivenditore • Sello del distribuidor •
Dealerzy pieczęć:

Date • Datum • Data • Fecha:

Dealer's stamp • Cachet du revendeur • Stempel van de handelaar
Händlerstempel • Timbro del rivenditore • Sello del distribuidor •
Dealerzy pieczęć:

Date • Datum • Data • Fecha:

Dealer's stamp • Cachet du revendeur • Stempel van de handelaar
Händlerstempel • Timbro del rivenditore • Sello del distribuidor •
Dealerzy pieczęć:

Date • Datum • Data • Fecha:

- For service checklists an additional technical information, please see our specialist dealers nearest to you. More information on our website at: www.vermeiren.com.
- Les listes des contrôles à effectuer lors des entretiens de même que toute autre information technique sont disponibles auprès de nos filiales. Pour de plus amples informations, consultez le site: www.vermeiren.fr.
- Servicelijsten en andere technische informatie kunt u aanvragen bij onze vestigingen. Meer informatie vindt u ook op: www.vermeiren.be.
- Servicechecklisten und weitere technische Informationen erhalten Sie über unsere Niederlassungen. Informationen unter: www.vermeiren.de, www.vermeiren.at, www.vermeiren.ch.
- Gli elenchi di controllo di manutenzione e ulteriori informazioni tecniche sono disponibili presso le nostre filiali. Per informazioni consultare il sito: www.vermeiren.com.
- Para un servicio de revisión o información técnica adicional, por favor, consulte a nuestros distribuidores especialistas más cercanos. Más información en nuestra página web: www.vermeiren.com.
- Po dodatkowe informacje techniczne oraz listę części zamiennych proszę się kontaktować z naszym wyspecjalizowanymi dystrybutorami w pobliżu miejsca zamieszkania. Więcej informacji na naszej stronie www.vermeiren.pl.



Notes

A series of horizontal dotted lines for taking notes.

Belgium

N.V. Vermeiren N.V.

Vermeirenplein 1 / 15
B-2920 Kalmthout
Fax: +32(0)3 666 48 94
website: www.vermeiren.be
e-mail: info@vermeiren.be

France

Vermeiren France S.A.

Z. I., 5, Rue d'Ennevelin
F-59710 Avelin
Tel: +33(0)3 28 55 07 98
Fax: +33(0)3 20 90 28 89
website: www.vermeiren.fr
e-mail: info@vermeiren.fr

Italy

Vermeiren Italia

Viale delle Industrie 5
I-20020 Arese MI
Tel: +39 02 99 77 07
Fax: +39 02 93 58 56 17
website: www.vermeiren.it
e-mail: info@vermeiren.it

Poland

Vermeiren Polska Sp. z o.o

ul. Łączna 1
PL-55-100 Trzebnica
Tel: +48(0)71 387 42 00
Fax: +48(0)71 387 05 74
website: www.vermeiren.pl
e-mail: info@vermeiren.pl

Czech Republic

Vermeiren ČR S.R.O.

Nádražní 132
702 00 Ostrava 1
Tel: +420 596 133 923
Fax: +420 596 121 976
website: www.vermeiren.cz
e-mail: info@vermeiren.cz

Germany

Vermeiren Deutschland GmbH

Wahlerstraße 12 a
D-40472 Düsseldorf
Tel: +49(0)211 94 27 90
Fax: +49(0)211 65 36 00
website: www.vermeiren.de
e-mail: info@vermeiren.de

Austria

Vermeiren Austria GmbH

Schärddinger Strasse 4
A-4061 Pasching
Tel: +43(0)7229 64900
Fax: +43(0)7229 64900-90
website: www.vermeiren.at
e-mail: info@vermeiren.at

Switzerland

Vermeiren Suisse S.A.

Hühnerhubelstraße 59
CH-3123 Belp
Tel: +41(0)31 818 40 95
Fax: +41(0)31 818 40 98
website: www.vermeiren.ch
e-mail: info@vermeiren.ch

Spain / Portugal

Vermeiren Iberica, S.L.

Carratera de Cartellà, Km 0,5
Sant Gregori Parc Industrial Edifici A
17150 Sant Gregori (Girona)
Tel: +34 972 42 84 33
Fax: +34 972 40 50 54
website: www.vermeiren.es
e-mail: info@vermeiren.es